



**Kubota BX 70 Series Cab
(fits BX2370, BX2670, and BX25D)
(p/n: 1KBX70AS Steel Cab)
(p/n: 1KBX70SS Vinyl Cab)**

The contents of this envelope are the property of the owner.
Be sure to leave with the owner when installation is complete.

APPROXIMATE INSTALLATION TIME: 4 HOURS
(excluding accessories)



Steel Cab Shown

Standard equipment: Front Windshield Wiper.

Options available:

- Interior Rear View Mirror (not shown) (p/n: 9PM3)
- 85 Degree Rear Wiper (20" Blade) (p/n: 9PWK8520F)
- 3" x 5" Oval LED Front Work lights (p/n: 9LEDW2)
- Heater (p/n: 9PH20S18) (18 and 23 hp engines)
- Heater (p/n: 9PH20S40) (26 hp engine)
- LED Strobe Light (p/n: 9LEDS2)
- Exterior Side View Mirrors (not shown) (9PM5)
- Fuse Block Switch Panel (not shown) (9PSF1)
- Front Plow/Blade (not shown) (1KBXFELB)




Rev. D
08/19/2016
p/n: IM-1KBX70

NOTICE

Cabs, blades, and general accessories add additional weight to the base vehicle. Deduct the accessory's total weight from the vehicle's rated capacity including driver and passenger.



WARNING *Exposure to Carbon Monoxide can Cause illness, serious injury or death. Never operate vehicle if suspicious of Carbon Monoxide. Inspect exhaust system for leaks monthly. Leaks can result from loose connections, corrosion, cracks or other damage to the exhaust manifold. If leaks are found, repair or replace exhaust system. Do not use vehicle until repair or replacement is complete.*

⚠ WARNING	
Serious Injury or Death	
	This cab enclosure does not provide protection from rollover or other accidents.
	This cab enclosure does not provide protection from flying objects including golf balls.
	This cab enclosure does not provide protection from lightning. When lightning threatens take cover and do not operate vehicle.

GENERAL INFORMATION BEFORE YOU START**HELPFUL HINTS:**

- A. Refer to parts diagram toward the back of this manual to help identify parts during the assembly process.
- B. To assist with the cab installation, leave all bolts loose for later adjustment unless otherwise specified.
- C. Read and understand all instructions before beginning.
- D. Apply a silicone sealant to seal any minor gaps that may occur due to vehicle variations.
- E. Use caution to avoid damaging the factory installed threaded inserts. Begin the bolt engagement by hand to guard against potential cross threading.
- F. Verify all hardware and cab parts are accounted for before beginning.

TOOLS REQUIRED:

Set of Standard Sockets (3/8" Drive)
 One 3/8" Drive Ratchet
 Long Socket Extension
 Set of Standard Open End Wrenches
 Set of Metric Open End Wrenches
 Set of Standard Allen Wrenches
 #2 and #3 Phillips Head Screwdrivers
 Grease
 Bar Clamp

CARE AND MAINTENANCE:

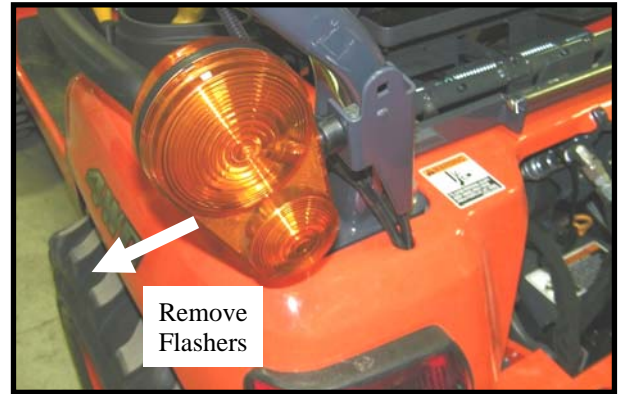
Check and tighten hardware after 40 hours of operation. Periodically inspect and tighten hardware for the remainder of the unit's life.

Wash with a mild soap or detergent using your bare hands to free or dislodge any caked-on dirt or other foreign particles.

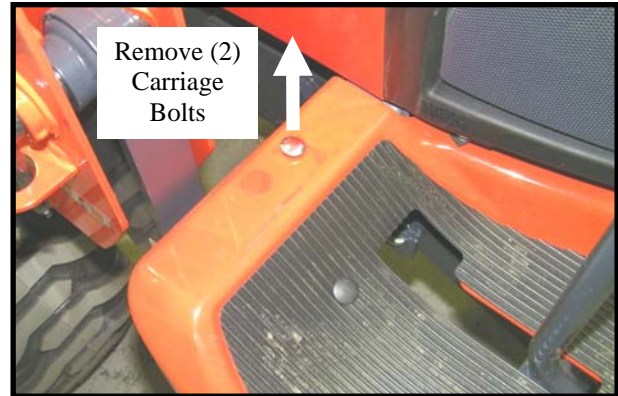
Do Not use Windex or any other chemicals to clean plastic windows or vinyl components.

Be sure to regularly grease door hinge pins. Also lubricate moving parts in the door latches.

1. Disconnect the wiring and remove the amber flashers from the mounts on the tractor. (They will be reinstated onto the cab in a later step)



2. Remove and discard the two carriage bolts at the front of the floorboard on either side of the hood. (Note: Use a socket extension for easiest access to the nut on the underside)

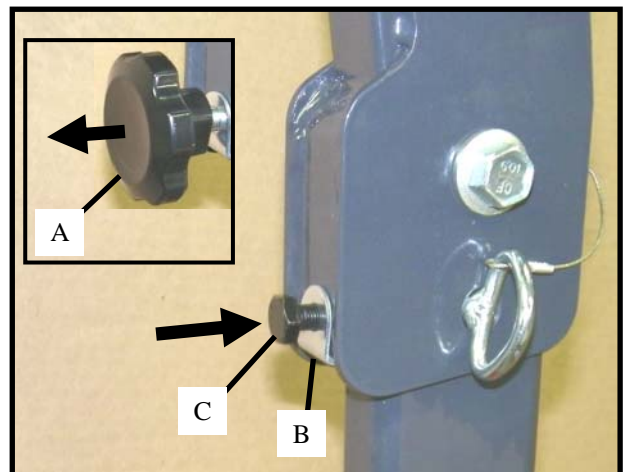


3. Remove and discard the two outer rear pine tree clips holding the floormat.



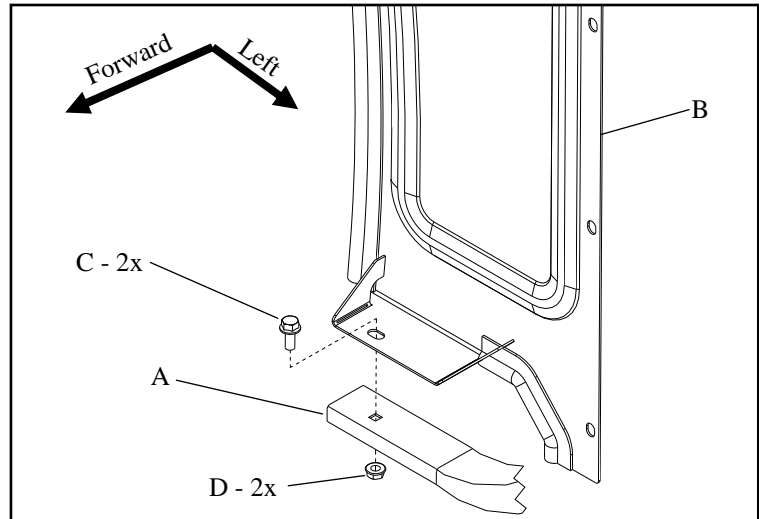
4. Remove and discard the two knobs from the ROPS. Replace with the supplied bolts making sure to properly reinstall the U-shaped retainer bracket that was removed with the knob.

Ref:	Qty:	Description:
A	2	Knob
B	2	U-Shaped Retainer Bracket
C	2	M10 x 1.25 x 25mm Hex Bolt



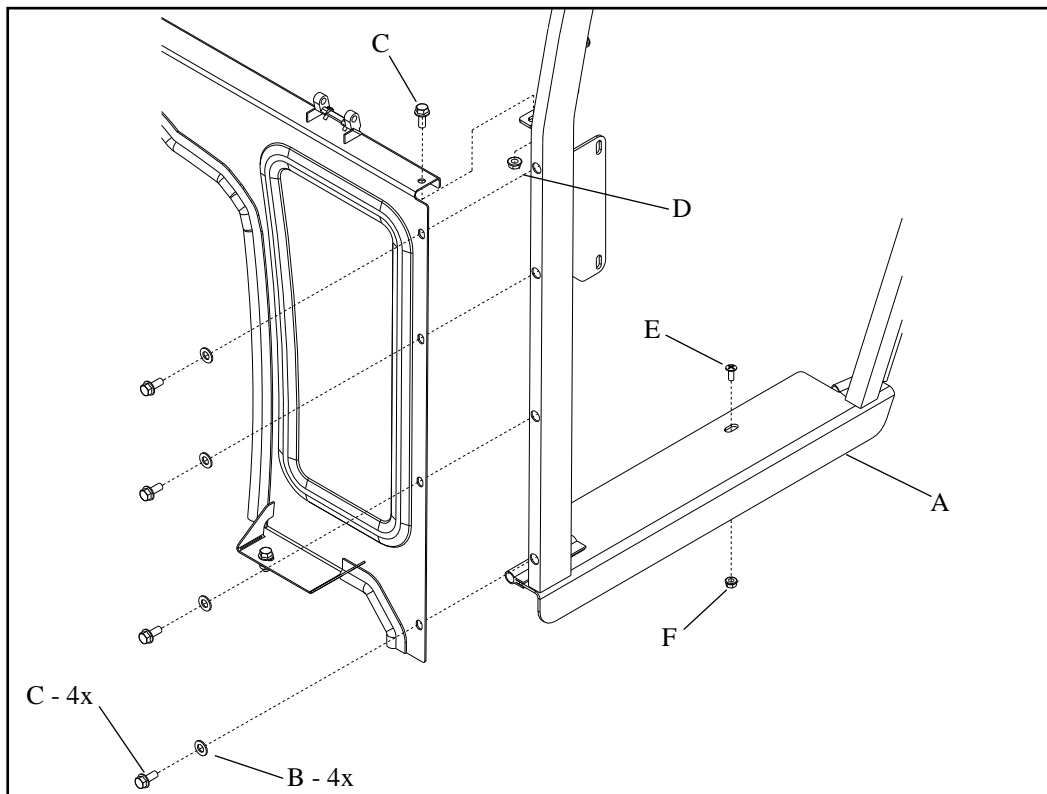
5. Install the cowl over the front of the instrument panel and attach to the floorboard. (Note: Leave bolts finger tight)

Ref:	Qty:	Description:
A	-	Front of Tractor Floorboard
B	1	Cowl
C	2	5/16-18 x 3/4" Flange Bolt
D	2	5/16-18 Flange Nut (Locking)



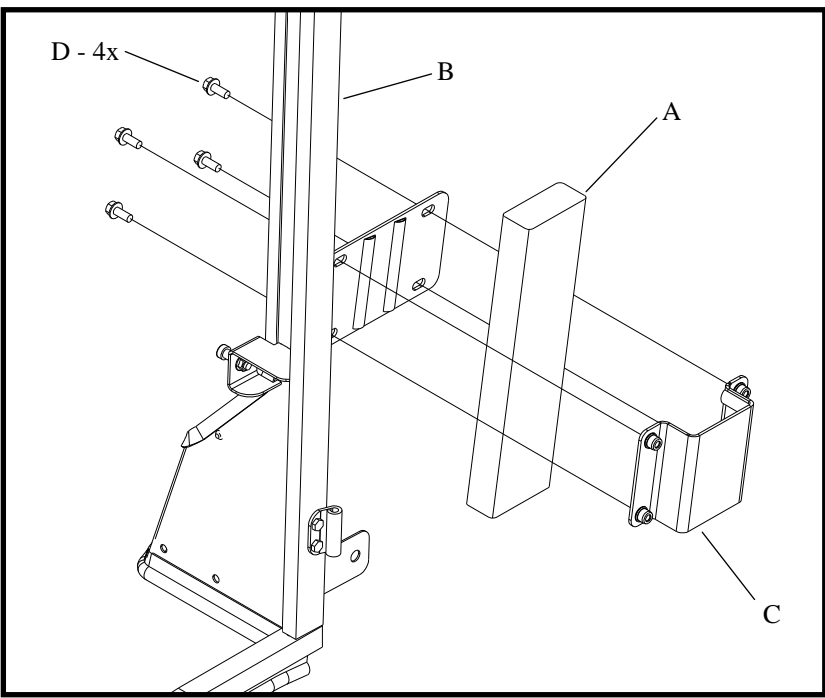
6. Install the left sideframe/door assembly making sure that the rear roll bar bracket is positioned on the inside of the ROPS as shown in step 7. (Note: Leave bolts finger tight)

Ref:	Qty:	Description:	Ref:	Qty:	Description:
A	1	Left Sideframe	D	1	5/16-18 Flange Nut (Locking)
B	4	5/16 Black Nylon Washers	E	1	1/4-20 x 3/4" Truss Head Phillips Bolt
C	5	5/16-18 x 3/4" Flange Bolts	F	1	1/4-20 Flange Nut (Locking)



7. Install lower ROPS clamp. (Note: Leave bolts finger tight) A clamp may be used to aid installation.

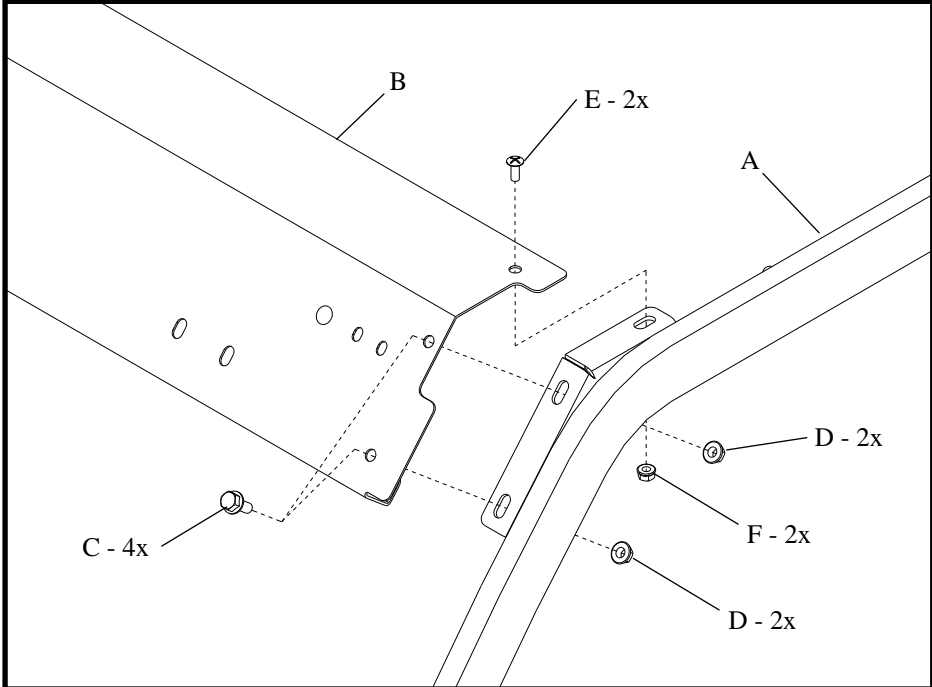
Ref:	Qty:	Description:
A	-	ROPS Bar
B	-	Left Sideframe
C	1	Lower ROPS Clamp
D	4	5/16-18 x 3/4" Flange Bolt



8. Repeat Steps 6 and 7 for Right Sideframe (Note: Leave bolts finger tight)

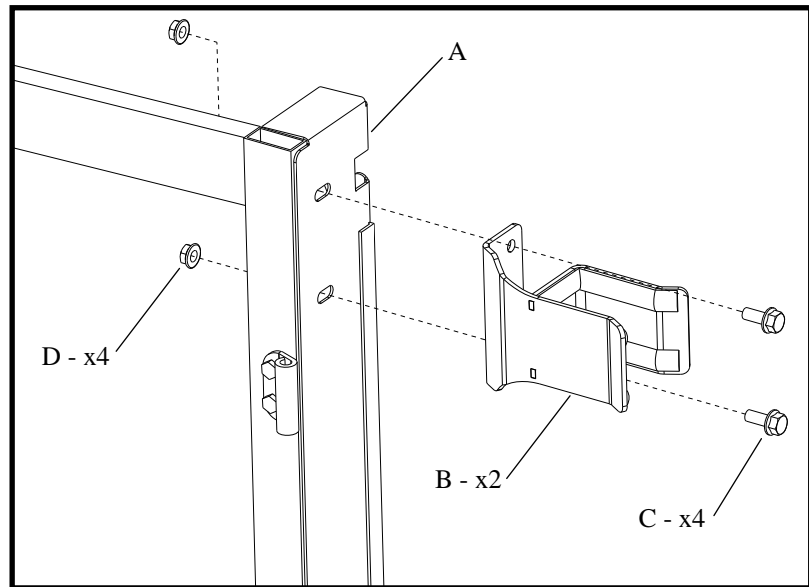
9. Install windshield support (Note: Leave bolts finger tight)

Ref:	Qty:	Description:	Ref:	Qty:	Description:
A	-	Left Sideframe	D	4	5/16-18 Flange Nut (Locking)
B	1	Windshield Support	E	2	1/4-20 x 3/4" Truss Head Phillips Bolt
C	4	5/16-18 x 3/4" Flange Bolt	F	2	1/4-20 Flange Nut (Locking)



10. Install both left and right Upper ROPS Clamps (Left side shown) (Note: Leave bolts finger tight)

Ref:	Qty:	Description:
A	-	Left Sideframe
B	2	Upper ROPS Clamps
C	4	5/16-18 x 3/4" Flange Bolt
D	4	5/16-18 Flange Nut (Locking)



11. Tighten all bolts at this time. Use the sequence described.

2-Bolts attaching the cowl to the tractor floorboard.

8-Bolts on front vertical face of the cowl.

2-Bolts on top horizontal lip of the cowl (clamp top corner of the cowl tight to sideframe tube when tightening)

2-Bolts going into rear floorboard holes.

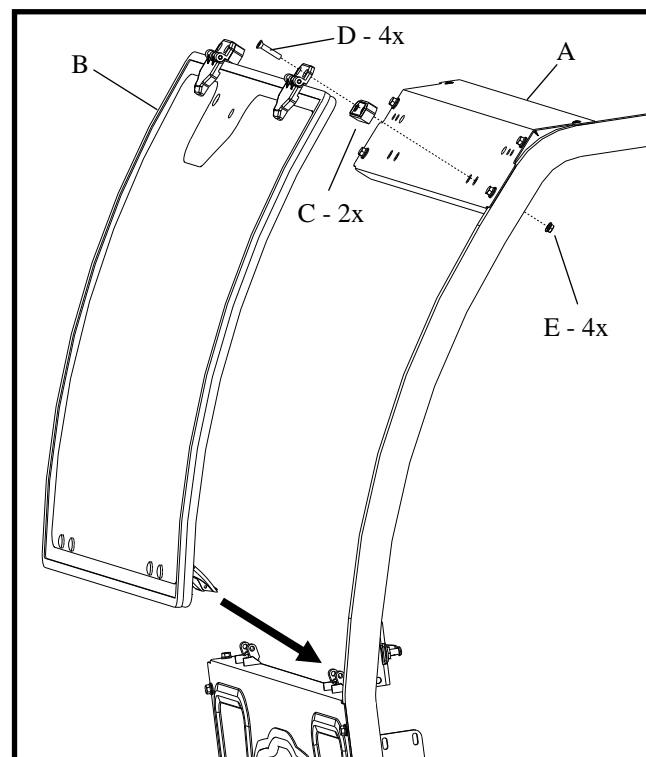
8-Lower ROPS Clamp Bolts

4-Upper ROPS Clamp Bolts (make sure that the inside dimension at the top of the sideframes in the rear measures 33 1/2" or larger when tightening so that the lip bolted to the roof has clearance when the roof is closed)

6-Bolts attaching the windshield support

12. Install windshield to the windshield support.
(Note: leave bolts loose until next step)

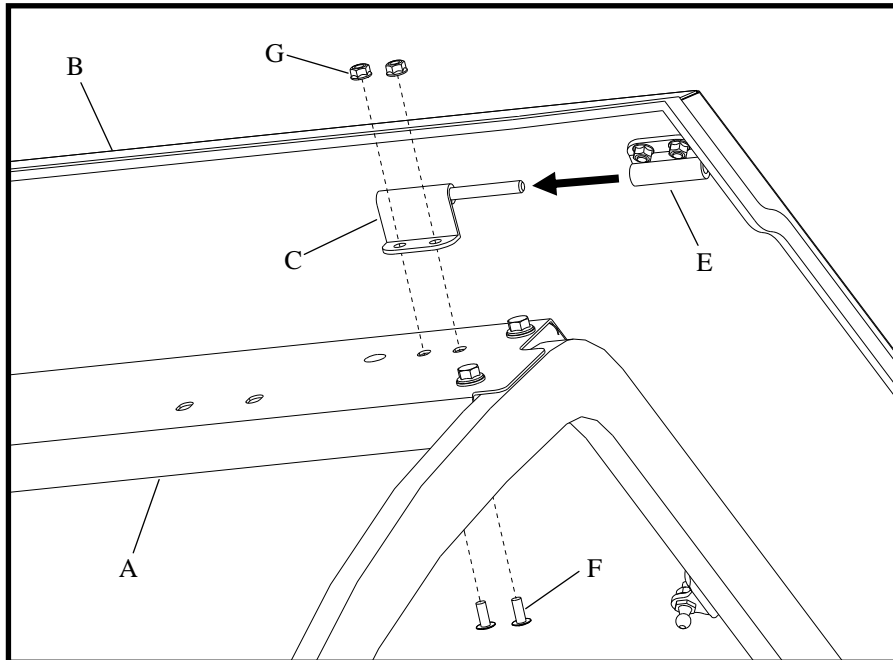
Ref:	Qty:	Description:
A	-	Windshield Support
B	1	Windshield
C	2	Hinge Spacer Block
D	4	5/16-18 x 1 3/4" Flat Head Phillips Bolt
E	4	5/16-18 Flange Nut (Locking)



13. Attach windshield latches to the tabs on the cowl and flip the latches inward to close the windshield tight. With windshield tight, tighten the (4) flat head bolts installed in the previous step. (Caution: Do not over-tighten. Plastic hinges may crack)

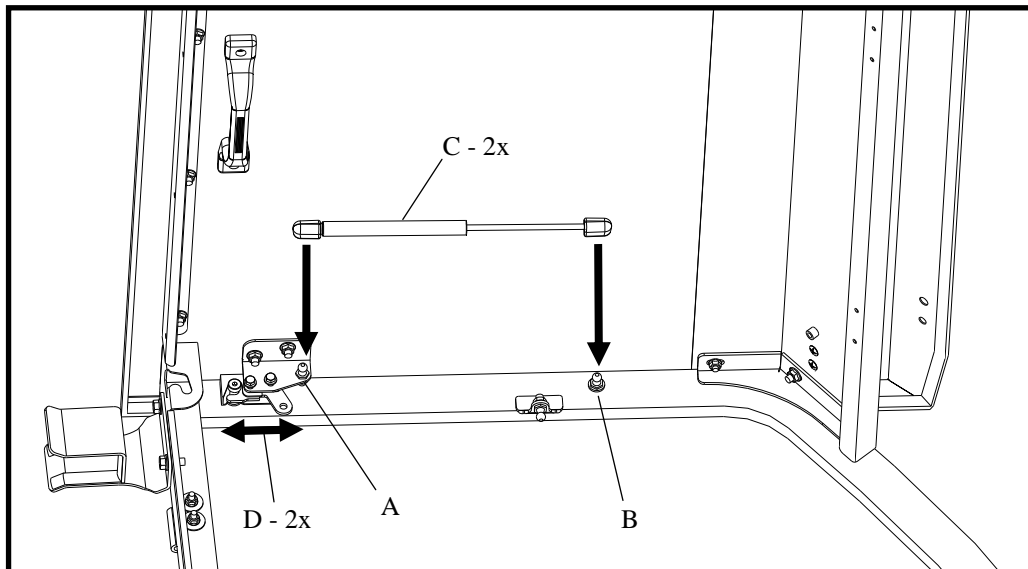
14. Place the roof in position on top of the cab. The latches may not engage properly and will be adjusted in a later step. Install the hinge pins as shown making sure the steel lip bolted to the rear of the roof is centered between the sideframes. To easily adjust the roof, loosen the bolts for the hinge sleeves that were factory installed on the roof and adjust in the mounting slots then tighten.

Ref:	Qty:	Description:	Ref:	Qty:	Description:
A	-	Windshield Support	E	2	Hinge Sleeve (Factory Installed)
B	1	Roof	F	4	1/4-20 x 3/4" Truss Head Phillips Bolt
C	1	Hinge Pin Left (Shown)	G	4	1/4-20 Flange Nut (Locking)
D	1	Hinge Pin Right (Not Shown)			



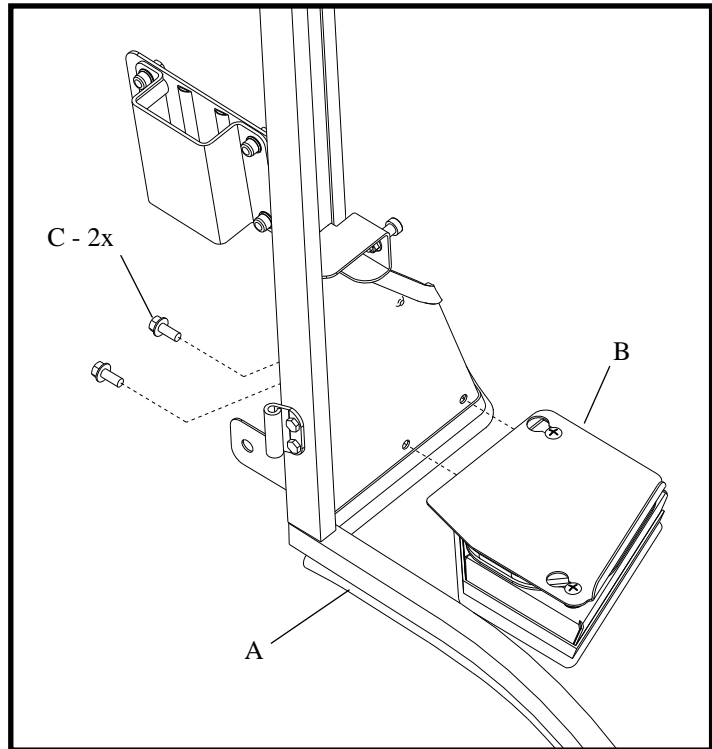
15. Open and close the roof to make sure that the steel lip at the back of the roof does not contact the sideframes. Once this is complete, attach the gas shocks (C) to the ball studs (A) with the thin rod end forwards. Loosen the latch bolts and adjust the latches (D) forwards or backwards in the slots to obtain the best alignment with the pins on the sideframes.

Ref:	Qty:	Description:	Ref:	Qty:	Description:
A	-	Roof Ball Stud	C	2	Gas Shock (500N 13 3/4" Long)
B	-	Sideframe Ball Stud	D	2	Roof Latch



16. Install the fuel cap cover.

Ref:	Qty:	Description:
A	-	Right Sideframe
B	1	Fuel Filler Cover
C	2	5/16-18 x 3/4" Flange Bolt

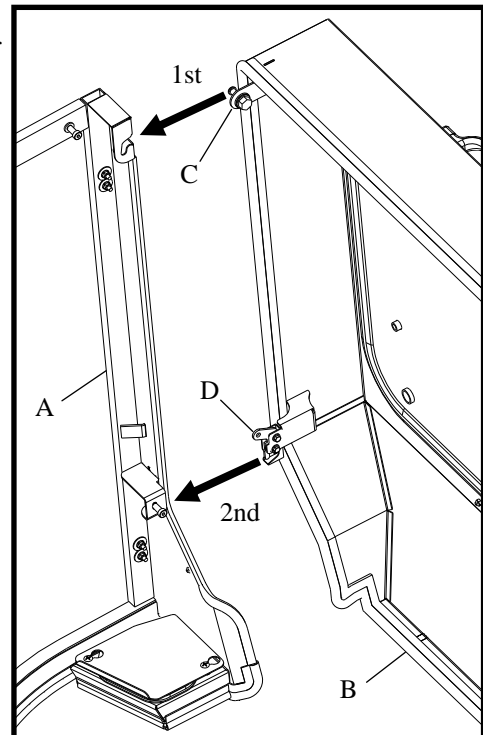


17. Rear panel installation for hard rear panels: (Note: If installing a vinyl rear panel, skip this step)

Note: If the cab is being installed on a tractor with a pivoting seat, the bottom edge of the rear panel must be modified to clear the seat latching bar. Remove the rubber from the bottom edge and break off the two tabs. Re-install the rubber and cut it at the two new openings.

Open the roof and install the rear panel. First, insert the upper pins into the slots on the sideframes. Second, bring the latches in to the pins. Before latching, check to be sure the latches and pins are aligned. The pin is adjustable up and down and the latch forward and backwards.

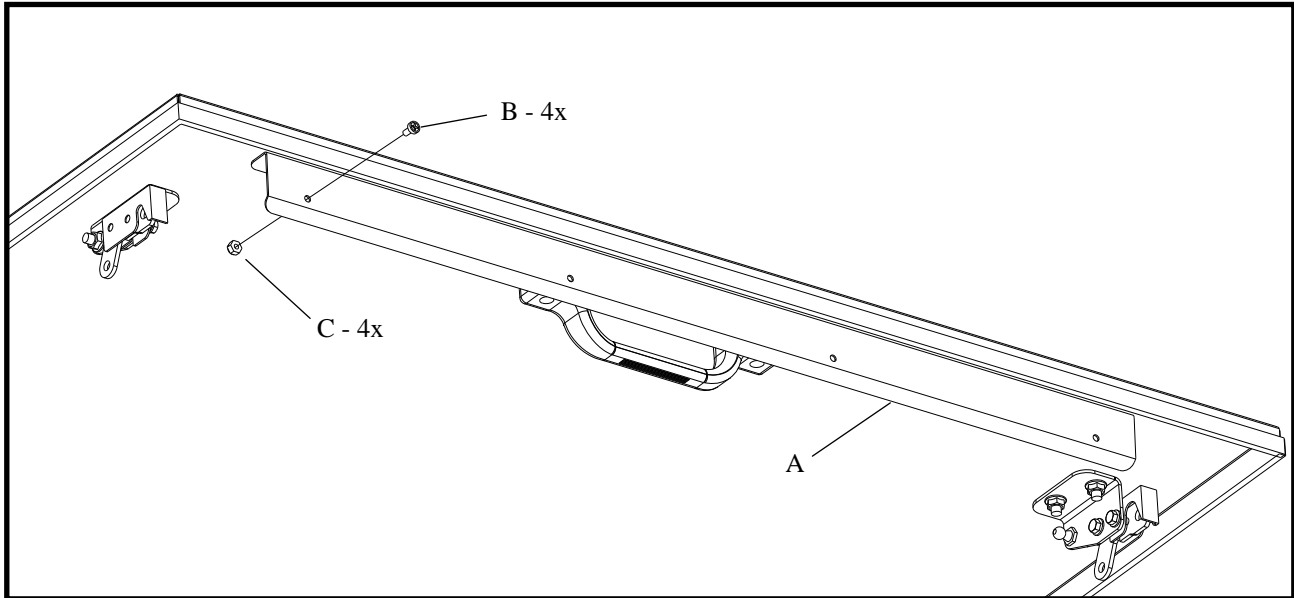
Ref:	Qty:	Description:
A	-	Right Sideframe
B	1	Rear Panel
C	1	Upper Pin
D	1	Latch



18. For vinyl rear panels: (Note: This page is not required if you installed a hard rear panel)

Install (4) snaps along the rear lip of the roof.

Ref:	Qty:	Description:
A	-	Roof Rear Lip
B	4	Snaps
C	4	10-32 Nut (Locking)



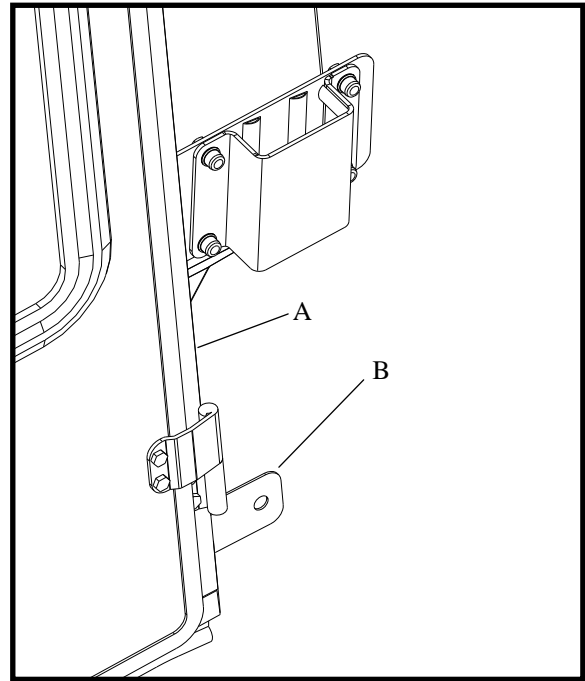
19. Attach the vinyl panel to the (4) snaps and also to the (2) snaps that are factory installed on the sideframes.

20. Using the panel as a guide, clean all areas where adhesive velcro will be attached.

21. Install velcro down each leg of the sideframes and across the rear of the tractor fender behind the seat.

22. Re-install the flashers into the mounting tabs that are welded to the back of the sideframe. Reconnect the wiring.

Ref:	Qty:	Description:
A	-	Left Sideframe
B	1	Flasher Mounting Tab



23. Remove the air intake screen below the steering wheel.

24. **Remove the two plastic air dams at the bottom to allow fresh air to flow to the radiator from underneath the tractor.**

Ref:	Qty:	Description:
A	1	Left Air Dam
B	1	Right Air Dam

25. Reinstall the screen, leaving the knob off.

26. Clean the edge of the screen for good velcro adhesion. Also, be sure the velcro and the screen are at room temperature for best results.

27. Install the vinyl air intake cover with the hole positioned at the threaded stud where the knob was removed. Use the vinyl as a locating guide for the adhesive hook. Re-install the knob at this time.

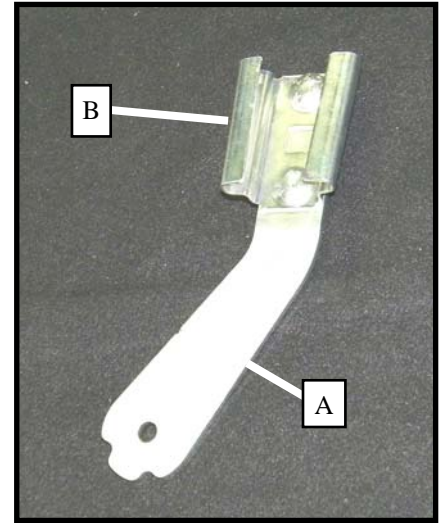


Note: For summer use the vinyl air intake panel should be removed to allow more air flow to the radiator.

28. Remove the SMV bracket from the tractor. Remove the SMV receiver from the bracket and install on the newly supplied SMV bracket.

Ref:	Qty:	Description:
A	-	SMV Bracket
B	-	SMV Receiver

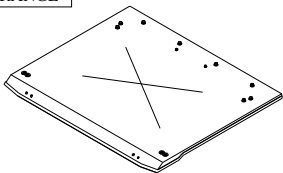
29. Install the new SMV bracket assembly on the tractor using the same OEM hardware.



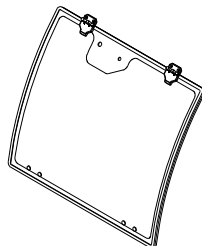
30. Install the windshield wiper per the supplied instructions.

Kubota BX70 Series Hard Sided Cab (p/n: 1KBX70AS)

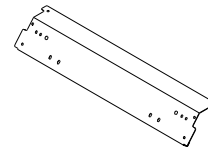
ROOF	QTY.	P/N
KUBOTA ORANGE	1	8SV-BX7001-O3



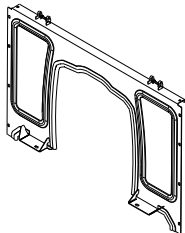
WINDSHIELD	QTY.	P/N
	1	8SV-CI02



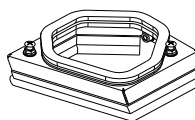
WINDSHIELD SUPPORT	QTY.	P/N
DARK KUBOTA GRAY	1	8SV-BX7003-G3



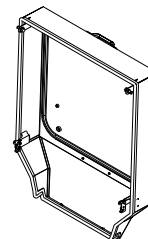
COWL	QTY.	P/N
KUBOTA ORANGE	1	8SV-BX7004-O3



FUEL CAP SHROUD	QTY.	P/N
DARK KUBOTA GRAY	1	8SV-BX7012-G3



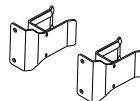
REAR PANEL	QTY.	P/N
KUBOTA ORANGE	1	8SV-BX7006-O3



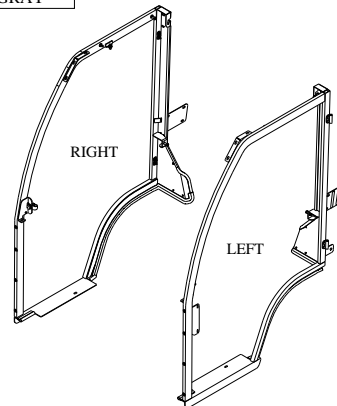
FUEL CAP COVER	QTY.	P/N
KUBOTA ORANGE	1	8SV-BX7013-O3



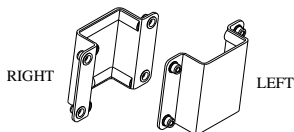
ROPS MOUNT UPPER	QTY.	P/N
DARK KUBOTA GRAY	2	8SV-BX7010-G3



SIDE FRAMES	QTY.	P/N
DARK KUBOTA GRAY	1L	8SV-BX709L-G3
	1R	8SV-BX709R-G3



ROPS MOUNT LOWER	QTY.	P/N
DARK KUBOTA GRAY	1R & 1L	8SV-BX7011-G3



SMV MOUNTING BRACKET	QTY.	P/N
DARK KUBOTA GRAY	1	8SV-BX7014-G3



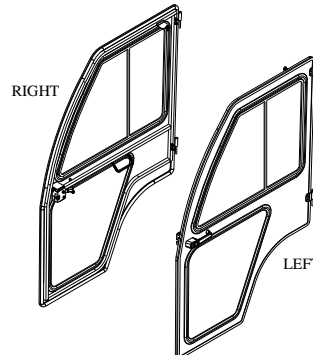
HINGE SPACER KIT	QTY.	P/N
	1	9SV-HWS



HINGE KIT	QTY.	P/N
	1	9SV-HDR1



HARD SIDED DOORS	QTY.	P/N
KUBOTA ORANGE	1L	8SV-BX70AS7L-O3
	1R	8SV-BX70AS7R-O3



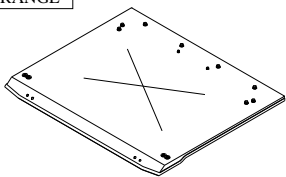
ADDITIONAL SERVICE PARTS		
QTY.:	P/N:	DESCRIPTION:
1	8SV-GL28x31	REAR PANEL WINDOW
1	8SV-PGBX70C	COWL WINDOW
1	8SV-SWCCVL	LEFT DOOR SLIDER WITH RUBBER
1	8SV-SWCCVR	RIGHT DOOR SLIDER WITH RUBBER
1	8SV-BX70LDW	LOWER DOOR WINDOW WITH RUBBER
1	BX70-HWK	HARDWARE KIT (CAB)
1	9SV-GS02Q	QUICK RELEASE GAS SHOCK
1	9SV-GS06	GAS SHOCK (13-3/4") 500N
1	9SV-DHRL	OUTSIDE HANDLE ROTARY LATCH KIT
1	9SV-IHRL	INSIDE HANDLE ROTARY LATCH KIT
1	9SV-HSLP	WINDSHIELD HINGE KIT
1	9SV-WL2	WINDSHIELD LATCH KIT 2
1	9PWM110	WINDSHIELD WIPER MOTOR 110°
1	9PW B20-FB	WIPER BLADE 20" - FLEX
1	8SV-BX7015-VC	AIR INTAKE COVER (BLACK VINYL)

RUBBER TYPES:		
TRIM-LOK 9SV-PR01-20	ARCH PSA 9SV-PR09-10	WINDOW RUBBER 9SV-PR10-10
3/4" SIDE BULB W/ 1/16" GRIP 9SV-PR17-20	5/8" ROUND BULB 9SV-PR02-15	1/2" WEATHER SEAL 9SV-PR20-10
		5/8" SIDE BULB W/ 1/4" GRIP 9SV-PR23-15

Kubota BX70 Series Soft Sided Cab (p/n: 1KBX70SS)

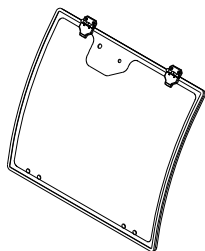
ROOF QTY. P/N

KUBOTA ORANGE 1 8SV-BX7001-O3



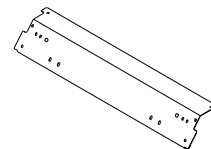
WINDSHIELD QTY. P/N

1 8SV-CI02



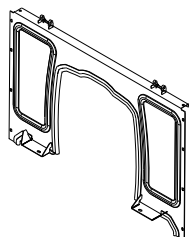
WINDSHIELD SUPPORT QTY. P/N

DARK KUBOTA GRAY 1 8SV-BX7003-G3



COWL QTY. P/N:

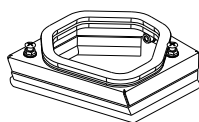
KUBOTA ORANGE 1 8SV-BX7004-O3



FUEL CAP SHROUD QTY. P/N

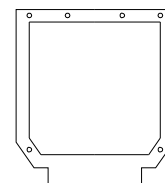
DARK KUBOTA GRAY 1 8SV-BX7012-G3

DARK KUBOTA GRAY



REAR CURTAIN QTY. P/N

BLACK VINYL 1 8SV-BX7006-VC



FUEL CAP COVER QTY. P/N

KUBOTA ORANGE 1 8SV-BX7013-O3

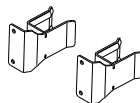
KUBOTA ORANGE



ROPS MOUNT UPPER QTY. P/N

DARK KUBOTA GRAY 2 8SV-BX7010-G3

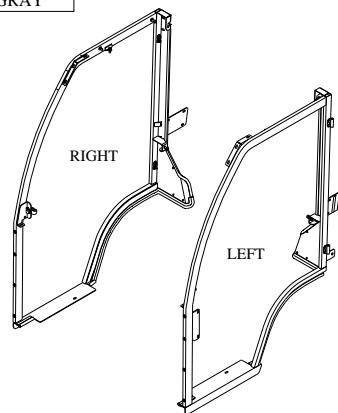
DARK KUBOTA GRAY



SIDE FRAMES QTY. P/N

DARK KUBOTA GRAY 1L 8SV-BX709L-G3
1R 8SV-BX709R-G3

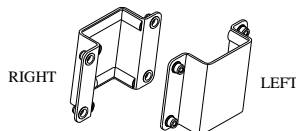
DARK KUBOTA GRAY



ROPS MOUNT LOWER QTY. P/N

DARK KUBOTA GRAY 1R & 1L 8SV-BX7011-G3

DARK KUBOTA GRAY



SMV MOUNTING BRACKET QTY. P/N

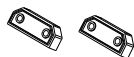
DARK KUBOTA GRAY 1 8SV-BX7014-G3

DARK KUBOTA GRAY



HINGE SPACER KIT QTY. P/N

1 9SV-HWS



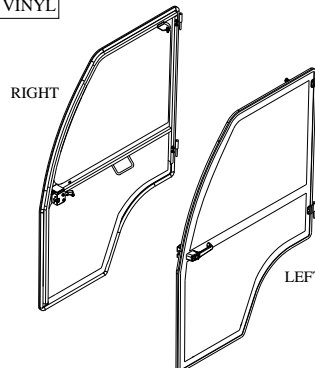
HINGE KIT QTY. P/N

1 9SV-HDR1



SOFT SIDED DOORS QTY. P/N

DARK KUBOTA GRAY AND ORANGE VINYL 1L 8SV-BX70SS7L-VK
1R 8SV-BX70SS7R-VK



ADDITIONAL SERVICE PARTS		
QTY.:	P/N:	DESCRIPTION:
1	8SV-PGBX70C	COWL WINDOW
1	BX70-HWK	HARDWARE KIT (CAB)
1	9SV-DS04	DOOR TETHER (14 INCH W/ HARDWARE)
1	9SV-GS06	GAS SHOCK (13-3/4") 500N
1	9SV-DHRL	OUTSIDE HANDLE ROTARY LATCH KIT
1	9SV-IHRL	INSIDE HANDLE ROTARY LATCH KIT
1	9SV-HSLP	WINDSHIELD HINGE KIT
1	9SV-WL2	WINDSHIELD LATCH KIT 2
1	9PWM110	WINDSHIELD WIPER MOTOR 110°
1	9PWB20-FB	WIPER BLADE 20" - FLEX
1	8SV-BX7015-VC	AIR INTAKE COVER (BLACK VINYL)

RUBBER TYPES:		WINDOW RUBBER
		9SV-PR10-10
TRIM-LOK 9SV-PR01-20	ARCH PSA 9SV-PR09-10	1/2" WEATHER SEAL 9SV-PR20-10
3/4" SIDE BULB W/ 1/16" GRIP 9SV-PR17-20	5/8" ROUND BULB 9SV-PR02-15	5/8" SIDE BULB W/ 1/4" GRIP 9SV-PR23-15