



# L & XL UNIVERSAL ROPS-MOUNT CANOPY



Perfect for any condition!



Universal ROPS Canopy - Black shown  
(PN: 1UTCLO | 1UTC0)

## Versatile | Lightweight Aluminum | Reversible | Universal Fit

### CURTIS CANOPY FEATURES

Lightweight aluminum cover

Weight - Large: 30 lbs | X-Large: 34 lbs

Textured powder-coat finish

Toolless removal in seconds

Integrated handles - quick release latches

Reversible - rear facing for backhoe operation

Adjustable positioning - fits angled or straight ROPS

Easily installs in 30 minutes

Trailable up to 35 mph





# L & XL UNIVERSAL ROPS-MOUNT CANOPY

## Canopy Fitment Requirements:

- Fits square or rectangular ROPS
- 10" of flat surface on top of ROPS
- 2" to 3" ROPS width
- 1.5" to 2.75" ROPS thickness

Canopy adds 4" perpendicular to the flat top surface of the ROPS

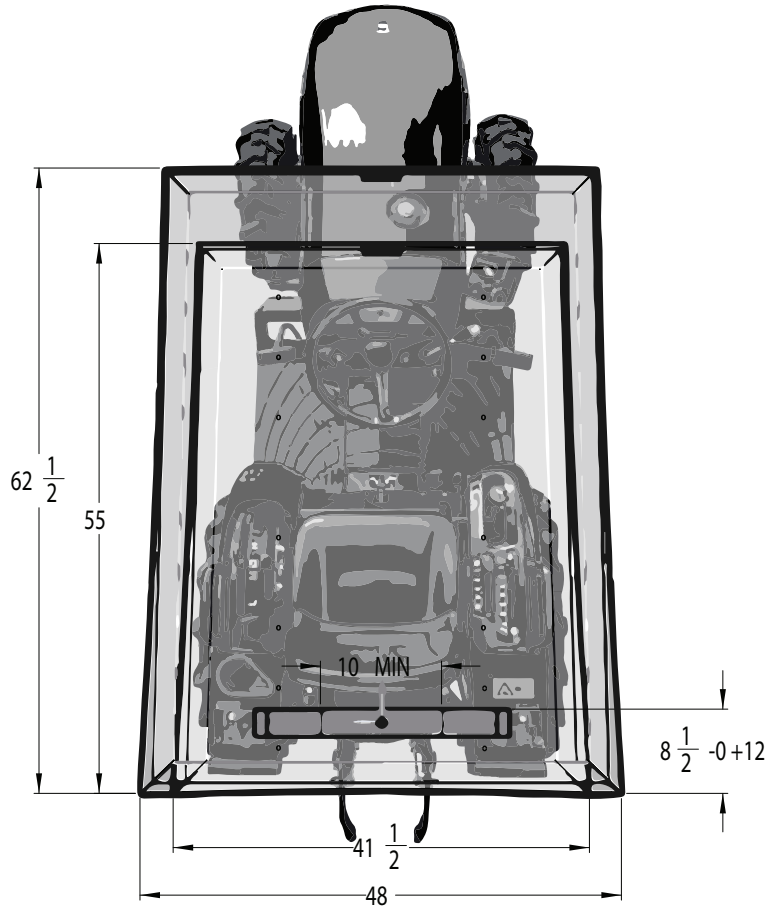
Mounts to compact, sub-compact tractors & zero turn mowers

Canopy shown at furthest back position.

Can be moved forward up to 12".

**L Dimensions:** 56" long and 42" wide at the back, tapering to 37" in the front

**XL Dimensions:** 62" long and 48" wide at the back, tapering to 43 1/2" in the front



Enhancing our Customers' Comfort and Productivity Every Day  More Innovation. More Value.

**Pivot assembly mounts to vehicle ROPS in minutes.**



Get extra Mounts for each of your ROPS vehicles.

**Canopy adjusts 12" (6" forward or back) & angles up to 36 degrees to accommodate operator position.**



AUTHORIZED DEALER

(PN: 1UTCTx | 1UTCLTx)

All brand names are trademarked by their respective companies. Curtis Industries and its products are not endorsed or affiliated with any of these companies.

70 Hartwell Street | West Boylston, MA | 01583 | 508.853.2200 | [www.curtiscab.com](http://www.curtiscab.com)