



Universal Tractor Canopy Latch Hardware Replacement

p/n: 9SV-HWK-00138

INSTALLATION INSTRUCTIONS

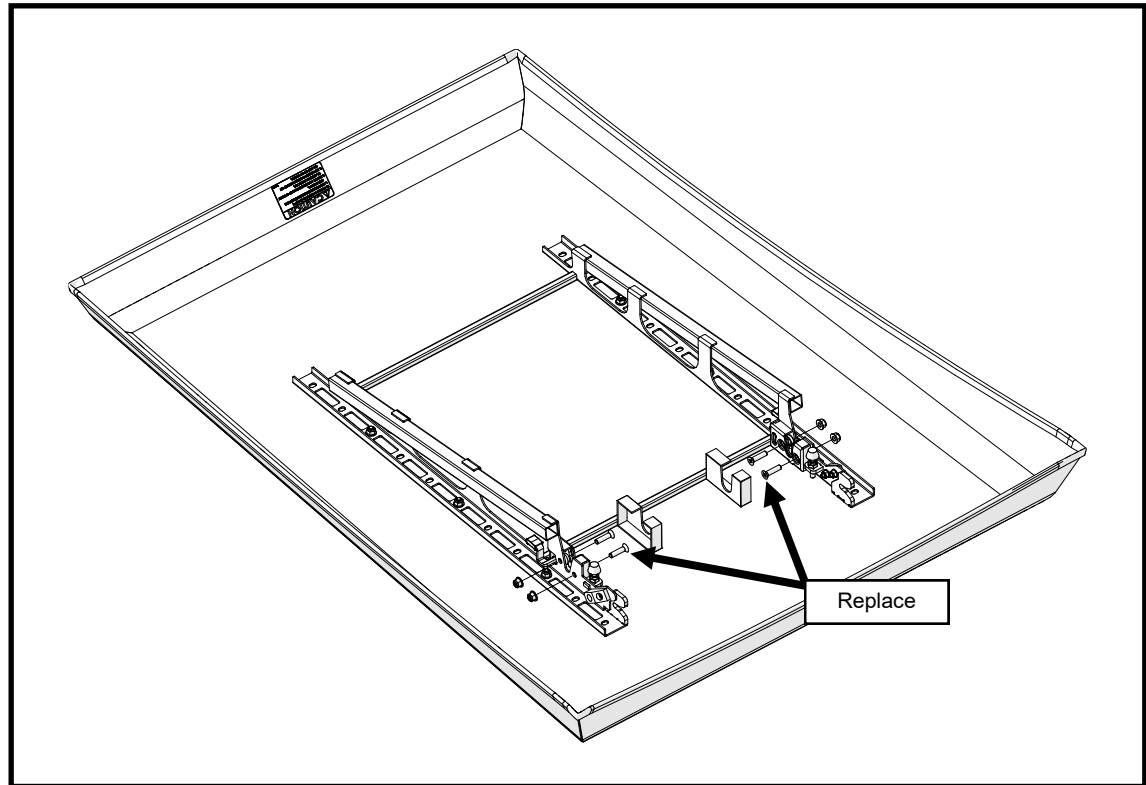


Fig. 1 (Replace Latch Hardware with new hardware (longer bolts))

1. Remove canopy if it is attached to a vehicle and set it upside down on a soft surface to prevent scratching.
2. Remove the left plastic cover for the latch. See Figure 1.
3. Remove and discard the 5/16" Inch Series bolts and nuts and replace with the longer M8 Metric bolts and nuts provided in the kit. **Caution: threads are not identical. Make sure to set aside or discard 5/16" nuts so as to not mistakenly thread onto the M8 bolt and cause a cross-threading condition.**
4. Replace the plastic cover.
5. Repeat steps 2-4 on the right side.
6. Attach the canopy to the Striker Plate and verify the latches will double click. If not, adjust the bumpers accordingly.