

Kawasaki

Assembly Instructions

Part Number	Description	Model	Approx. Assembly Time
99994-0906	Interior Rear View Mirror Kit	Mule SX	15 Minutes

⚠ WARNING

Improper installation of this accessory could result in an accident causing serious bodily injury or death. To prevent an accident, be sure that this accessory is properly and securely installed on your vehicle. If you cannot properly install this accessory yourself, have a professional installer, such as an authorized Kawasaki dealer, install it for you.

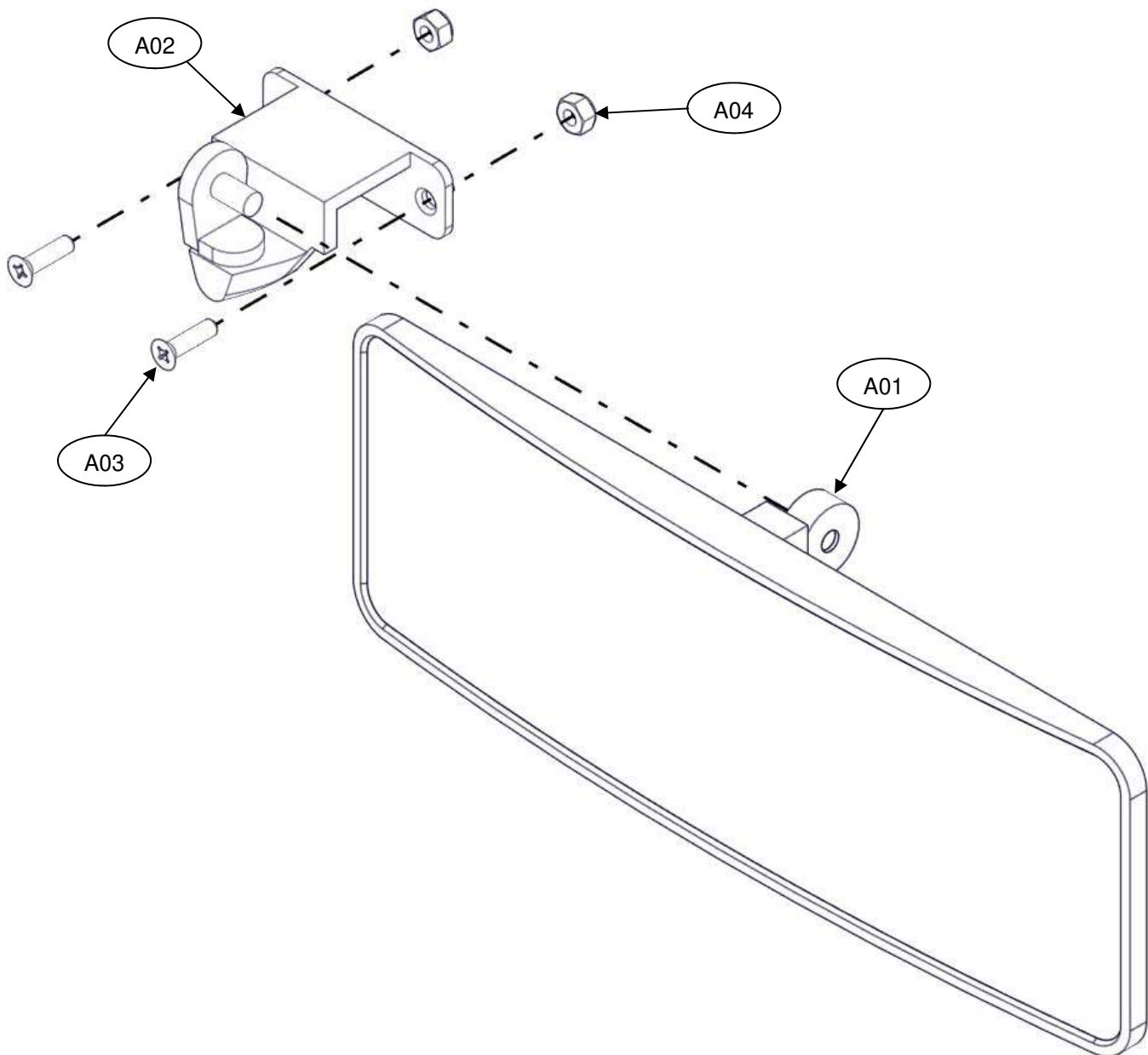
Prior to each use, check to be sure the accessory is securely attached to the vehicle and periodically inspect the accessory for any required adjustment, wear, and damage.

NOTE: Prior to installing this kit, the installation of Cab Enclosure (99994-0849) is required.

Parts List:

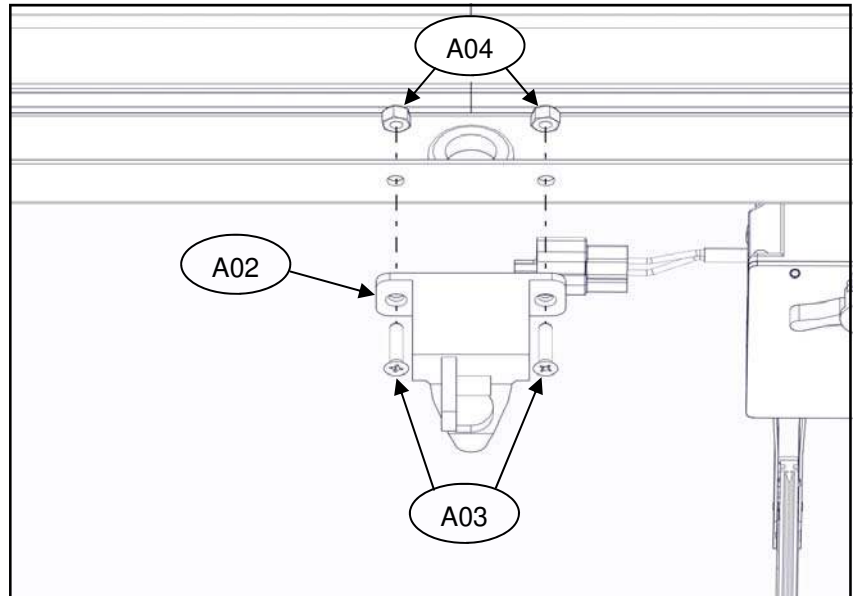
Ref. #	Description	Qty
A01	Rear View Mirror	1
A02	Mirror Mount	1
A03	#10-32 x 3/4" Flat Head Screw	2
A04	#10-32 Hex Nylon Locking Nut	2

Parts Diagram:



Installation Instructions:

1. Park the vehicle on level ground, set the parking brake and turn off the ignition switch.
2. Install the mirror mount (A02) to the windshield support through the predrilled holes in the center of the support with the #10-32x 3/4" Flat head screws (A03) and #10-32 Nyloc nuts (A04).



3. Position mirror (A01) over stud portion of mount (A02) and install nut, do not completely tighten at this time.
4. Adjust mirror for best viewing, now completely tighten finger nut.

