



111 HIGGINS STREET, WORCESTER, MA 01606

KUBOTA B SERIES PHASE II, 23/26/2920 and B3200 (p/n 9PH20S35)
OPTIONAL AUXILIARY HEATER INSTALLATION

HELPFUL HINTS

- A. Back-fill the heater and hoses with coolant.
- B. Add coolant to the reservoir through several heating and cooling cycles to bleed air from the lines.
- C. Leave the heater hanging as far down as possible when bleeding the lines and then mount in position.

HEATER INSTALLATION

- A. Install the heater to the heater mounting bracket located on the left side frame of the cab with the mounting screws on the side of the heater.

HEATER PLUMBING

******CAUTION****** To avoid injury caused by hot engine coolant, make sure engine is completely cooled down before beginning installation of auxiliary heater.

- A. See "Plumbing Connections" on the attached diagram.
- B. The supply line to the heater varies depending on the engine in the particular tractor. 2710, 2910 and 7800 tractors have a plug located below the thermostat that can be removed to install the nipple provided. Other models may require drilling out the blank port below the thermostat housing and tapping it for 3/8" NPT (national pipe thread) to install the nipple. NOTE: some models may require using the 90 degree elbow provided to clear the muffler or other engine components.

******CAUTION****** Remove the thermostat before drilling hole.

Install the nipple and attach the heater hose with as 1" hose clamp. Re-install the thermostat if you had to remove it for drilling. Feed the heater hose from the engine compartment, through the hole in the left side of the front cowl, and up to the heater. Cut to length and attach to heater with 1" hose clamp. Splice into the heater supply line and install the in-line shut-off valve with 1" hose clamps.

****NOTE:** The in-line shut-off valve quickly converts the heater into a summertime blower by preventing hot water from flowing to the heater core.

C. For the return line from the heater, splice into the lower radiator hose with the appropriate size T fitting. Attach the return line to the T with hose clamps and route to the heater and install in the same manner as the supply line.

D. Refill the cooling system making sure to back fill all heater hoses.

E. Bleed all air from the cooling system. The system will not operate correctly with air present in the lines.

ELECTRICAL CONNECTIONS

- A. At installer's discretion, mount the two speed rotary heater switch in desired location.
- B. Install the supplied 18 ga. wires with female bullet connectors to the orange and red heater wires. Route the wires to the switch, cut to length, and install to heater switch with female push on connectors. Connect the ORANGE motor wire to the "H"-high terminal and the RED motor wire to the switch "L"-low terminal. Connect the black wire from the motor to ground.
- C. Install a female push-on connector to the remaining 18 ga. wire and attach to the "B" terminal of the switch. Route the wire to a positive source such as the battery and attach to the source by connecting the wire with a butt connector to the in-line fuse and the appropriate terminal on the other end of the fuse to the power source. ****WARNING**** LEAVE the "C" switch terminal OPEN. This is NOT a ground connection.

CABS/BLADES/ SPREADERS/ACCESSORIES

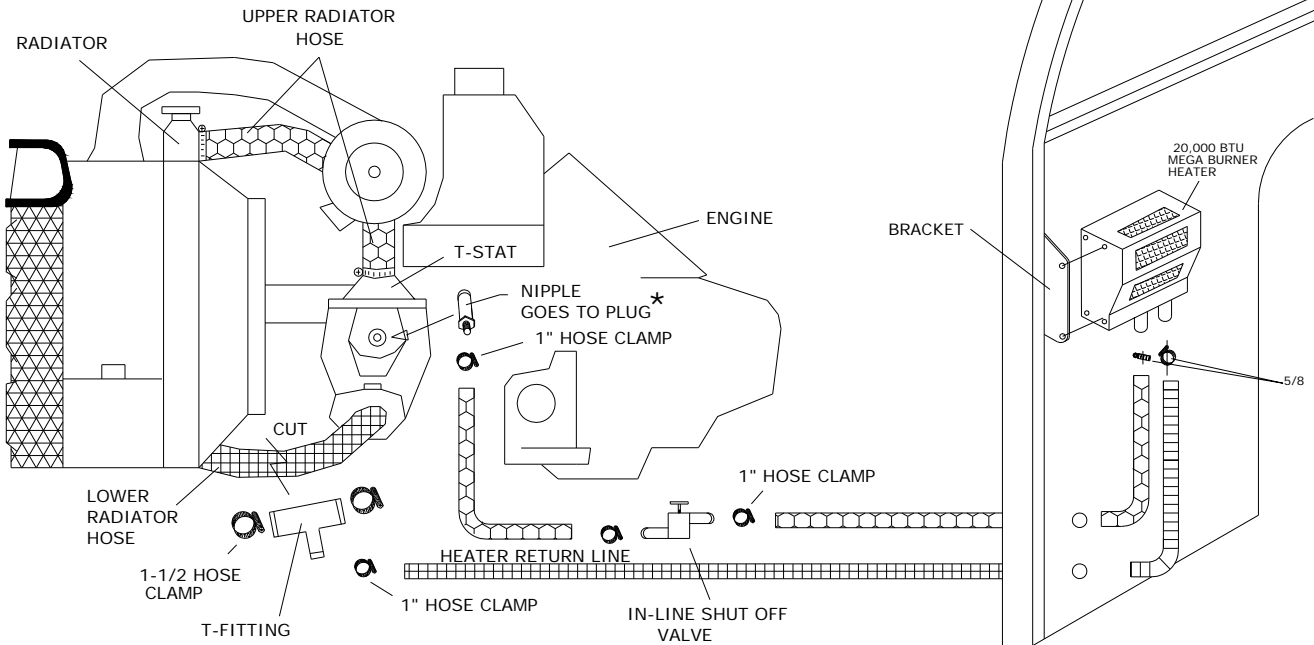
KUBOTA B SERIES PHASE II Heater Kit (p/n: 9PH20S35)

HEATER INSTALLATION--See written instructions for specifics.

HEATER COMPONENTS

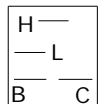
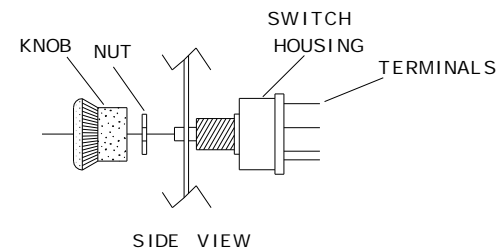
QTY	Description	P/N
1	20,000 BTU Mega Burner Heater	9PH20
1	Heater Manual	N/A
1	12 ft. Heater Hose	9HR0061
1	Rotary Heater Switch	9HR0046
1	Heater Wire Kit	N/A
1	3/8" NPT nipple	9HR0045
6	1" Hose Clamps	9HR0060-1.0
2	1-1/2" Hose Clamps	9HR0060-1.5
1	In-Line Shut Off Valve	9HR0044
1	1-1/4" x 5/8" x 1-1/4" T-fitting	9HR0041
1	1" x 5/8" x 1" T-fitting	9HR0042
1	3/8" NPT Street L	9HR0049

PLUMBING CONNECTIONS



* IF YOUR ENGINE DOES NOT HAVE A PLUG
 DRILL & TAP THERMOSTAT SIDE PORT FOR 3/8" NPT

ROTARY HEATER SWITCH

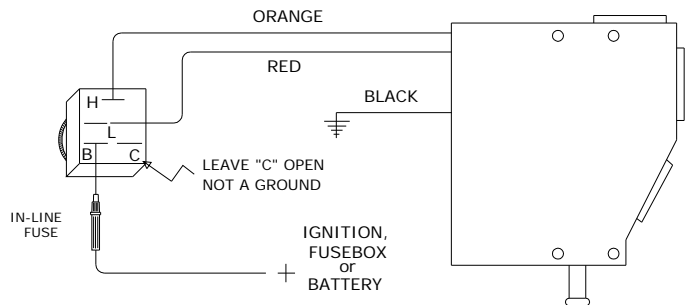


BACK VIEW



FRONT VIEW

ELECTRICAL CONNECTIONS



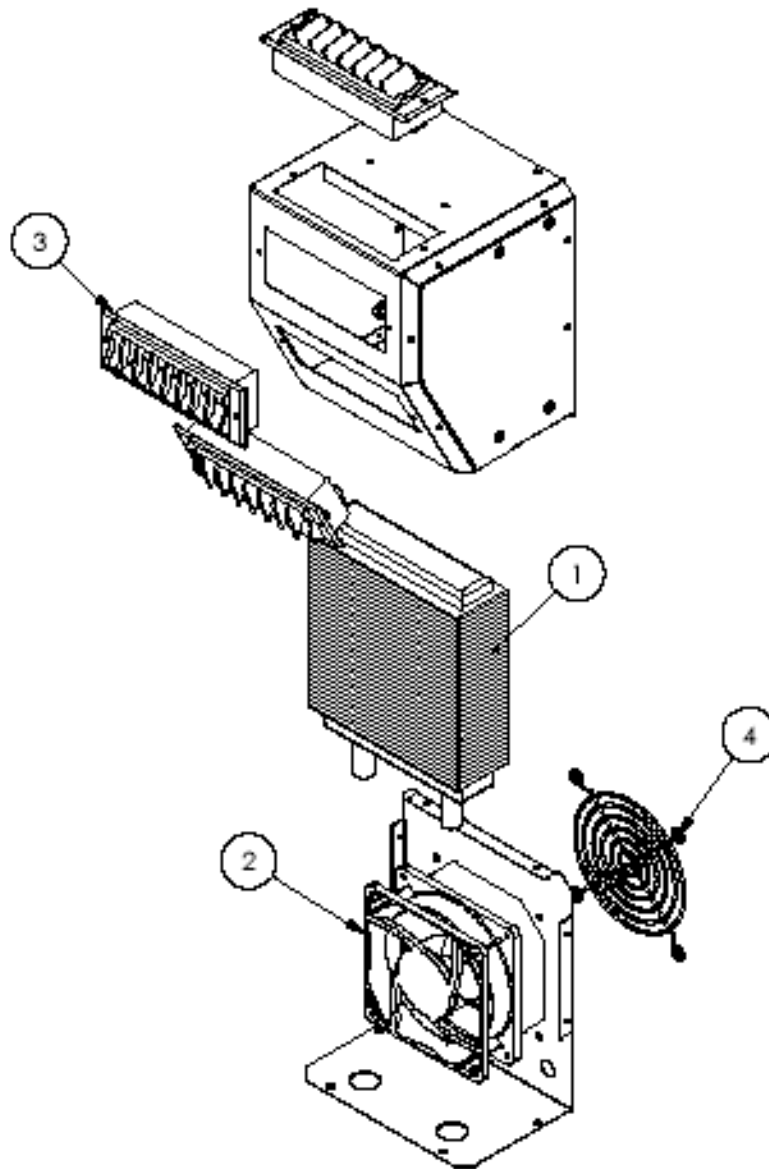


111 HIGGINS STREET, WORCESTER, MA 01606

KUBOTA B SERIES PHASE II (p/n: 9PH20S35)
OPTIONAL AUXILIARY HEATER INSTALLATION

**20,000 BTU MEGA BURNER HEATER
SERVICE PARTS**

<u>ITEM NO.</u>	<u>DESCRIPTION</u>	<u>CODE NO.</u>
1	HEATER CORE - 20,000 BTU	9PH20-1
2	FAN/MOTOR - 20,000 BTU	9PH20-2
3	VENT/LOUVER RECTANGLE	9HR-L
4	FAN GUARD - 20,000 BTU	9PH20-4



CABS/BLADES/ SPREADERS/ACCESSORIES