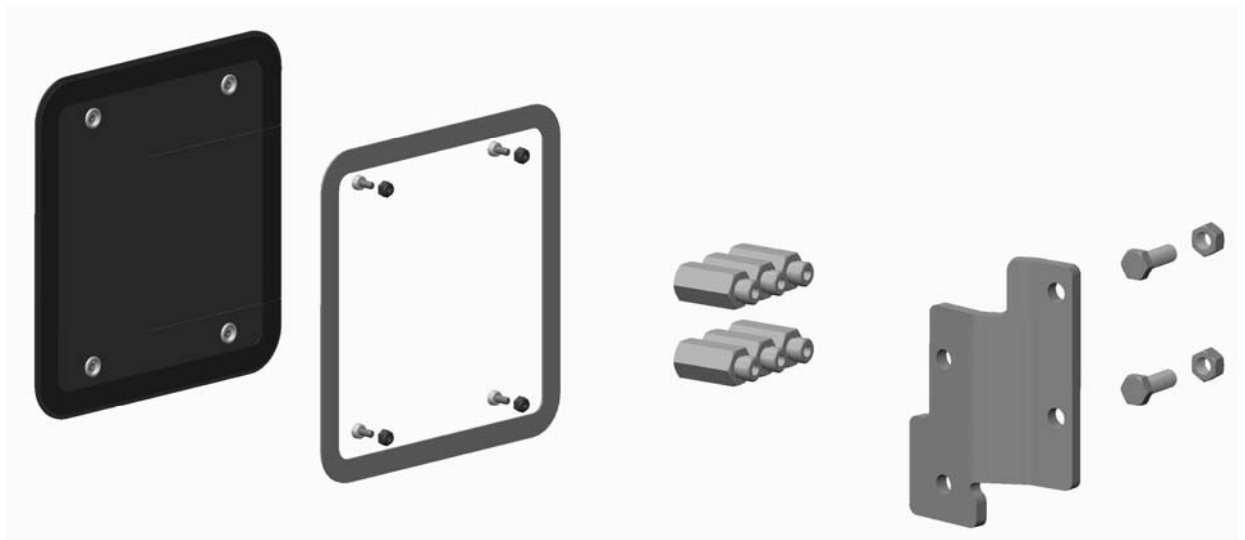




## Kubota L47 Optional Rear Hydraulics Kit p/n: 1KTLBL47HYD

This kit allows the use of the optional rear hydraulics when a cab is installed on the vehicle.



Approximate Installation Time *
Experienced Dealer Technician – 2 Hours
Average Dealer Technician – 2-3 Hours
Do-It-Yourself – 3-4 Hours

(\*=Not including accessories)

Approximate Product Specifications
Weight: 5 lbs.

The contents of this envelope are the property of the owner. Leave with the owner when installation is complete.

Rev. B, 6-15-2018

p/n: IM-1KTLBL47HYD

# TABLE OF CONTENTS

TABLE OF CONTENTS.....	2
INTRODUCTION.....	3
SAFETY INFORMATION.....	3
GENERAL INFORMATION.....	4
INSTALLATION.....	5-6
SERVICE PARTS BREAKDOWN.....	7

# INTRODUCTION

*Curtis cabs feature an assembly of parts designed for your vehicle which require adjustment and alignment of components to accommodate vehicle variations and provide proper weather protection. For accurate installation, proper operation, and years of satisfaction, please read and understand the installation and owner's manual fully prior to installing this kit.*

*From all of us at Curtis, we thank you for choosing our product.*

## SAFETY INFORMATION

### **WARNING:**

- Read and understand this entire manual and any other publications for the equipment being operated.
- Use proper personal protective equipment during all phases of installation, removal and operation.
- Ensure that the surrounding area is clear and that personnel are positioned away from the area where engagement and disengagement of attachments will occur.
- Always shut off engine when leaving the operator's area to perform any portion of the listed procedures.
- **Exposure to Carbon Monoxide can cause illness, serious injury or death.**  
Never operate vehicle if suspicious of Carbon Monoxide. Inspect exhaust system for leaks monthly. Leaks can result from loose connections, corrosion, cracks or other damage to the exhaust manifold. If leaks are found, repair or replace exhaust system. Do not use vehicle until repair or replacement is complete.

California Proposition 65

### **WARNING**

Engine exhaust, some of its constituents, certain vehicle components and fluids, contain or emit chemicals known to the State of California to cause cancer and birth defects or other reproductive harm.

# CARE & MAINTENANCE

1. Remove grease and oil with mineral spirits and a COTTON cloth or chamois.

## GENERAL INFORMATION

**All installation procedures listed within this manual are generally representative of the machine model for which the manual is written.** Your machine may be configured differently (e.g. SP1 vs. SP2, etc.), but the outline for the procedure should still be followed. For further support for any issues not covered within the pages of this manual, please contact Curtis Industries.

### **TOOLS REQUIRED:**

Standard and Metric Wrenches  
Standard and Metric Sockets and Ratchet  
Scissors  
Snips  
Phillips Head Screwdriver

# INSTALLATION

## REQUIRED BEFORE INSTALLATION:

1. Read and understand this entire manual and any other publications for the equipment being operated.
2. Ensure that the surrounding area is clear and that personnel are positioned away from the area where engagement and disengagement of attachments will occur.
3. Always shut off engine when leaving the operator's area to perform any portion of the listed procedures.

## STEP 1: Relocate Rear Remote

Note: If installing a cab on a tractor equipped with rear remote hydraulics do the following:

- 1.1 Unbolt valves from the ROPS (see Figure 1.1). Keep all hardware (two M12 bolts and nuts).
- 1.2 Remove and discard the cover plate on the lower right cab filler by removing (4) 1/4-20 hex bolts as shown in Figure 1.2. Keep the bulb seal installed across the new opening.
- 1.3 Apply edge trim to the newly exposed sheet metal edge to protect hoses as shown in Figure 1.3.
- 1.4 Remove the bulb seal and install the rear hydraulic hoses inside the new opening.
- 1.5 Reinstall the bulb seal across the new opening and continue to install the lower right filler per the cab installation manual.
- 1.6 Skip the step in the cab install manual to install the lower right rear panel window shown in Figure 1.6.

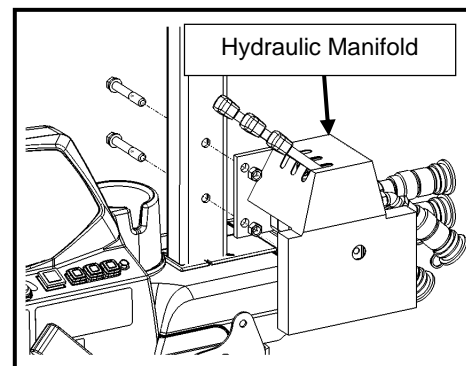


Figure 1.1: Unbolt Hydraulic Manifold

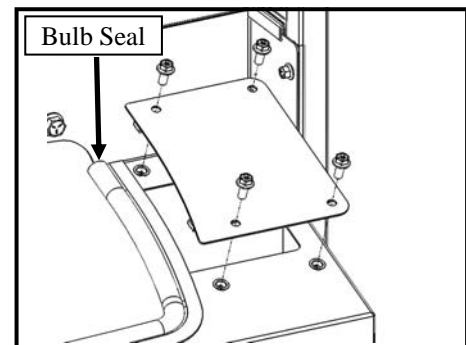


Figure 1.2: Remove Filler Cover Plate

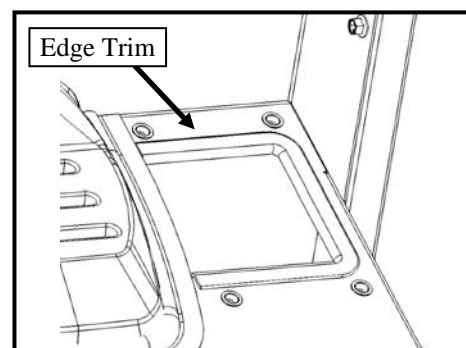


Figure 1.3: Apply Edge Trim

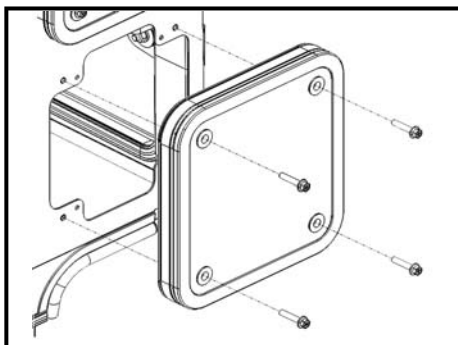


Figure 1.6: Do not install Lower Right Window

# INSTALLATION

## STEP 2: Extend Hydraulics

- 2.1 Unscrew hydraulic couplings from manifold and install (6) additional hydraulic extensions into manifold as shown in Figure 2.1.
- 2.2 Screw hydraulic inlets back into hydraulic extensions in the same configuration as they were removed.
- 2.3 Bolt hydraulic bracket to ROPS using the previously removed hardware, as shown in Figure 2.3.
- 2.4 Bolt hydraulic manifold to hydraulic bracket with (2) M12 hex bolts and nuts (see Figure 2.4)

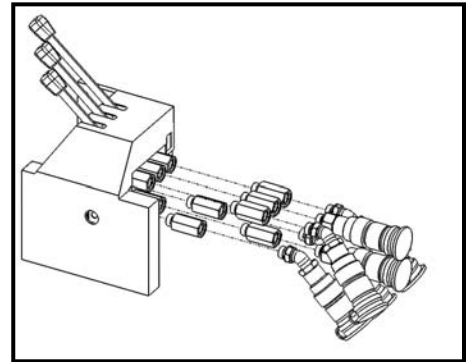


Figure 2.1: Add Extensions

## STEP 3: Filler Cover Installation

- 3.1 Fasten (4) #10-32 snap studs and (4) #10 hex nuts as shown in Figure 3.1
- 3.2 Snap cover onto snap studs, while pushing hydraulic inlets through the flap. Trim the rubber cover as required to fit snug around the hydraulic fittings so that the rubber sits flat after being installed.
- 3.3 Install the supplied velcro onto the rear panel of the cab around the perimeter of the rubber cover. Use the velcro on the rubber cover as an install guide. Note: Velcro should be applied to a clean surface at room temperature for best adhesion.
- 3.4 Continue with installation of cab.

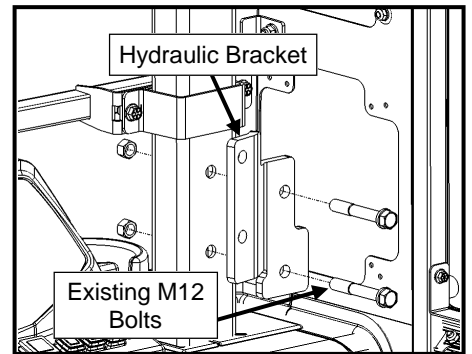


Figure 2.3: Hydraulic Relocation Bracket

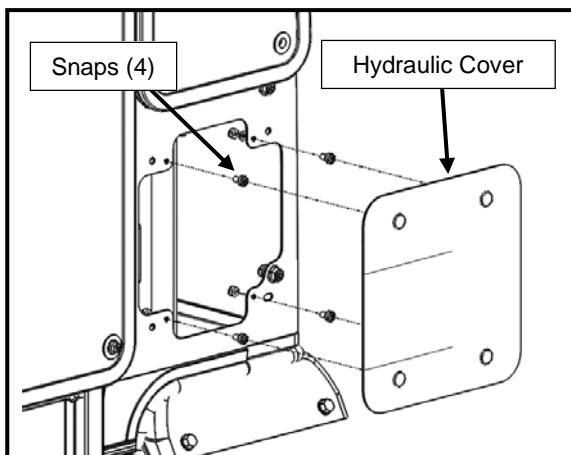


Figure 3.1: Hydraulic Cover

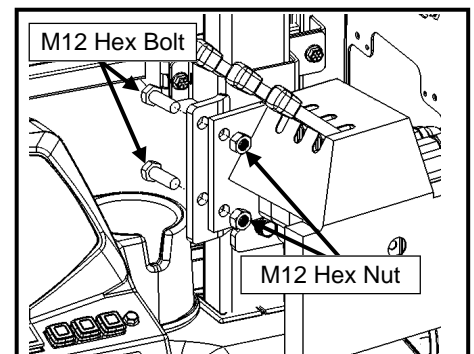


Figure 2.4: Hydraulic Manifold Relocation

# SERVICE PARTS BREAKDOWN

## KUBOTA L47 OPTIONAL REAR HYDRAULICS KIT

ITEM #:	SERVICE P/N:	QTY/KIT:	DESCRIPTION:
1	8SV-K6247-21D	1	HYD COVER ASSEMBLY, KUBOTA M62/L47
2	RC348-64040	1	PIPE JOINT (3-3-45) (ORDER FROM KUBOTA PARTS)

