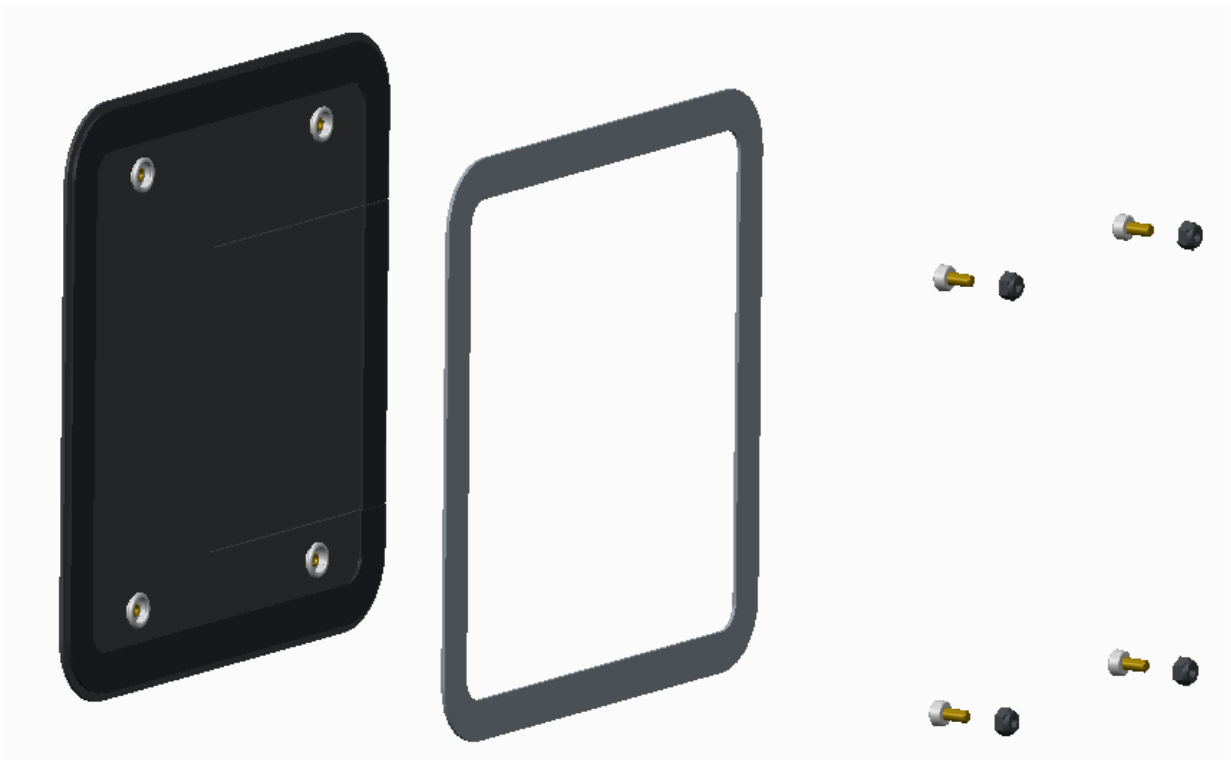




**Kubota M62 Optional Rear
Hydraulics Kit
P/N: 1KTLBM62HYD**



Approximate Installation Time *
Experienced Dealer Technician – 30 min
Average Dealer Technician – 30-60 mins
Do-It-Yourself – 1 Hour

(*=Not including accessories)

Approximate Product Specifications
Weight: 1 lb.

The contents of this envelope are the property of the owner. Leave with the owner when installation is complete.

Rev. A, 10/12/2016

p/n: IM-1KTLBM62HYD

TABLE OF CONTENTS

TABLE OF CONTENTS.....	2
INTRODUCTION.....	3
SAFETY INFORMATION.....	3
GENERAL INFORMATION.....	4
INSTALLATION.....	5
SERVICE PARTS BREAKDOWN.....	6

INTRODUCTION

Curtis cabs feature an assembly of parts designed for your vehicle which require adjustment and alignment of components to accommodate vehicle variations and provide proper weather protection. For accurate installation, proper operation, and years of satisfaction, please read and understand the installation and owner's manual fully prior to installing the cab.

From all of us at Curtis, we thank you for choosing our product.

SAFETY INFORMATION

WARNING:

- Read and understand this entire manual and any other publications for the equipment being operated.
- This cab enclosure adds additional weight to the base vehicle. Deduct the accessory's total weight (see front cover) from the vehicle's rated capacity including operator. Never operate the vehicle outside of its rated weight capacity.
- Use proper personal protective equipment during all phases of installation, removal and operation.
- Ensure that the surrounding area is clear and that personnel are positioned away from the area where engagement and disengagement of attachments will occur.
- Always shut off engine when leaving the operator's area to perform any portion of the listed procedures.
- **Exposure to Carbon Monoxide can cause illness, serious injury or death.** Never operate vehicle if suspicious of Carbon Monoxide. Inspect exhaust system for leaks monthly. Leaks can result from loose connections, corrosion, cracks or other damage to the exhaust manifold. If leaks are found, repair or replace exhaust system. Do not use vehicle until repair or replacement is complete.

Serious injury or death:

- This cab enclosure does not provide protection from rollover or other accidents.
- This cab enclosure does not provide protection from flying objects including golf balls.
- This cab enclosure does not provide protection from lightning. When lightning threatens, take cover and do not operate vehicle.

California Proposition 65

WARNING

Engine exhaust, some of its constituents, certain vehicle components and fluids, contain or emit chemicals known to the State of California to cause cancer and birth defects or other reproductive harm.

CARE & MAINTENANCE

Check and tighten all hardware after 20 hours of operation. Periodically inspect and tighten hardware for the remainder of the unit's service life. Keep the enclosure components clean in order to prevent dust and dirt from forming an unattractive film. The life of your cab components depend upon following these care procedures:

1. **NEVER USE AN ABRASIVE DETERGENT / VEHICLE CLEANER OR A WIRE BRISTLED BRUSH.** Do not use any **CITRUS BASED CLEANERS** such as orange or lemon.
2. Clean the enclosure surfaces thoroughly with warm soapy water and a COTTON cloth or chamois. Be sure to use mild soap, specifically a dish liquid or equivalent. Clean in a light circular motion for best results.
3. Remove grease and oil with mineral spirits and a COTTON cloth or chamois.

GENERAL INFORMATION

All installation procedures listed within this manual are generally representative of the machine model for which the manual is written. Your machine may be configured differently (e.g. SP1 vs. SP2, etc.), but the outline for the procedure should still be followed. For further support for any issues not covered within the pages of this manual, please contact Curtis Industries.

TOOLS REQUIRED:

Standard and Metric Sockets and Ratchet
Scissors
Phillips Head Screwdriver

INSTALLATION

REQUIRED BEFORE INSTALLATION:

1. Read and understand this entire manual and any other publications for the equipment being operated.
2. Ensure that the surrounding area is clear and that personnel are positioned away from the area where engagement and disengagement of attachments will occur.
3. Always shut off engine when leaving the operator's area to perform any portion of the listed procedures.

Note: If installing a cab on a tractor equipped with a rear remote hydraulics do the following:

- 1.1 Unbolt the bracket holding the hydraulic fittings from the ROPS and relocate fittings forward to the next set of holes in the bracket so that the fittings are inboard of the cab rear panel.
- 1.2 Remove and discard the cover plate on the lower right cab filler by removing (4) 1/4-20 hex bolts as shown in Figure 1.2. Keep the bulb seal installed across the new opening.
- 1.3 Apply edge trim to the newly exposed sheet metal edge to protect hoses as shown in Figure 1.3.
- 1.4 Remove the bulb seal (shown in figure 1.2) and install the rear hydraulic hoses inside the new opening.
- 1.5 Reinstall the bulb seal across the new opening and continue to install the lower right filler per the cab installation manual.
- 1.6 Skip the step regarding installation of the lower right rear panel window in the cab installation manual.
- 1.7 Fasten (4) #10-32 snap studs and (4) #10 hex nuts as shown in Figure 1.7.
- 1.8 Snap cover onto snap studs
- 1.9 If installing rear implements now, push hydraulic lines through the flap and trim the rubber cover as required to fit snug around the hoses so that the rubber sits flat after being installed.
- 1.10 Install the supplied velcro onto the rear panel of the cab around the perimeter of the rubber cover. Use the velcro on the rubber cover as an install guide. Note: Velcro should be applied to a clean surface at room temperature for best adhesion.
- 1.11 Continue with installation of cab.

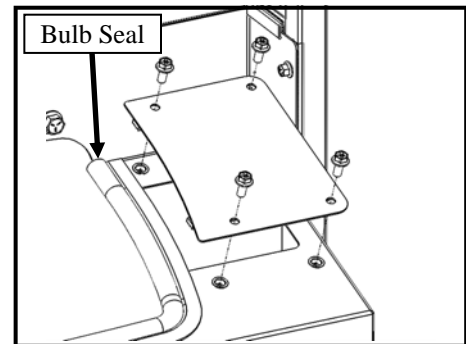


Figure 1.2: Remove Filler Cover Plate

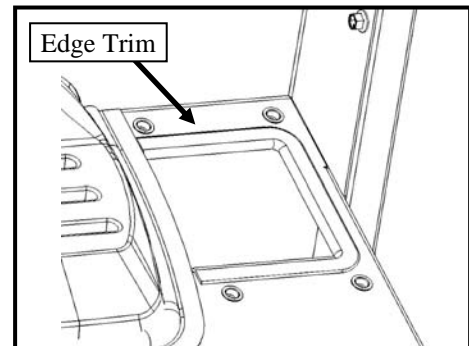


Figure 1.3: Apply Edge Trim

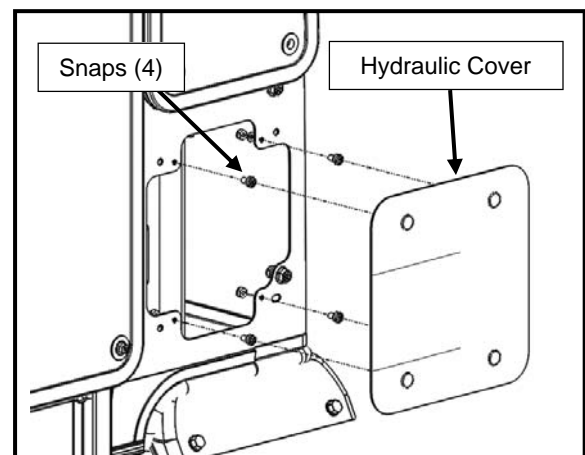


Figure 1.7: Hydraulic Cover

SERVICE PARTS BREAKDOWN

KUBOTA M62 OPTIONAL REAR HYDRAULICS KIT

ITEM #:	PART NUMBER:	QTY/KIT:	DESCRIPTION:
1	8SV-K6247-21D	1	HYD COVER ASSEMBLY, KUBOTA M62/L47

