



**INSTALLATION MANUAL
AS1 LAMINATED GLASS WINDSHIELD
(77700-VC5020A, VC5020)
KUBOTA RTV-X900, RTV-X1120D, RTV-X1140, RTV-XG850**

CALIFORNIA PROPOSITION 65



WARNING:
Cancer and reproductive harm - www.P65Warnings.ca.gov

IMPORTANT!

CAB COMPONENT ORDER OF INSTALLATION:

1. Canopy Mounts (Canopy Kit)
2. Windshield Assembly
3. Door Strikers & Hinge Mounts (Door Kit)
4. Rear Panel Assembly
5. Canopy Assembly
6. Door Assemblies

NOTE: Front Heavy Duty Springs (V5218) or Heavy Duty Spring Damper Assembly (V5219) is required if complete cab is installed (RTV-X900, RTV-X1120D, and RTV-XG850).

BEFORE INSTALLING WINDSHIELD

- Read all instructions and safety instructions in this manual.
- Refer to your machine's operator's manual and safety instructions on your machine's safety decals.
- Wear appropriate personal protective equipment (PPE) when performing work.
- Hang a "**DO NOT OPERATE**" tag in operator station.
- If installing a heater with this windshield, vehicle modifications found in heater instructions must be completed prior to installing windshield.
- If installing 4-way flashers, it will ease assembly if they are installed prior to installing windshield on vehicle.



WARNING

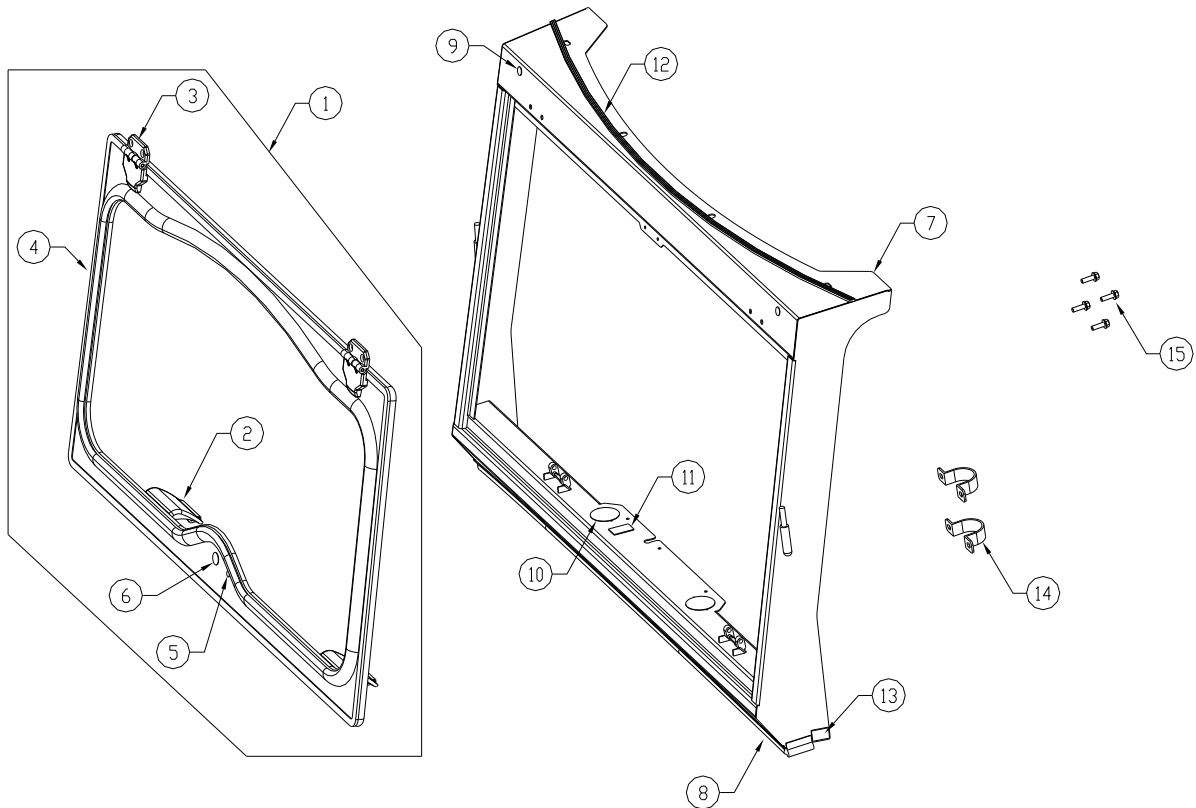
To avoid personal injury or death:

- Cabs, blades, and general accessories add additional weight to the base vehicle. Deduct the accessory's total weight from the vehicle's rated capacity including passenger and driver. Never operate the vehicle outside of its rated weight capacity.
- Exposure to carbon Monoxide can cause illness, serious injury, or death. Never operate vehicle if suspicious of Carbon Monoxide. Inspect exhaust system for leaks monthly. Leaks can result from loose connections, corrosion, cracks, or other damage to the exhaust manifold. If leaks are found, repair or replace exhaust system. Do not use vehicle until repair or replacement is complete.
- This windshield does not provide protection from: a rollover (or other accidents), from flying objects (including golf balls), or from lightning. When lightning threatens, take cover and do not operate vehicle.

Estimated assembly time: 30 minutes

■ AVAILABLE REPLACEMENT PARTS

Ref. No.	Part No.	Part Name	QTY	REMARKS
1	77700-05148	Laminated Glass w/ Steel Surround, Latches, Hinges, Rubber, Plugs	1	Code No.: KX9-02-2A
2	70000-01061	Windshield Latch	1	Code No.: 9WL01
3	70000-01040	Windshield Hinge	1	Code No.: 9PH007
4	70000-01041	5/8" Side Bulb Rubber, 180" long	1	Code No.: 9PR17
5	77700-05149	Dome Plug, 5/16"	1	Code No.: 9PD08
6	77700-05150	Dome Plug, 3/4"	1	Code No.: 9DP16
7	77700-05151	Windshield Steel Frame	1	Code No.: KX9-02A
8	70000-01254	Rubber, 5/8" Regular Bulb, 144" long	1	Code No.: 9PRO2
9	77700-01480	Dome Plug, 7/16"	1	Code No.: 9DP01
10	77700-05152	Dome Plug, 2"	1	Code No.: 9DP14
11	77700-05153	Switch Hole Plug	1	Code No.: 9VH2-01
12	70000-01045	1/2" Weatherseal Rubber, 55" long	1	Code No.: 9PR20
13	77700-05154	Foam Seal (7"), 1/8" x 1"	1	Code No.: 9PR39
14	70000-01106	Lower Mount (U-Clamp)	1	Code No.: KU900-05
15	77700-05155	Hardware Kit	1	Code No.: KX9HWK-02 (contains 4 screws, 5/16-18 x 1" long hex head flanged)





CAUTION

To avoid personal injury:

- Park the machine on a firm and level surface.
- Apply the parking brake if applicable.
- Stop the engine and remove the key from the machine if applicable.

■ ASSEMBLY PROCEDURE

NOTE:

- **All assembly procedures listed within this manual are generally representative of the machine model for which the manual is written.** Your machine may be configured differently, but the outline for the procedure should still be followed. For further support for any issues not covered within the pages of this manual, please contact your local Kubota representative.

1. Install canopy mounts (found in canopy kit) as directed in canopy instructions. See fig. 1.

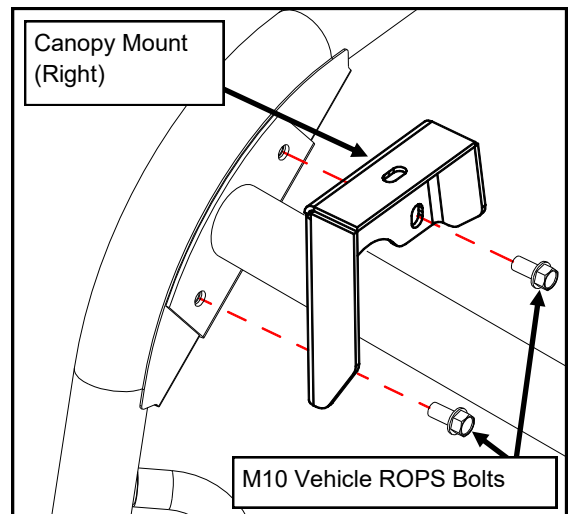


Fig. 1

2. Install the windshield so that the slots on the top surface of the windshield align with the slots in the top of the canopy mounts. See fig. 2.
3. Install the two U-Clamps around the ROPS tube and attach each to the windshield frame with two 5/16-18 x 1" long bolts per clamp. Do not tighten bolts at this time.
4. Continue to install other cab components per order of installation from page 1. Bolts must be tightened after the canopy is fully installed.

CARE AND USE:

5. Check and tighten hardware after 20 hours of operation.
6. Wash all steel and plastic components with mild soap and water.
7. Glass can be cleaned with household glass cleaner.

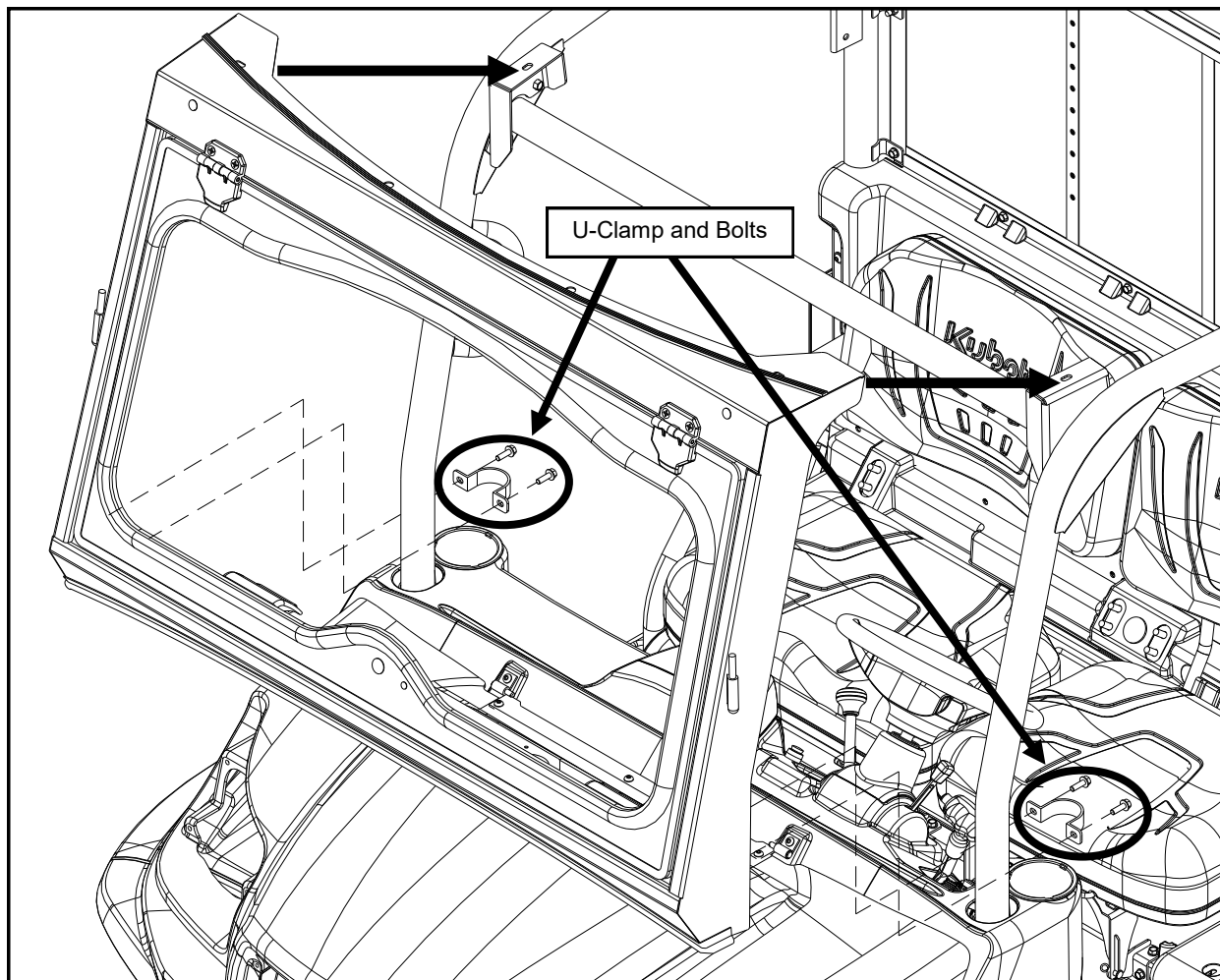


Fig. 2