



**INSTALLATION MANUAL  
POLYCARBONATE WINDSHIELD  
(77700-VC5023A, VC5023)  
KUBOTA RTV-X900, RTV-X1120D, RTV-X1140, RTV-XG850**

**CALIFORNIA PROPOSITION 65**



**WARNING:**  
Cancer and reproductive harm - [www.P65Warnings.ca.gov](http://www.P65Warnings.ca.gov)

**IMPORTANT!**

**CAB COMPONENT ORDER OF INSTALLATION:**

1. Canopy Mounts (Canopy Kit)
2. Windshield Assembly
3. Door Strikers & Hinge Mounts (Door Kit)
4. Rear Panel Assembly
5. Canopy Assembly
6. Door Assemblies

NOTE: Front Heavy Duty Springs (V5218) or Heavy Duty Spring Damper Assembly (V5219) is required if complete cab is installed (RTV-X900, RTV-X1120D, and RTV-XG850).

**BEFORE INSTALLING WINDSHIELD**

- Read all instructions and safety instructions in this manual.
- Refer to your machine's operator's manual and safety instructions on your machine's safety decals.
- Wear appropriate personal protective equipment (PPE) when performing work.
- Hang a "**DO NOT OPERATE**" tag in operator station.
- If installing a heater with this windshield, vehicle modifications found in heater instructions must be completed prior to installing windshield.
- If installing 4-way flashers, it will ease assembly if they are installed prior to installing windshield on vehicle.



**WARNING**

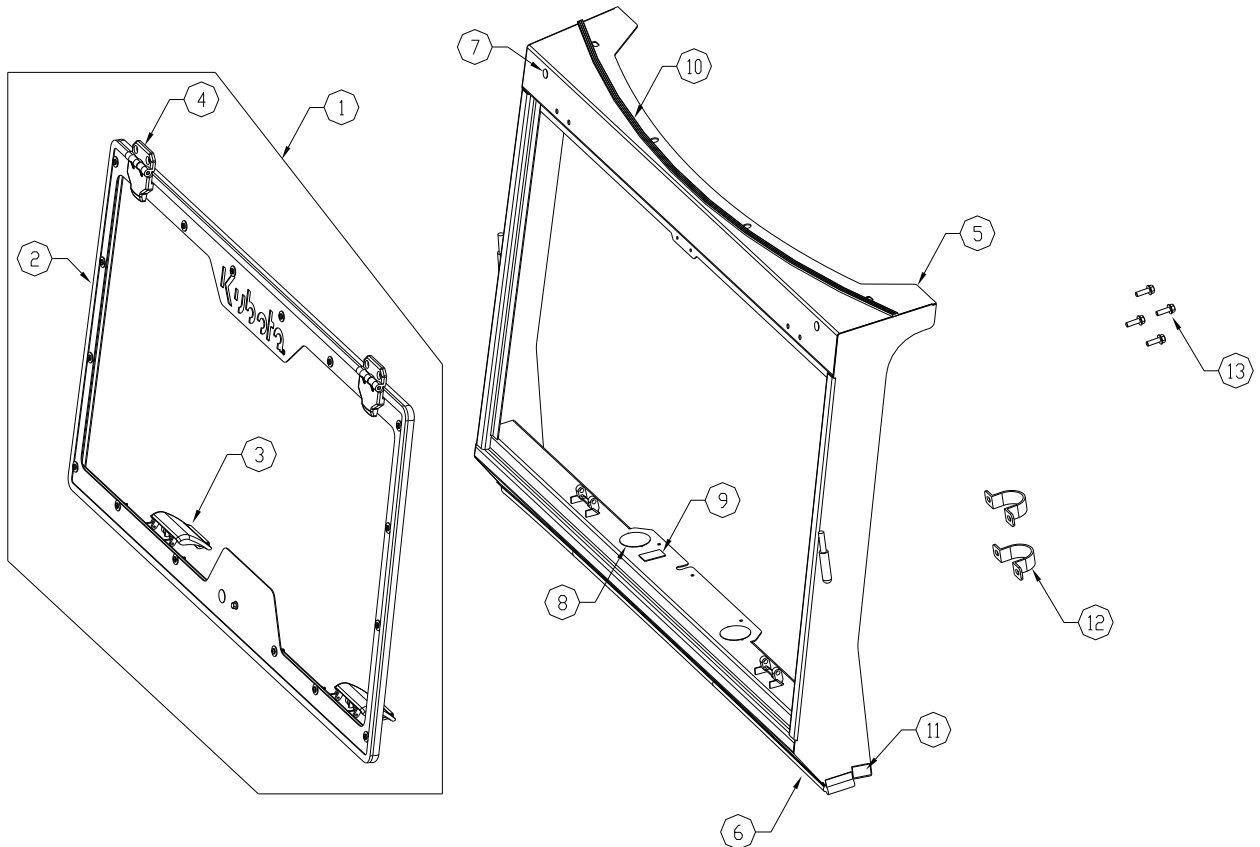
**To avoid personal injury or death:**

- Cabs, blades, and general accessories add additional weight to the base vehicle. Deduct the accessory's total weight from the vehicle's rated capacity including passenger and driver. Never operate the vehicle outside of its rated weight capacity.
- Exposure to carbon Monoxide can cause illness, serious injury, or death. Never operate vehicle if suspicious of Carbon Monoxide. Inspect exhaust system for leaks monthly. Leaks can result from loose connections, corrosion, cracks, or other damage to the exhaust manifold. If leaks are found, repair or replace exhaust system. Do not use vehicle until repair or replacement is complete.
- This windshield does not provide protection from: a rollover (or other accidents), from flying objects (including golf balls), or from lightning. When lightning threatens, take cover and do not operate vehicle.

**Estimated assembly time: 30 minutes**

■ AVAILABLE REPLACEMENT PARTS

Ref. No.	Part No.	Part Name	QTY	REMARKS
1	77700-05158	Polycarbonate Windshield w/ Frame, Latches, Hinges, Rubber, Plugs	1	Code No.: KX9-02-3A (contains one windshield assy)
2	70000-01252	Rubber, 3/4" Side Bulb with 1/4" Grip, 169" long	1	Code No.: 9PR38 (contains one strip)
3	70000-01061	Windshield Latch	1	Code No.: 9WL01 (contains one latch)
4	70000-01040	Windshield Hinge	1	Code No.: 9PH007 (contains one hinge)
5	77700-05151	Windshield Steel Frame	1	Code No.: KX9-02A (contains one frame)
6	70000-01254	Rubber, 5/8" Regular Bulb, 144" long	1	Code No.: 9PRO2 (contains one strip)
7	77700-01480	Dome Plug, 7/16"	1	Code No.: 9DP01 (contains one plug)
8	77700-05152	Dome Plug, 2"	1	Code No.: 9DP14 (contains one plug)
9	77700-05153	Switch Hole Plug	1	Code No.: 9VH2-01 (contains one plug)
10	70000-01045	1/2" Weatherseal Rubber, 55" long	1	Code No.: 9PR20 (contains one strip)
11	77700-05154	Foam Seal (7"), 1/8" x 1"	1	Code No.: 9PR39 (contains one strip)
12	70000-01106	Lower Mount (U-Clamp)	1	Code No.: KU900-05 (contains one clamp)
13	77700-05155	Hardware Kit	1	Code No.: KX9HWK-02 (contains 4 screws, 5/16-18 x 1" long hex head flanged)





## CAUTION

To avoid personal injury:

- Park the machine on a firm and level surface.
- Apply the parking brake if applicable.
- Stop the engine and remove the key from the machine if applicable.

### ■ ASSEMBLY PROCEDURE

#### NOTE:

- **All assembly procedures listed within this manual are generally representative of the machine model for which the manual is written.** Your machine may be configured differently, but the outline for the procedure should still be followed. For further support for any issues not covered within the pages of this manual, please contact your local Kubota representative.

1. Install canopy mounts (found in canopy kit) as directed in canopy instructions. See fig. 1.

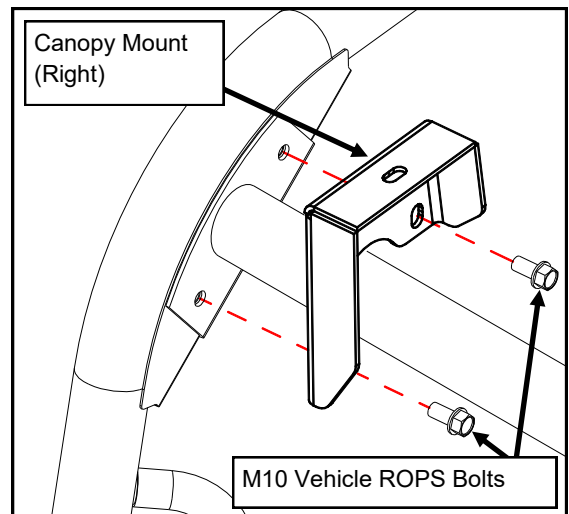


Fig. 1

2. Install the windshield so that the slots on the top surface of the windshield align with the slots in the top of the canopy mounts. See fig. 2.
3. Install the two U-Clamps around the ROPS tube and attach each to the windshield frame with two 5/16-18 x 1" long bolts per clamp. Do not tighten bolts at this time.
4. Continue to install other cab components per order of installation from page 1. Bolts must be tightened after the canopy is fully installed.

## CARE AND USE:

5. Check and tighten hardware after 20 hours of operation.

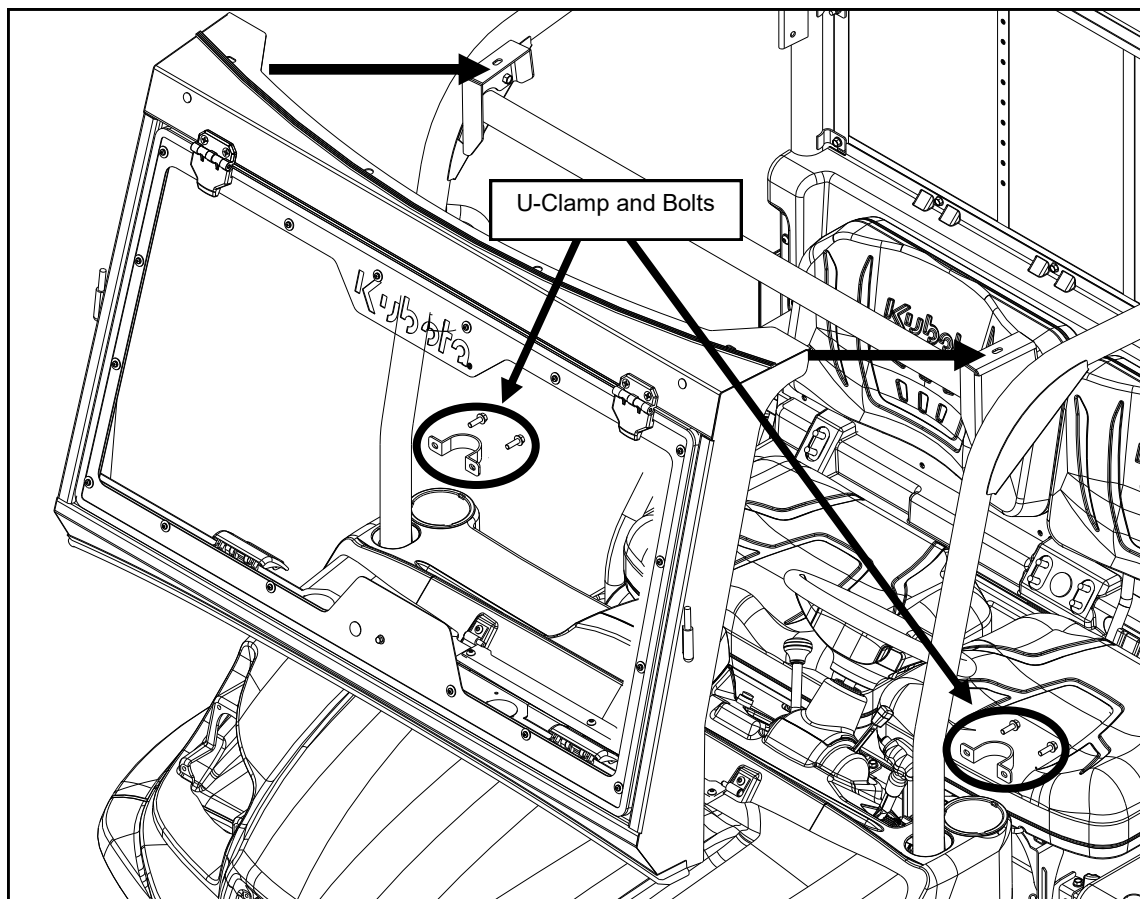


Fig. 2

## NOTICE

- **NEVER USE** an alcohol-based product for cleaning. Many brand-name glass cleaners contain alcohol that will result in deterioration of the windshield.
- Wash with a mild soap or detergent using your bare hands to free or dislodge any caked-on dirt or other foreign particles.
- A soft, grit-free cloth, sponge, or chamois may be used but only as a means of carrying water to the windshield.
- An appropriate plastic cleaner can be used to remove light scratches.