



CURTIS WINCH LIFT UTILITY VEHICLE PLOW



Winch Lift Plow
(PN: 1UTVPW)

**Custom Mounts for: John Deere Gator XUV 615, 625, 815, 835, 865: 2011 & newer | 825 & 855 S2&4: 2011 & newer
Polaris Ranger XP900: 2013 ~ | Club Car XRT1551
Kawasaki Mule Pro FX/DX, Pro FXT/DXT**

CURTIS PREMIUM FEATURES

Compatible with your Existing Winch System

No complicated Hydraulic or Electrical Components

Standard 2" Receiver Mount

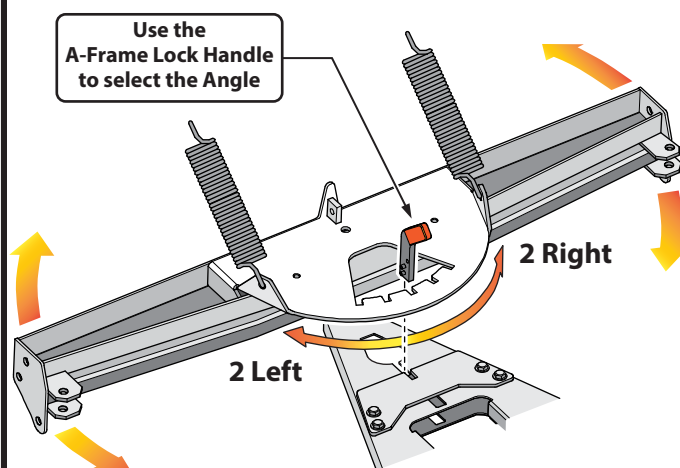
Durable 12-Gauge Steel 72" Moldboard and 48" Push Frame

Adjustable Trip Springs

Reversible Cutting Edge and Adjustable Skid Shoes are Standard

Five Locking Blade Angles

The A-Frame Locking Handle makes Adjusting the Blade Angle Quick and Easy for Efficient Plowing



Pull Lock Handle Forward, Angle the Moldboard, then Push the Lock Handle Back to Lock



CURTIS WINCH LIFT UTILITY VEHICLE PLOW

Rugged 12-Gauge Steel Moldboard with 48" Push Frame. One of the Widest Push Frames on the Market for this Vehicle Class.

Winch Not Included. For Durability, Synthetic Rope is recommended (not included)

Plow Mounts in Minutes to Standard 2" Receiver. Mount Kit Required (not included)

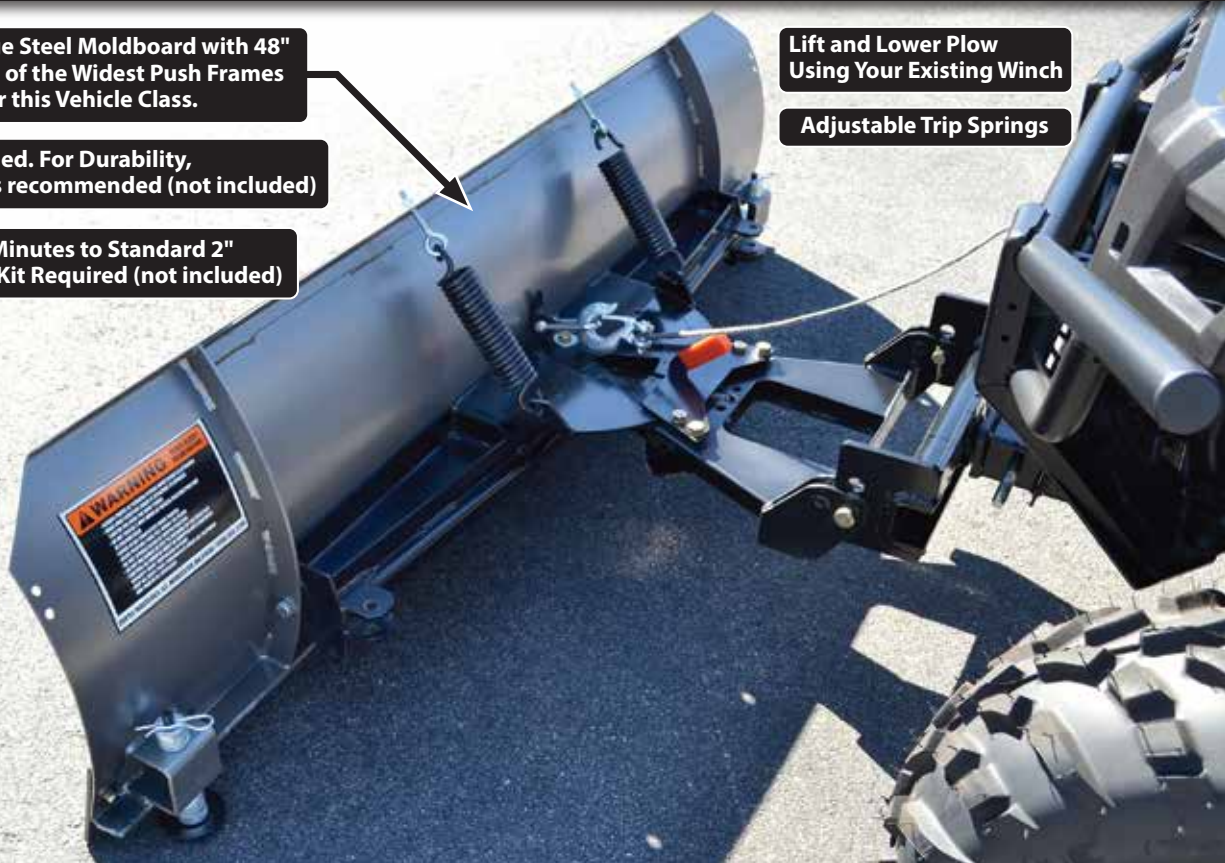
Lift and Lower Plow Using Your Existing Winch

Adjustable Trip Springs

Adjustable Trip Springs

Adjustable Skid Shoes Included

Reversible Cutting Edge



Enhancing our Customers' Comfort and Productivity Every Day  More Innovation. More Value.

FAST-CAST 300 SPREADER

- 3.0 Cubic Feet/180 Lb. Capacity
- 4-20 Ft. Spreading Width
- Modular Steel Frame
- 10" Steel Spinner
- 12 Volt DC/7-10 Amp Direct Drive Motor
- For Rock Salt
- High-Density UV Protected Polymer



FAST-CAST 400 SPREADER

- 3.0 Cubic Feet/180 Lb. Capacity
- 4-20 Ft. Spreading Width
- Modular Steel Frame
- 10" Steel Spinner
- 12 Volt DC/7-10 Amp Direct Drive Motor
- For Light Rock Salt, Fertilizers and Fine Material Grade Applications
- High-Density UV Protected Polymer



FAST-CAST 2000 SPREADER

- 5.0 Cubic Feet/350 Lb. Capacity
- 4-40 Ft. Spreading Width
- Modular Steel Frame
- 10" Steel Spinner
- 12-15 Amp Draw
- For Rock Salt
- High-Density UV Protected Polymer



Winch Lift Utility Vehicle Plow is also Available



Optional Top Deflector Available

AUTHORIZED DEALER

Optional High Visibility Blade Markers Available

(PN: 1UTVPW)

UTVPW01(9/18)

All brand names are trademarked by their respective companies. Curtis Industries and its products are not endorsed or affiliated with any of these companies.

70 Hartwell Street | West Boylston, MA | 01583 | 508-853-2200 | www.CurtisCab.com