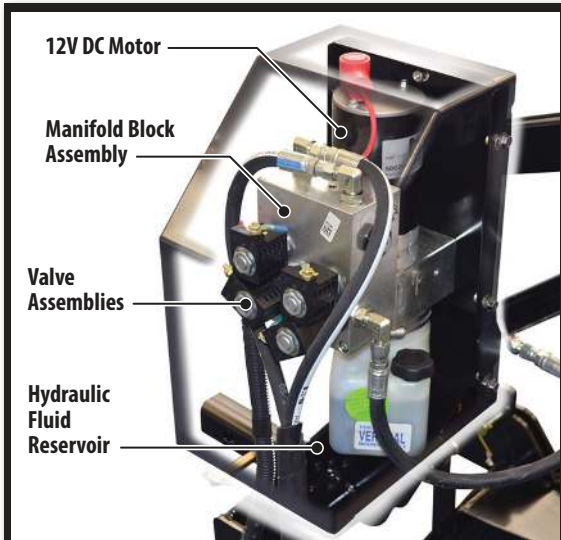




CURTIS HYDRAULIC UTILITY VEHICLE PLOW

FULLY ENCLOSED HYDRAULICS



REMOVE 4 COVER BOLTS FOR EASY ACCESS

Illuminated 4-button hand-held controller



Hydraulic UTV Plow
(PN: 1UTVP)
Shown with Optional Blade Markers

HYDRAULIC PLOW FEATURES

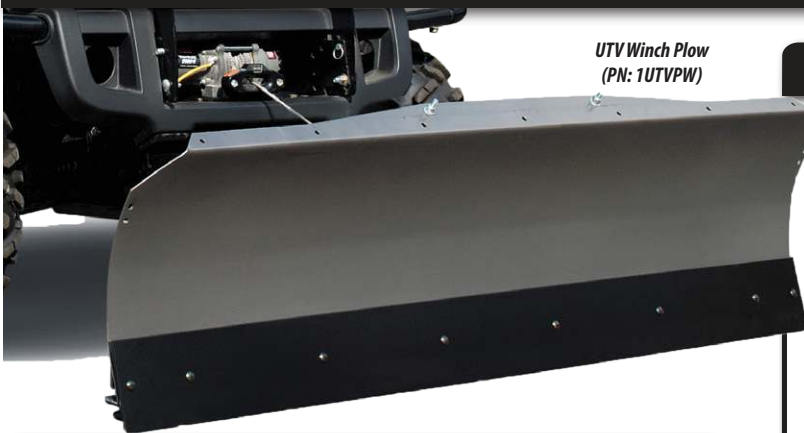
Full hydraulic lift and angle control

Full trip, durable 12-gauge steel, 72" wide moldboard with 48" push frame & adjustable trip springs

Reversible cutting edge & adjustable skid shoes included



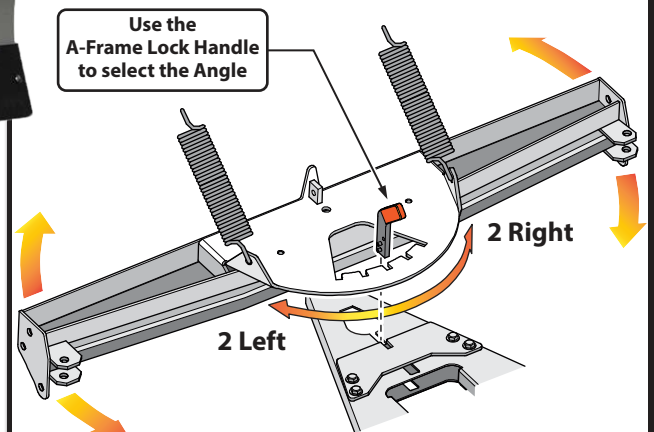
CURTIS WINCH LIFT UTILITY VEHICLE PLOW



UTV Winch Plow
(PN: 1UTVPW)

Five Locking Blade Angles

The A-Frame Locking Handle makes Adjusting the Blade Angle Quick and Easy for Efficient Plowing



Pull Lock Handle Forward, Angle the Moldboard, then Push the Lock Handle Back to Lock

WINCH LIFT PLOW FEATURES

Standard 2" Receiver Mount Adjustable Trip Springs

Compatible with your Existing Winch System Durable 12-Gauge Steel 72" Moldboard & 48" Push Frame

Reversible Cutting Edge & Adjustable Skid Shoes are Standard

Custom Mounts for: John Deere Gator XUV 615, 625, 815, 835, 865 | 825 & 855 S2&4: 2011 & newer | Polaris Ranger XP900: 2013 ~ | Club Car XRT1551 | Kawasaki Mule Pro FX/DX, Pro FXT/DXT



CURTIS FAST-CAST 600 UTILITY VEHICLE SPREADER

Kit Includes: Additional Tie Down Material & In-Cab Controller

Flip up chute allows for trailer towing, discharge of unused material in a pile, and ground storage (no stands needed)



Curtis Fast-Cast 600 (1CS11)

CURTIS FAST-CAST 600 FEATURES

Spinner Speed Controller in cab allows for variable pattern spreading.

"Vee-Box" Salt Spreader uses an auger for consistent and uniform material delivery.



FAST-CAST 600 EXTENSION



FAST-CAST 600 HOPPER VIBRATOR KIT

FAST-CAST 300 SPREADER

- 3.0 Cubic Feet/180 Lb. Capacity
- 4-20 Ft. Spreading Width
- Modular Steel Frame
- 10" Steel Spinner
- 12 Volt DC/7-10 Amp Direct Drive Motor
- For Rock Salt
- High-Density UV Protected Polymer



FAST-CAST 400 SPREADER

- 3.0 Cubic Feet/180 Lb. Capacity
- 4-20 Ft. Spreading Width
- Modular Steel Frame
- 10" Steel Spinner
- 12 Volt DC/7-10 Amp Direct Drive Motor
- For Light Rock Salt, Fertilizers and Fine Material Grade Applications
- High-Density UV Protected Polymer



FAST-CAST 2000 SPREADER

- 5.0 Cubic Feet/350 Lb. Capacity
- 4-40 Ft. Spreading Width
- Modular Steel Frame
- 10" Steel Spinner
- 12-15 Amp Draw
- For Rock Salt
- High-Density UV Protected Polymer



All brand names are trademarked by their respective companies. Curtis Industries and its products are not endorsed or affiliated with any of these companies.

70 Hartwell Street | West Boylston, MA | 01583 | 508.853.2200 | www.CurtisCab.com