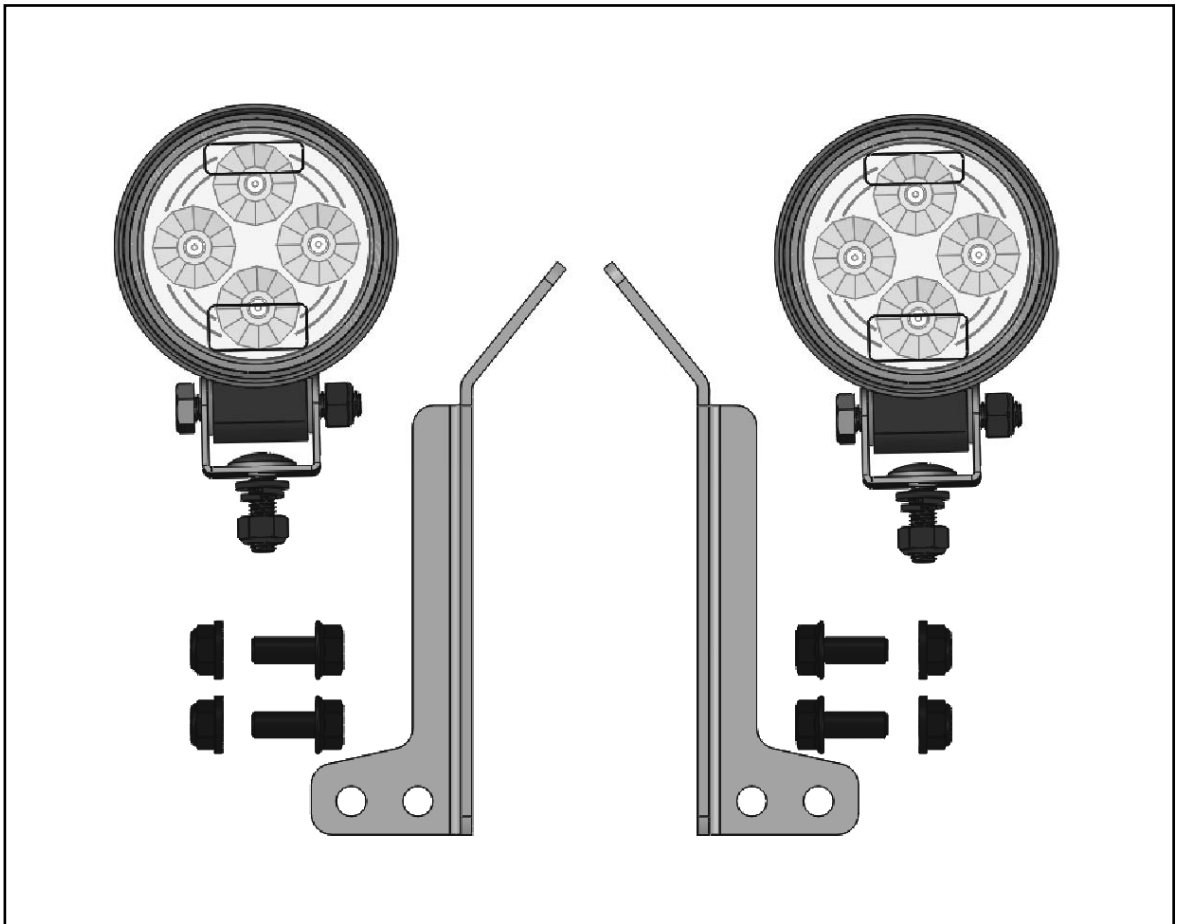




**Kubota M62 and L47
Round L.E.D. Work Lights
p/n: 1KTLBLEDWL**

The contents of this envelope are the property of the owner.
Be sure to leave with the owner when installation is complete.

APPROXIMATE INSTALLATION TIME: 45 minutes



- 1.1 Attach the light bracket to the front or rear mount bracket (rear mount brackets are located outside the cab if it is installed) with (2) 5/16" x 3/4" long hex bolts and (2) 5/16" hex flange nuts (see Fig. 1.1).
- 1.2 Attach the light to the light bracket as shown in Fig. 1.1 using the hardware supplied on the light (use a 1/2" wrench or socket).
- 1.3 Plug light wires into vehicle wiring harness.
- 1.4 Set lights to desired angles and tighten.
- 1.5 Repeat for opposite side.

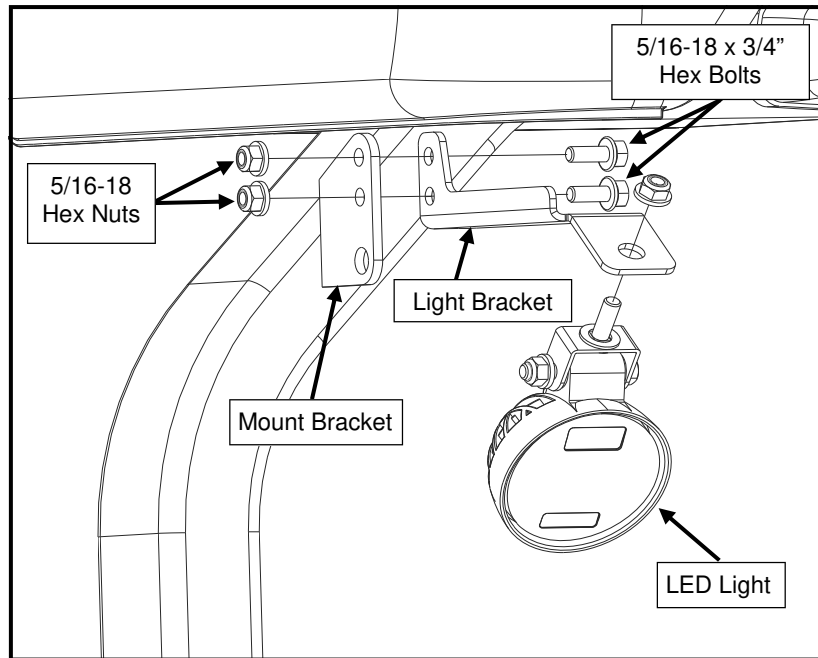


Fig. 1.1: Light Installation

SERVICE PARTS FOR KUBOTA M62/L47 ROUND LED LIGHT KIT

ITEM #:	PART NUMBER:	CODE NUMBER:	QTY/KIT:	DESCRIPTION:
1	8SV-K6247LMB-L	SM-K6247LMB-L	1	LIGHT MOUNT BRACKET, LEFT
2	8SV-K6247LMB-R	SM-K6247LMB-R	1	LIGHT MOUNT BRACKET, RIGHT
3	8SV-9LEDRA	9LEDR-A	1	ROUND LED UTILITY LIGHT W/FEMALE BULLET CONN.

