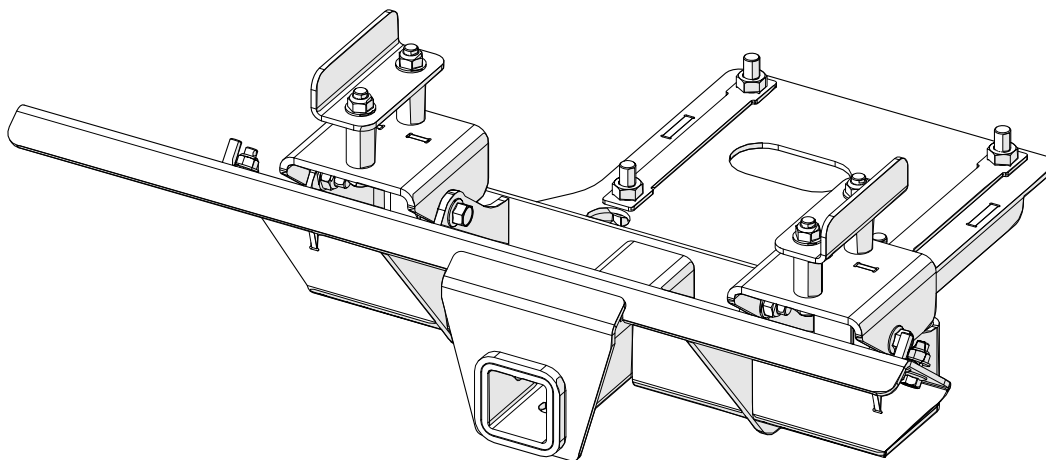




John Deere Gator XUV 835-865
Plow Mount Kit p/n: 1JD835PMK
 for use with the following plows:
 p/n: 1UTVP (fully assembled plow)
 p/n: 1UTVP-1 (unassembled plow)
 p/n: 1UTVPW (unassembled winch lift plow)

Note: Front Heavy Duty Springs or Heavy Duty Spring Damper Assembly are required if plow is installed.



! WARNING
 Do not attempt to install or operate this plow until you read and understand all warnings and instructions in this manual or on the plow. Failure to read all warnings and instructions could lead to serious injury or death.

ADDED WEIGHT NOTICE
 Curtis Cabs, blades and general accessories add additional weight to the base vehicle. All Curtis accessory weights are listed in product brochures. Deduct the accessory's total weight from the vehicle's rated capacity and never exceed the vehicle's rated capacity including driver and passenger.

Approximate Installation Time *
Experienced Dealer Technician – 45 min.
Average Dealer Technician – 1 hr.
Do-It-Yourself – 1.25 hrs.

Approximate Product Specifications
Weight: 48 lbs.

(* = Not including accessories)

The contents of this envelope are the property of the owner. Leave with the owner when installation is complete.

SAFETY INFORMATION:

⚠ WARNING: Cabs, blades, and general accessories add additional weight to the base vehicle. Deduct the accessory's total weight from the vehicle's rated capacity including driver and passenger. Never operate the vehicle outside of its rated weight capacity.

⚠ WARNING: Serious injury or death:

- Never stand or ride on the plow assembly.
- Never operate the plow near pets or other people.
- Never leave the vehicle running unattended with plow attached.
- Never plow or carry plow at high speeds.
- Never clean or perform maintenance with plow raised.
- Never clean or service with plow in tripped condition.
- Never dislodge an obstruction with any part of the body.
- Warning - This attachment affects the handling performance.
- Warning - Before starting installation, park UTV in a flat area, ensure parking brake is engaged, and engine is turned off.

HELPFUL REMINDERS:

- A. Check carton contents prior to beginning installation.
- B. Work in an organized area large enough to fit vehicle and plow.
- C. Have the required tools ready to speed up the installation time.
- D. Have a helper available to help move heavy parts and assemblies.

MAINTENANCE NOTES:

- **Check and tighten all fasteners in the plow assembly and vehicle mounting after initial use and every 5 hours of use thereafter.**
- **After every 10 hours of use, lubricate all pivot bolts, pins, snap lock latches, and any other moving parts in the plow assembly with all-season grease.**

Tools Required:

- Set of standard and metric sockets
- Set of standard and metric open end wrenches
- One 3/8" Drive Ratchet
- Pliers
- File or Burr Removal Device
- Torque Wrench
- Drill and 9/32" bit
- Dielectric Grease

STEP 1: (VEHICLE PREP)

- 1.1 Disconnect the battery. Disconnect the negative battery terminal first then the positive terminal second.
- 1.2 Remove the (2) existing bolts that attach the Front Skid Plate to the Bumper and the (4) bolts that attach the Front Skid Plate to the frame. See Fig. 1.2. Discard the fasteners.
Note: Skid plate is not re-used.

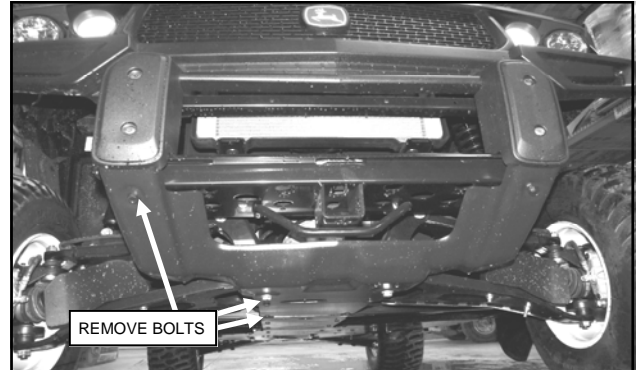


Fig. 1.2 (Remove Front Skid Plate)

STEP 2: (PLOW MOUNT)

- 2.1 Slide (2) 7/16 X 2-3/4" bolts thru the hanger and then thru (2) hanger tubes. Hold the assembly together and slide the bolts thru the Driver's side of the winch mounting plate as shown in Figure 2.1. Next, place the hanger top plate with (2) 7/16" lock nuts on top and hand tighten the nuts onto the bolts. Repeat for the Passenger's side.
- 2.2 Insert both anchor strips into the vehicle's frame tube per Fig. 2.2. (Orient w/ nuts up as shown)
- 2.3 Place the Plow Mount assembly against the vehicle frame on the previously installed Hanger brackets. Make sure the mount is installed on the inside of the outer hanger flanges and the outside of the inner flanges. Install (4) 7/16" X 1-1/4" bolts and (4) 7/16" nuts per figure 2.3. Leave loose.
- 2.4 Install (4) 3/8" bolts and (2) 3/8" lock nuts per figure 2.4. Leave loose.
- 2.5 Install (4) 1/2" X 1-1/2" bolts into the previously installed anchor strips installed into the vehicle's frame per figure 2.4. Leave loose.
- 2.6 Tighten all hardware to the following torque specs:
Tighten 3/8" bolts to 35-40 ft-lbs.
Tighten 7/16" bolts to 56-63 ft-lbs.
Tighten 1/2" bolts to 100-110 ft-lbs.

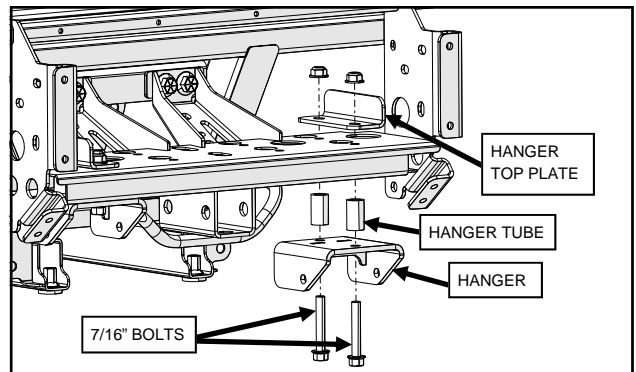


Fig. 2.1 (Hanger Bracket, Left Side)

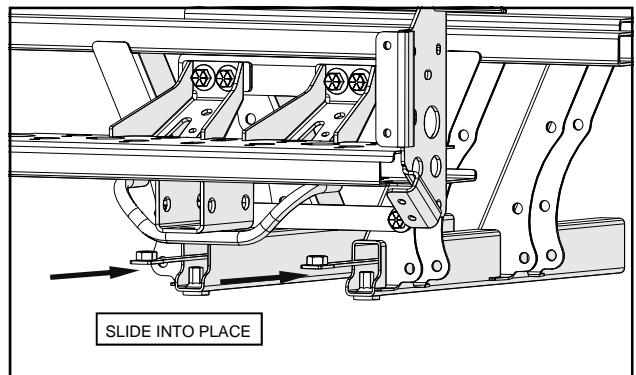


Fig. 2.2 (Anchor Strips)

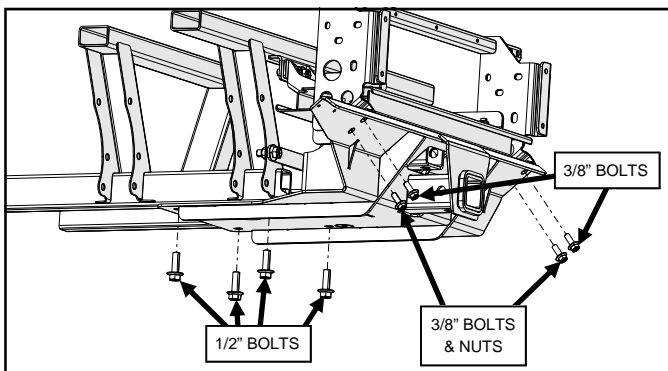


Fig. 2.4 (Plow Mount, Front & Skid Plate Bolts)

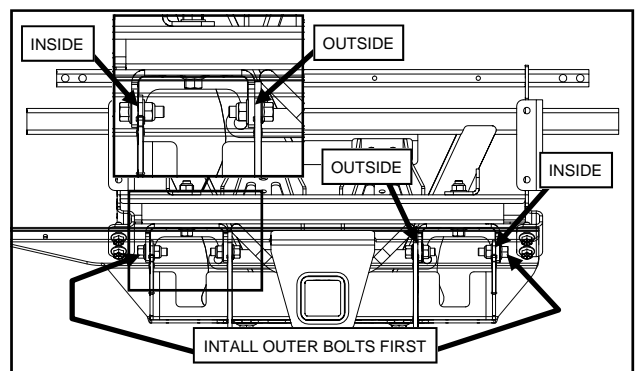


Fig. 2.3 (Plow Mount, Hanger)

STEP 3: (CONTROL SWITCH AND WIRING)

All of Step 3 is for Utility Vehicle Plows with Self-Contained Hydraulics (p/n's: 1UTVP or 1UTVP-1)

If using a Utility Vehicle Plow Winch Lift (p/n 1UTVPW), installation is complete. Disregard this section.

- 3.1** Connect female bullet terminal found on the UTV Plow Wire Harness (P/N: WH-00091) to the Main Wire Harness (P/N: KX9UTP-WHHLA02) male bullet terminal. Next, tape the 14 gauge wire found on the UTV Plow Mount to the 5/8" loom found on the Main Wire Harness. Continue to tape towards the 7-pin trailer plug.
- 3.2** Bolt on the 7-Pin trailer plug with mounting bracket found on Hydraulic Plow Kit on the Passenger side of the plow mount using (2) #10X3/4" Pan Head screws with (2) #10 Lock Nuts. See Fig. 3.2.
- 3.3** Run the Main Harness from the Plow Mount to under vehicle's hood per fig 3.3. Make sure that the harness is clear of the suspension and steering components as well as the tire.
- 3.4** Remove hood and front storage compartment as shown in fig 3.4. Place the (2) connectors found on the UTV Plow Wire Harness near the vehicle's keyed connector as well as the 9-pin connector for the controller found on the Main Wire Harness.
- 3.5** Per figures 3.5a and 3.5b, continue to run the remainder of the Main Wire Harness to the back of the vehicle on the Passenger side to the vehicle's battery compartment.

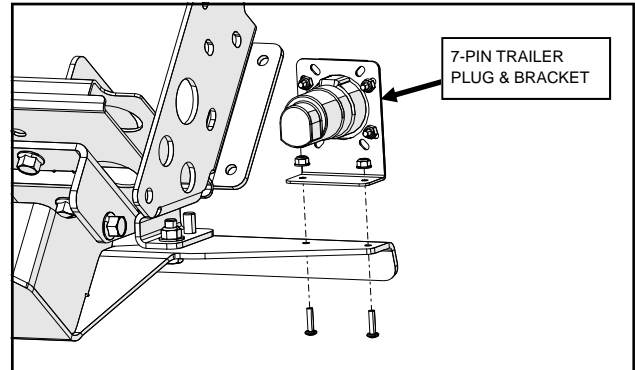


Fig. 3.2 (7-Pin Connector and Bracket)

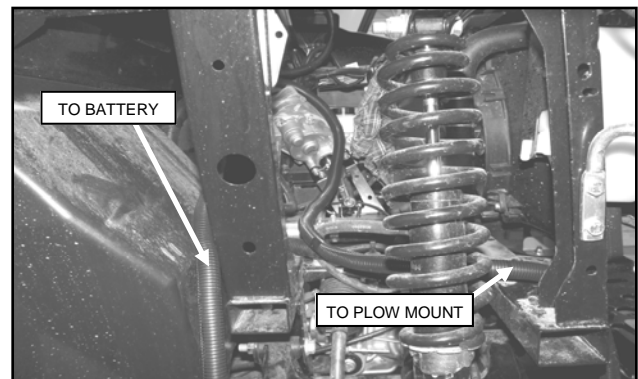


Fig. 3.3 (Running Harness, Passenger Side)

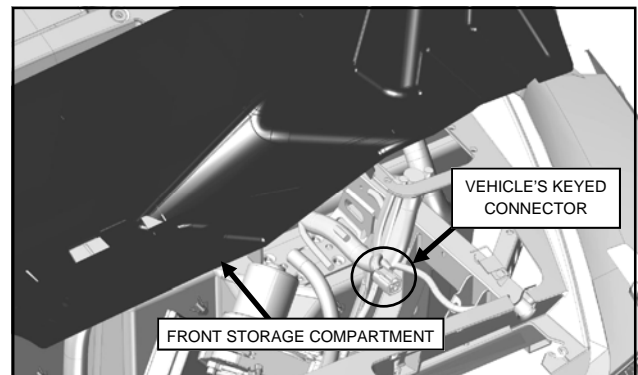


Fig. 3.4 (Front Storage Compartment)

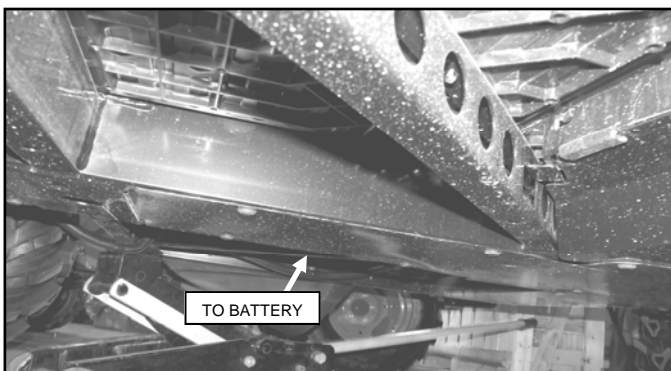


Fig. 3.5b (Under Frame, Passenger Side)

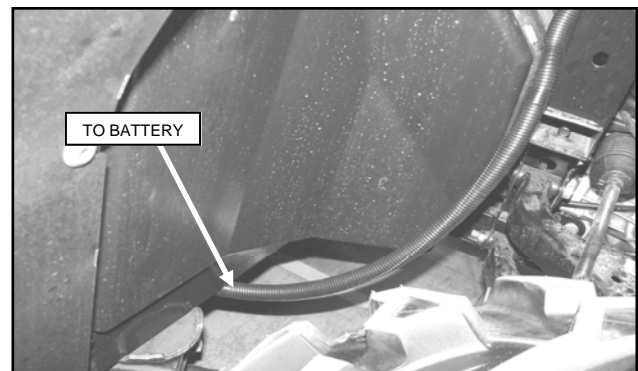


Fig. 3.5a (Wheel Well, Passenger Side)

STEP 3: (CONTROL SWITCH AND WIRING CONT'D)

- 3.6** Position the Solenoid near the battery and determine where to mount it. Drill a 9/32" hole in the desired location on the frame of the vehicle. Slide the 10 ga. Black ground wire ring terminal from the battery wire harness and from the main wire harness over the 1/4-20x1" long hex head cap screw and fasten Solenoid and wires to chassis with a 1/4-20 hex nut.

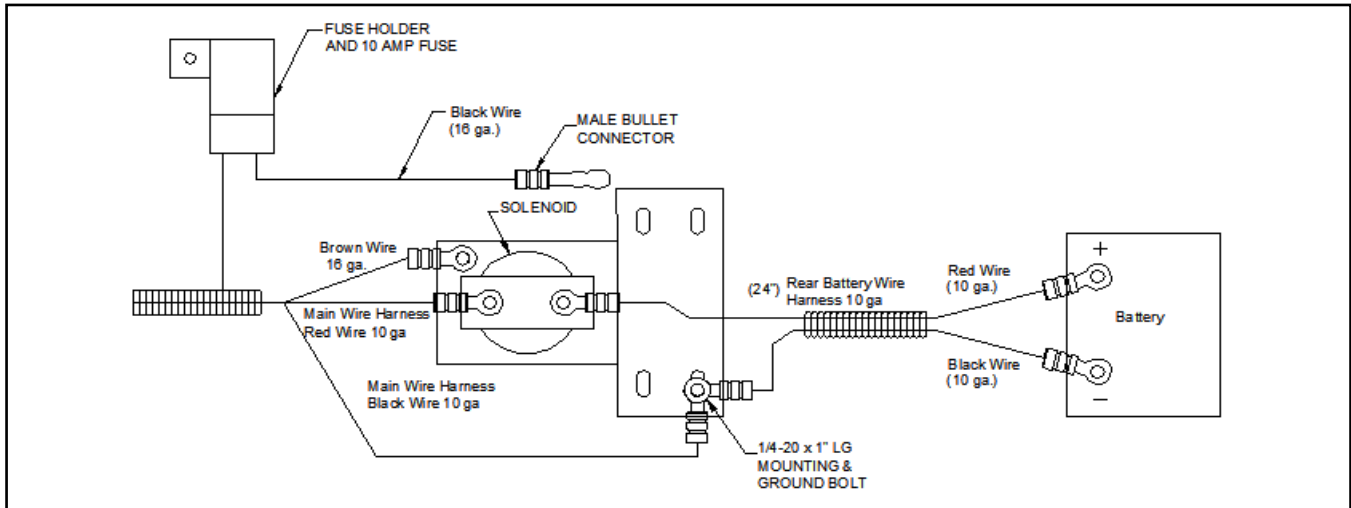


Fig. 3.7 (Main Harness and Battery Connection)

- 3.7** Route the Red 10 ga. wire from the Main wire harness to the post on the solenoid as shown in Fig 3.7. Then attach the Red 10 ga. wire from the rear battery wiring harness to the opposite post on the solenoid. Attach the ring terminal end of the 16 ga. Brown wire onto the smaller stud at the base of the solenoid and tighten with nut supplied.
- 3.8** Connect the UTV Plow Harness female connector to the vehicle's keyed connector as shown in fig. 3.8.
- 3.9** Route the 9-pin Controller plug under the dash on the driver's side and cable tie to cross tube under the dash for easy access (NOTE: make sure wires do not interfere with operation of pedals).
- 3.10** Check the routing of both the front and rear wiring harnesses to be sure they are away from heat sources and moving parts. Secure harnesses in place using cable ties. Reinstall the vehicle's front storage compartment and close the vehicle hood.
- 3.11** Re-connect the battery. Make sure to reconnect the positive terminal first. Plug the controller into the 9-pin connector under the dash. Keep the switch turned to the off position until you are ready to use the plow. Turn the controller on with switch on top of unit before use.

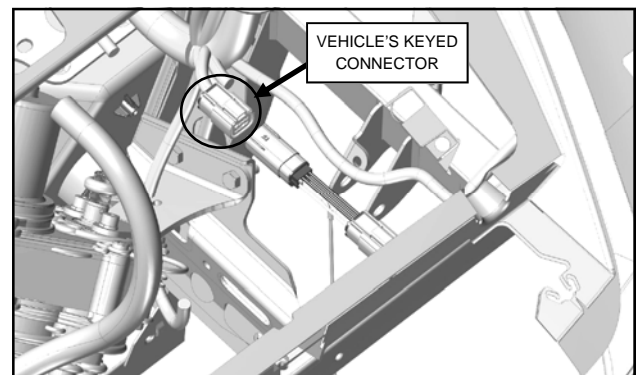
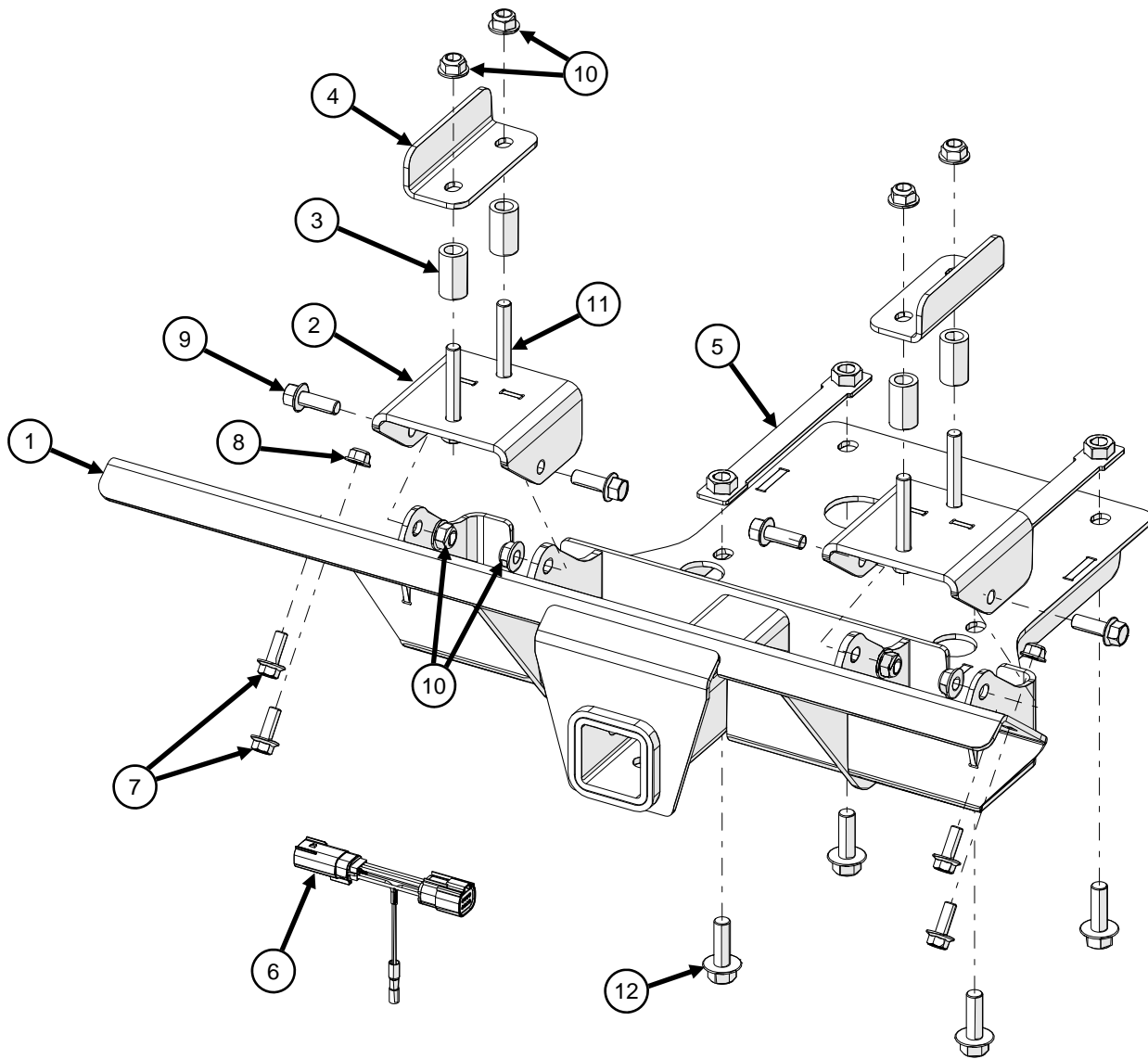


Fig. 3.8 (Vehicle's Keyed Connector)

JOHN DEERE GATOR XUV 835-865 PLOW MOUNT KIT



ITEM NO.:	QTY REQ'D:	SERVICE P/N:	DESCRIPTION AND QTY. PER SERVICE P/N:
1	1	8SV-WA-00242	MOUNT WELDMENT, JD835P (QTY: ONE)
2	1	8SV-WA-00241	HANGER WELDMENT, JD835P (SET OF 2)
3	1	8SV-T-00181	HANGER TUBE, JD835P (SET OF 4)
4	1	8SV-SM-01077	HANGER TOP PLATE, JD835P (SET OF 2)
5	2	8SV-WA-00254	ANCHOR STRIP WELDMENT, JD835P (QTY: ONE)
6	1	9SV-WH-00091	UTV PLOW WIRE HARNESS, JD835P (QTY: ONE)
7	4	N.S.S.	3/8-16 X 1" HEX FLANGED BOLT, GRADE 8
8	2	N.S.S.	3/8-16 HEX FLANGED LOCKNUT, GRADE 8
9	4	N.S.S.	7/16-14 X 1-1/4" HEX FLANGED BOLT, GRADE 8
10	8	N.S.S.	7/16-14 HEX FLANGED LOCKNUT, GRADE 8
11	4	N.S.S.	7/16-14 X 2-3/4" HEX FLANGED BOLT, GRADE 8
12	4	N.S.S.	1/2-13 X 1-1/2" HEX FLANGED BOLT, GRADE 8

N.S.S. = not sold separately