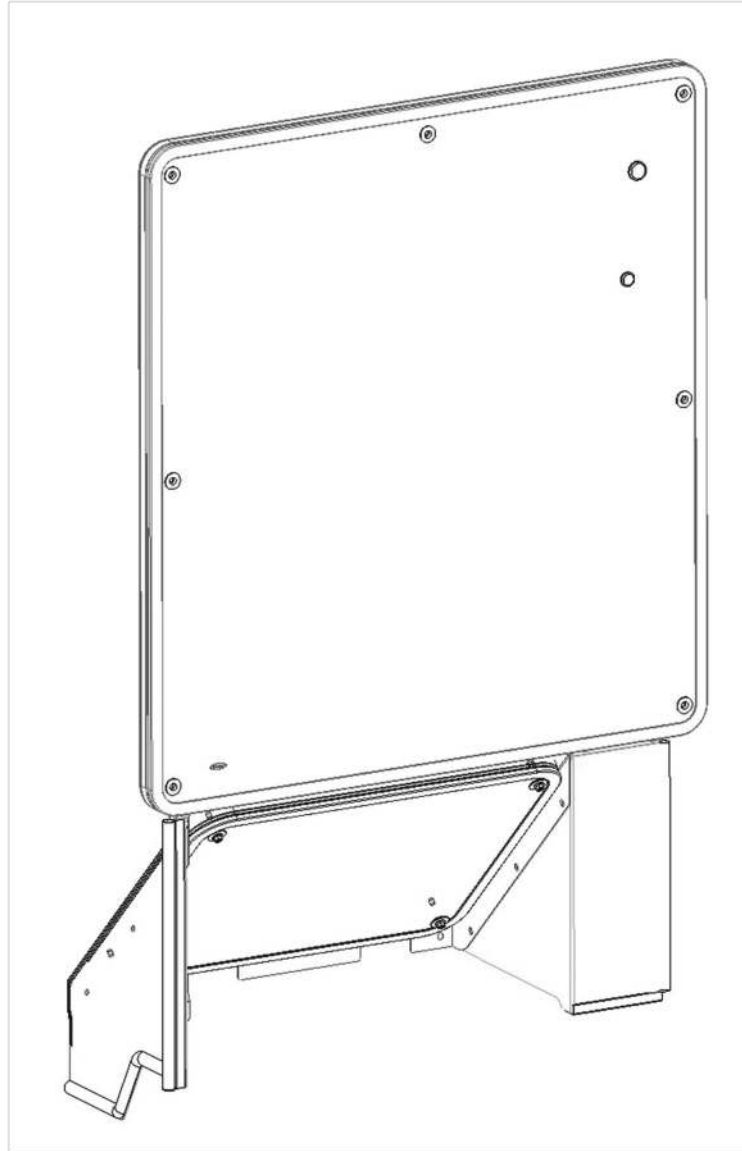




Kubota L47 Alternate Rear Panel
P/N: 1KTLBL47RP



Approximate Installation Time *
Experienced Dealer Technician – 2 Hours
Average Dealer Technician – 2-3 Hours
Do-It-Yourself – 3-4 Hours

(*=Not including accessories)

Approximate Product Specifications
Fits Under the Factory Roof on Rear of Cab
Weight: 58 lbs.

The contents of this envelope are the property of the owner. Leave with the owner when installation is complete.

Rev. C, 12/30/2019

p/n: IM-1KTLBL47RP

TABLE OF CONTENTS

TABLE OF CONTENTS	2
INTRODUCTION	3
SAFETY INFORMATION	3
CARE & MAINTENANCE	4
GENERAL INFORMATION	4
TOOLS REQUIRED	4
INSTALLATION	5-6
SERVICE PARTS BREAKDOWN & OPTIONAL ACCESSORY WIPER	7

INTRODUCTION

Curtis cabs feature an assembly of parts designed for your vehicle which require adjustment and alignment of components to accommodate vehicle variations and provide proper weather protection. For accurate installation, proper operation, and years of satisfaction, please read and understand the installation and owner's manual fully prior to installing the Rear Panel Kit.

From all of us at Curtis, we thank you for choosing our product.

SAFETY INFORMATION

WARNING:

- Read and understand this entire manual and any other publications for the equipment being operated.
- This Rear Panel adds additional weight to the base vehicle. Deduct the accessory's total weight (see front cover) from the vehicle's rated capacity including operator. Never operate the vehicle outside of its rated weight capacity.
- Use proper personal protective equipment during all phases of installation, removal and operation.
- Ensure that the surrounding area is clear and that personnel are positioned away from the area where engagement and disengagement of attachments will occur.
- Always shut off engine when leaving the operator's area to perform any portion of the listed procedures.
- **Exposure to Carbon Monoxide can cause illness, serious injury or death.** Never operate vehicle if suspicious of Carbon Monoxide. Inspect exhaust system for leaks monthly. Leaks can result from loose connections, corrosion, cracks or other damage to the exhaust manifold. If leaks are found, repair or replace exhaust system. Do not use vehicle until repair or replacement is complete.

Serious injury or death:

- This Rear Panel does not provide protection from rollover or other accidents.
- This Rear Panel does not provide protection from flying objects including golf balls.
- This Rear Panel does not provide protection from lightning. When lightning threatens, take cover and do not operate vehicle.

California Proposition 65

WARNING

Engine exhaust, some of its constituents, certain vehicle components and fluids, contain or emit chemicals known to the State of California to cause cancer and birth defects or other reproductive harm.

CARE & MAINTENANCE

Check and tighten all hardware after 20 hours of operation. Periodically inspect and tighten hardware for the remainder of the unit's service life. Keep the enclosure components clean in order to prevent dust and dirt from forming an unattractive film. The life of your cab components depend upon following these care procedures:

1. **NEVER USE AN ABRASIVE DETERGENT / VEHICLE CLEANER OR A WIRE BRISTLED BRUSH.** Do not use any **CITRUS BASED CLEANERS** such as orange or lemon.
2. Clean the enclosure surfaces thoroughly with warm soapy water and a COTTON cloth or chamois. Be sure to use mild soap, specifically a dish liquid or equivalent. Clean in a light circular motion for best results.
3. Remove grease and oil with mineral spirits and a COTTON cloth or chamois.

GENERAL INFORMATION

All installation procedures listed within this manual are generally representative of the machine model for which the manual is written. Your machine may be configured differently (e.g. SP1 vs. SP2, etc.), but the outline for the procedure should still be followed. For further support for any issues not covered within the pages of this manual, please contact Curtis Industries.

TOOLS REQUIRED:

Standard and Metric Wrenches
Standard and Metric Sockets
Torque Wrench
5/32" Allen Wrenches (T-Handle Recommended)
#2 Phillips Head Screwdriver
Wire Snips/Crimpers
Heat Gun

INSTALLATION

STEP 1: Vehicle Prep

- 1.1 Remove the backhoe and backhoe cab per the instructions in the cab installation manual IM-1KTLBL47.

STEP 2: Rear Cab Panel Assembly

- 2.1 Attach the right filler to the center filler with (3) 1/4-20 x 5/8" button head bolts, 1/4" steel washers, and 1/4" hex nuts (see Figure 2.1).
- 2.2 Fasten upper flange of right filler to center filler with (2) 1/4-20 x 5/8" hex bolts and 1/4" hex nuts (see Figure 2.2).
- 2.3 Attach the left filler to the center filler with (3) 1/4-20 x 5/8" button head bolts, 1/4" steel washers, and 1/4" hex nuts. Fasten upper flange of left filler to center filler with (1) 1/4-20 x 5/8" hex bolt and 1/4" hex nut (see Figure 2.3).

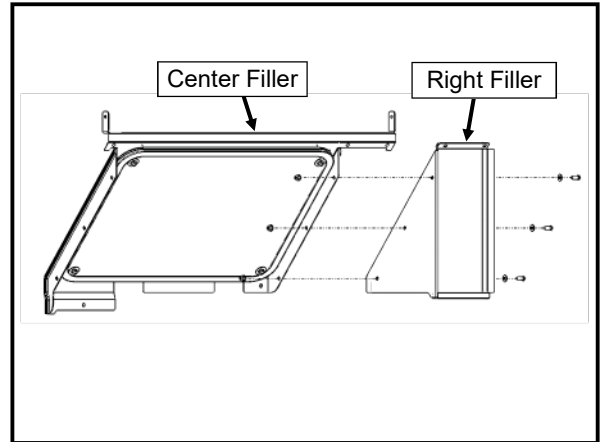


Figure 2.1: Rear Cab Panel Assembly, Right

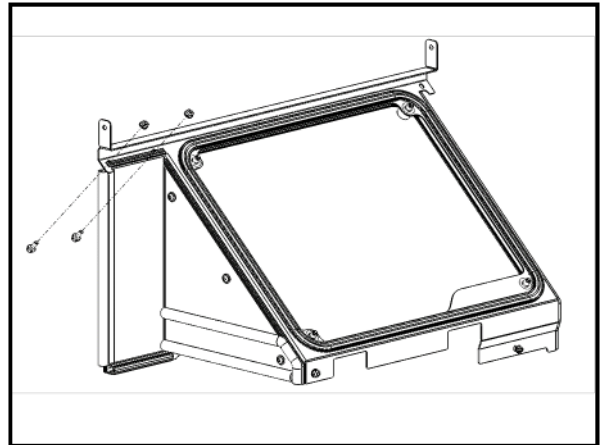


Figure 2.2: Rear Cab Panel Assembly, Right

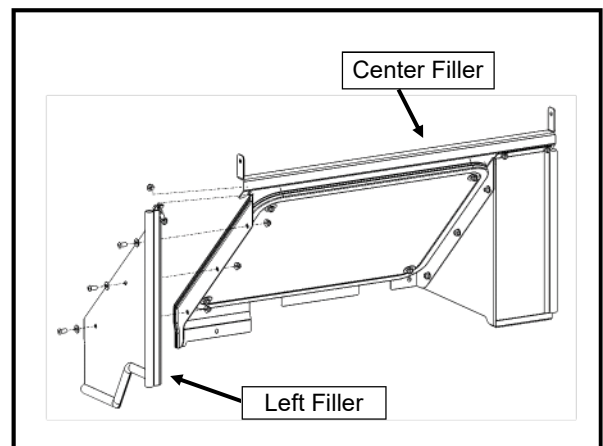


Figure 2.3: Rear Cab Panel Assembly, Left

INSTALLATION

STEP 3: Rear Cab Panel Install

- 3.1 Per Figure 3.1, install the assembled rear cab panel to the cab using (2) 1/4-20 x 5/8" hex bolts through the upper tabs into the rear panel tube.
- 3.2 Attach the assembled rear cab panel to the vehicle seat platform using (1) #10-32 truss head machine screw on the left (driver's) side, and (1) 1/4-20 hex bolt with 1/4" hex nut on the right side (see Figure 3.2).

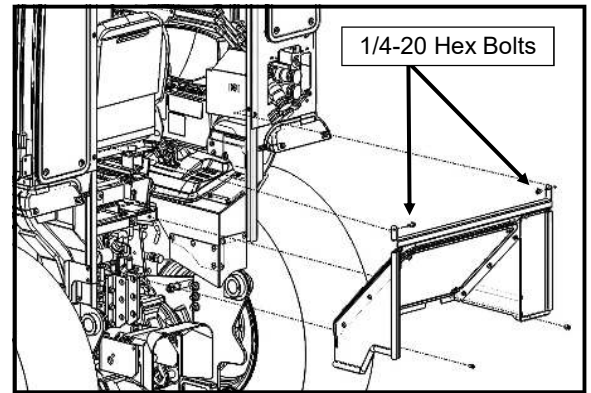


Figure 3.1: Rear Cab Panel Install

STEP 4: Rear Cab Panel Glass

- 4.1 Install the rear cab windshield to the cab using (7) 1/4-20 x 1-1/2" hex bolts and 1/4" steel fender washers into the rear panel (see Figure 4.1).

STEP 5: Optional Accessory Wiper

- 5.1 If installing an optional accessory wiper, remove the two factory installed plastic plugs from the rear cab panel glass (see Figure 4.1). Do not pry from the outside. Push out from the inside to avoid damaging the glass.
- 5.2 Secure wiper motor to rear cab panel glass per instructions found with wiper kit.
- 5.3 Cut the supplied wire harness down to approx. 12" and join together with the provided heat shrinkable butt terminals.

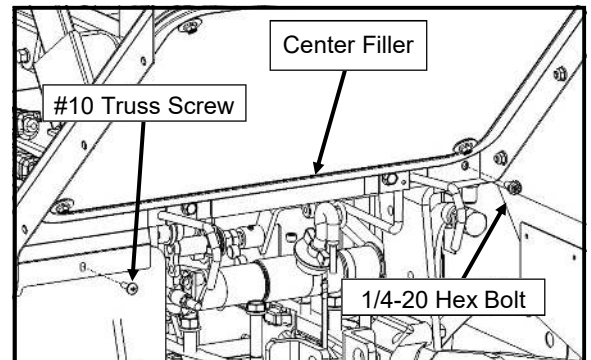


Figure 3.2: Install lower bolts

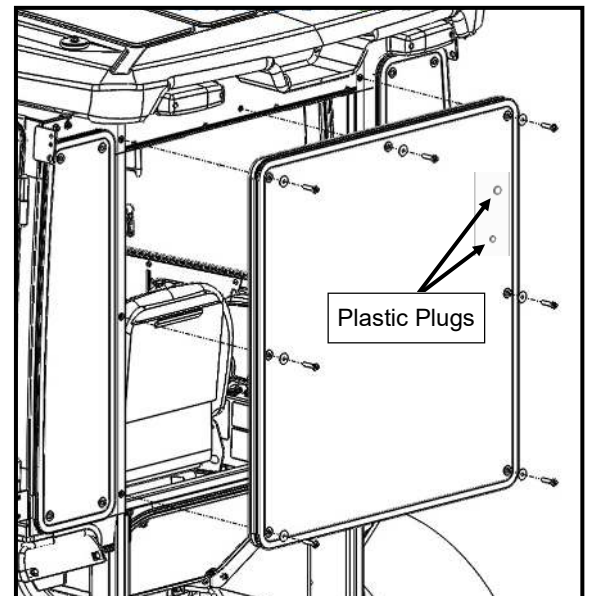
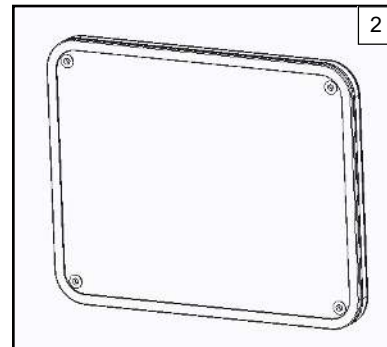
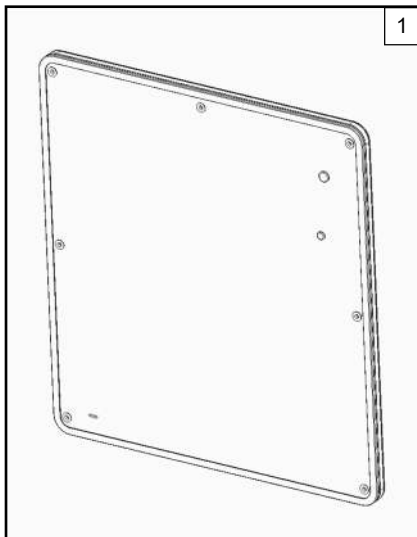


Figure 4.1: Rear Panel Glass

SERVICE PARTS BREAKDOWN

KUBOTA L47 ALTERNATE REAR PANEL

ITEM #:	PART NUMBER:	QTY/KIT:	DESCRIPTION:
1	8SV-K6247-06A	1	OPTIONAL REAR CAB PANEL GLASS ASSEMBLY, KUBOTA M62/L47
2	8SV-K6247-CFGA	1	LOWER WINDOW GLASS ASSY, KUBOTA M62/L47



OPTIONAL ACCESSORY WIPER

PART NUMBER:	QTY/KIT:	DESCRIPTION:
9PWK8520F	1	12V 85 DEGREE SWEEP WIPER KIT (W/20" FLEX BLADE)