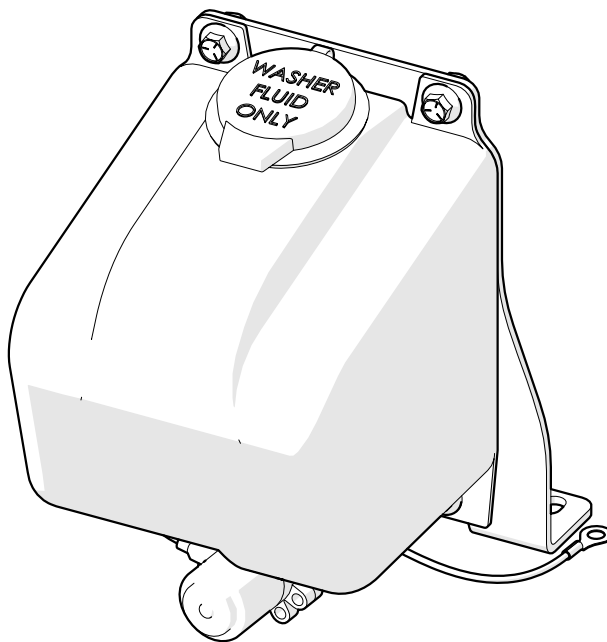




**CLUB CAR CARRYALL
1500 / 1700
WINDSHIELD WASHER KIT
p/n: 47617518001**

INSTALLATION & OWNER'S MANUAL



Approximate Installation Time *
Experienced Dealer Technician – 20 Minutes
Average Dealer Technician – 30 Minutes
Do-It-Yourself – 45 Minutes

Approximate Product Specifications

(* = Not including accessories)

The contents of this envelope are the property of the owner. Leave with the owner when installation is complete.

Rev. A, 6/1/2018

p/n: IM-47617518001

WARNINGS, TIPS, & REQUIRED TOOLS

For accurate installation, proper operation, and years of satisfaction, please read and understand the installation and owner's manual fully prior to installing the windshield washer kit.

From all of us at Curtis, we thank you for choosing our product.



NOTICE

Curtis Cabs, blades and general accessories add additional weight to the base vehicle. All Curtis accessory weights are listed in product brochures. Deduct the accessory's total weight from the vehicle's rated capacity and never exceed the vehicle's rated capacity including driver and passenger.



WARNING *Exposure to Carbon Monoxide can Cause illness, serious injury or death.* Never operate vehicle if suspicious of Carbon Monoxide. Inspect exhaust system for leaks monthly. Leaks can result from loose connections, corrosion, cracks or other damage to the exhaust manifold. If leaks are found, repair or replace exhaust system. Do not use vehicle until repair or

TOOLS REQUIRED:

- #2 Phillips screwdriver
- 3/8", 7/16", 8mm and 10mm open-end wrenches or sockets
- Wire cutters
- Measuring tape
- Hand drill with 19/64" (.297") drill bit
- Flat screwdriver, small
- Windshield washer fluid

INSTALLATION

1. Washer Reservoir/Pump Installation:

- 1.1 Connect the supplied rubber hose to the washer pump, located at the bottom of the reservoir.
- 1.2 Open the front hood. Remove and retain the M8 bolt and large washer from the Carryall frame. See figure 1.2.
- 1.3 Attach the reservoir bracket to the frame via the M8 bolt, with the washer above the bracket, and the provided 1/4-20 x 3/4" bolt and nut, as shown. See figure 1.3.
- 1.4 Remove the screw from the ground lug on the Carryall frame next to the washer bracket, and install the black wire from the washer pump onto the ground lug. See figure 1.3.

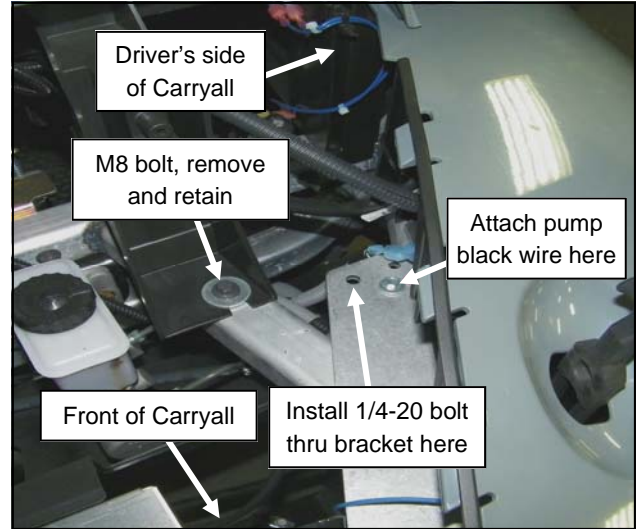


Fig. 1.2

2. Washer Nozzle Installation:

- 2.1 Measure from the rear and center seam of the hood as shown and drill a 19/64" (.297") hole into the Carryall hood. See Figure 2.1.
- 2.2 Install the washer nozzle into the hood and tighten the nut underneath, with the nozzle pointed to the windshield. Connect the rubber hose from the pump to the washer nozzle. Carefully open and close the hood to ensure the hose does not pinch or snag.

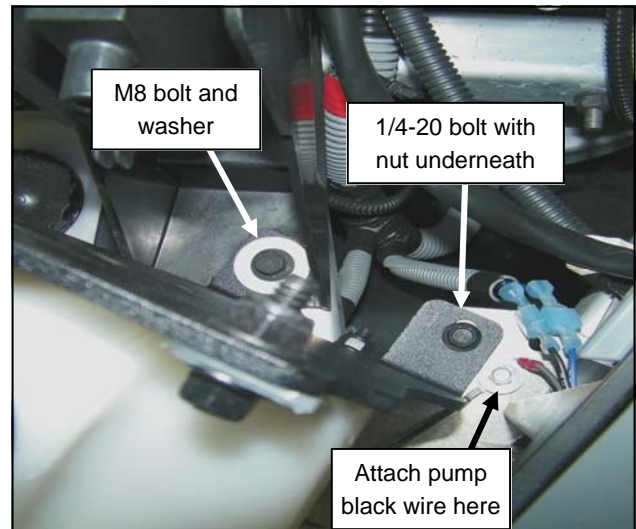


Fig. 1.3

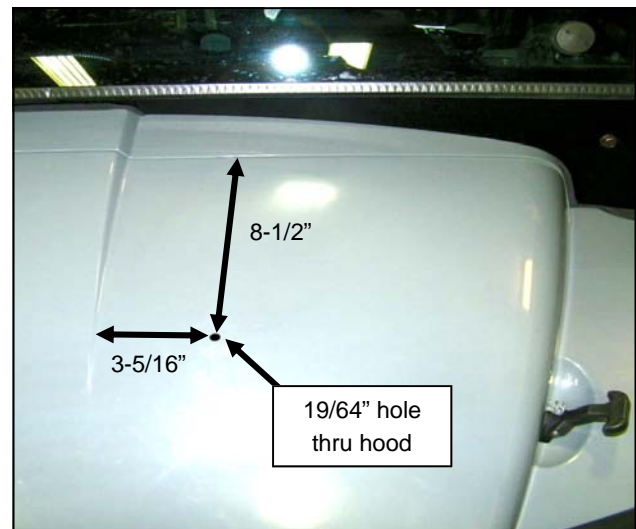


Fig. 2.1

INSTALLATION

3. Wiring, Console Preparation:

NOTE: If the Console is already installed, remove the internal mirror (if applicable) from its bracket, remove the four 1/4-20 screws from the corners of the console, and allow the console to hang from the windshield support via the tethers attached to the console.

If the console is not installed, steps 3.1 through 3.5 can be performed on a work bench.

- 3.1 Remove one of the switch plugs from the console and install the washer switch as shown. See Figure 3.1.

NOTE: If also installing a Heater kit, install the heater switch into the slot next to the existing switches, and the washer switch in the slot farthest to center.

- 3.2 Install the Windshield Washer harness onto the switch and route wire loom covered leg of the harness to the left of the console. Attach the Washer harness to the main console harness with 8" cable ties. See figure 3.2.

NOTE: The washer harness fits through the gap between the side flange of the console panel and the Carryall frame.

- 3.3 Remove and retain the three #10-32 screws and nuts holding the fuse block bracket to the console panel. Connect the push-on terminals of the Washer harness to the fuse block terminals as shown. Connect the black wire to any terminal of the ground block, and the red wire to the fuse terminal indicated. See Figure 3.3.
- 3.4 Install the included 3 amp fuse into the fuse block, at the slot connected to the Washer harness.
- 3.5 Re-install the fuse block panel to the console with the three #10-32 screws outside the console, and nuts inside. Make sure no wires are pinched under the fuse block bracket.

- 3.6 Secure the wires between the fuse block and washer switch to the rest of the wires in the console with 4" cable ties. See figure 3.6.

NOTE: Use the 8" cable ties instead of 4" when installing a heater kit.

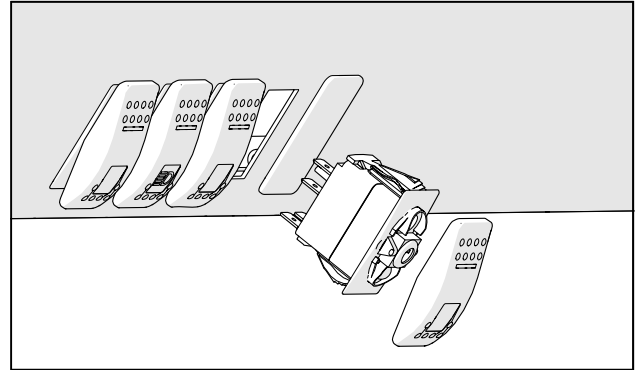


Fig. 3.1

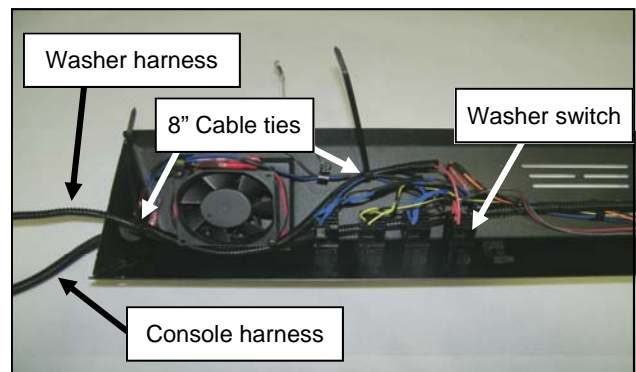


Fig. 3.2

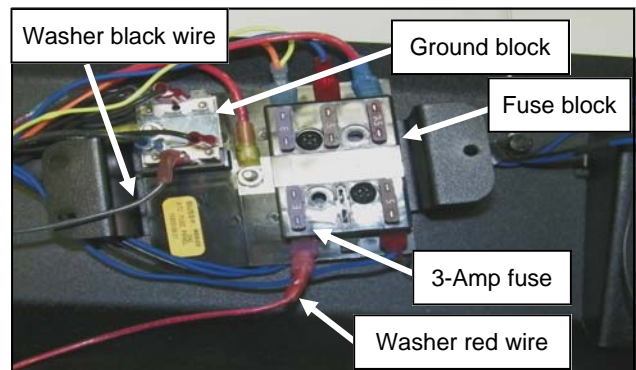


Fig. 3.3

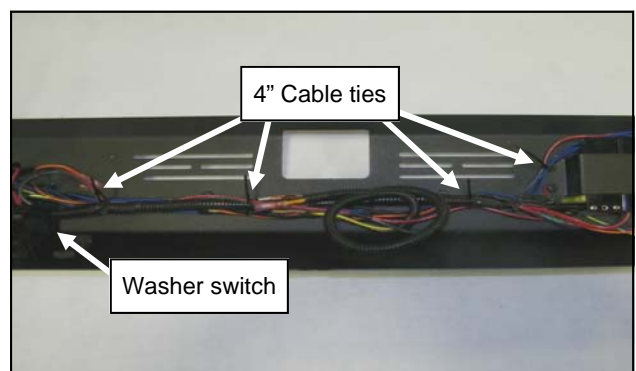


Fig. 3.6

INSTALLATION

4. Wiring, Harness Routing:

- 4.1 Install the Console panel to the Windshield Support with the four 1/4-20 bolts. Refer to the Console instructions if additional accessories will be installed.
- 4.2 Route the Washer Harness along with the Console harness along the inside flange of the cab A-pillar and secure with 8" cable ties. If the Console was previously installed, cut the cable ties and use new ties around both harnesses. See Figures 4.2.1 and 4.2.2.
- 4.3 Route the washer harness underneath the dashboard toward the front compartment of the Carryall. See Figure 4.3.
- 4.4 Inside the front compartment, route the washer harness above the frame between the washer reservoir and the Carryall front fascia, under the front of the reservoir and connect the push-on terminal from the harness onto the washer pump. See Figure 4.4.
- 4.5 Turn the Carryall ignition on and verify the Washer switch lights up. Briefly press the washer button and listen for the washer pump to verify the system functions properly. Turn the ignition off.

5. Washer Nozzle Adjustment:

- 5.1 Fill the washer reservoir with washer fluid to at least an inch of fluid depth. Turn the ignition on, press the windshield washer button and observe where the nozzle sprays onto the windshield.
- 5.2 Adjust the washer nozzle by rotating the nozzle left or right, and up or down using a small flat screwdriver in the nozzle tip.

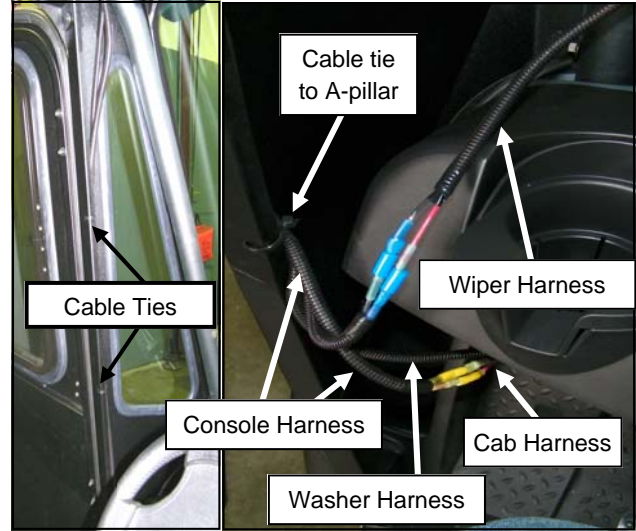


Fig. 4.2.1

Fig. 4.2.2

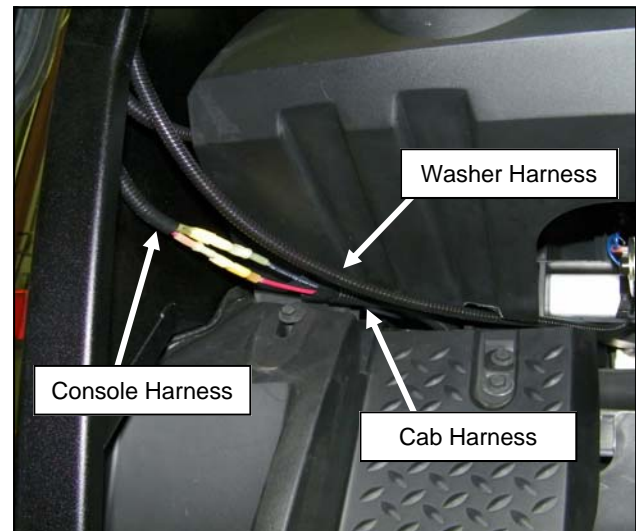


Fig. 4.3

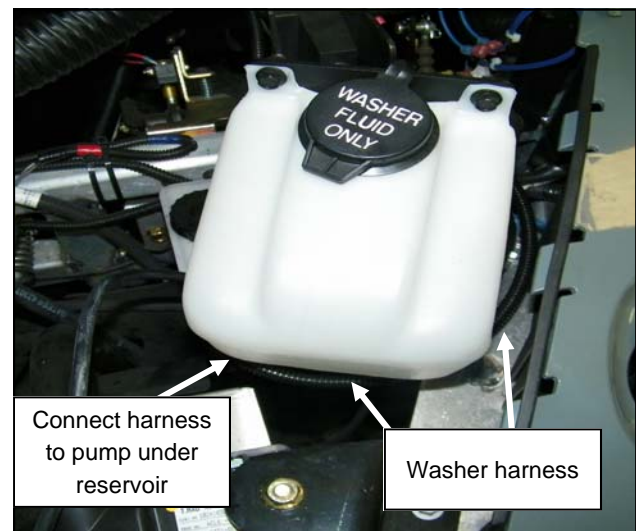


Fig. 4.4

SERVICE PARTS

#	PART NUMBER.	DESCRIPTION	QTY.
1	9PWW2	1/2 GALLON WASHER PUMP	1
2	8SV-SM-00616	MOUNTING BRACKET, WINDSHIELD WASHER	1
3	9SV-9PWW6	WINDSHIELD WASHER NOZZLE, WIDE ANGLE	1
4	9SV-9PWWH-3/16	3/16" RUBBER WASHER HOSE	15 FT
5	9SV-WH-00064	WIRE HARNESS, WINDSHIELD WASHER	1
6	9SV-OHC-22	LIGHTED 2 POSITION SWITCH, CARLING (OFF-MOMENT ON)	1

