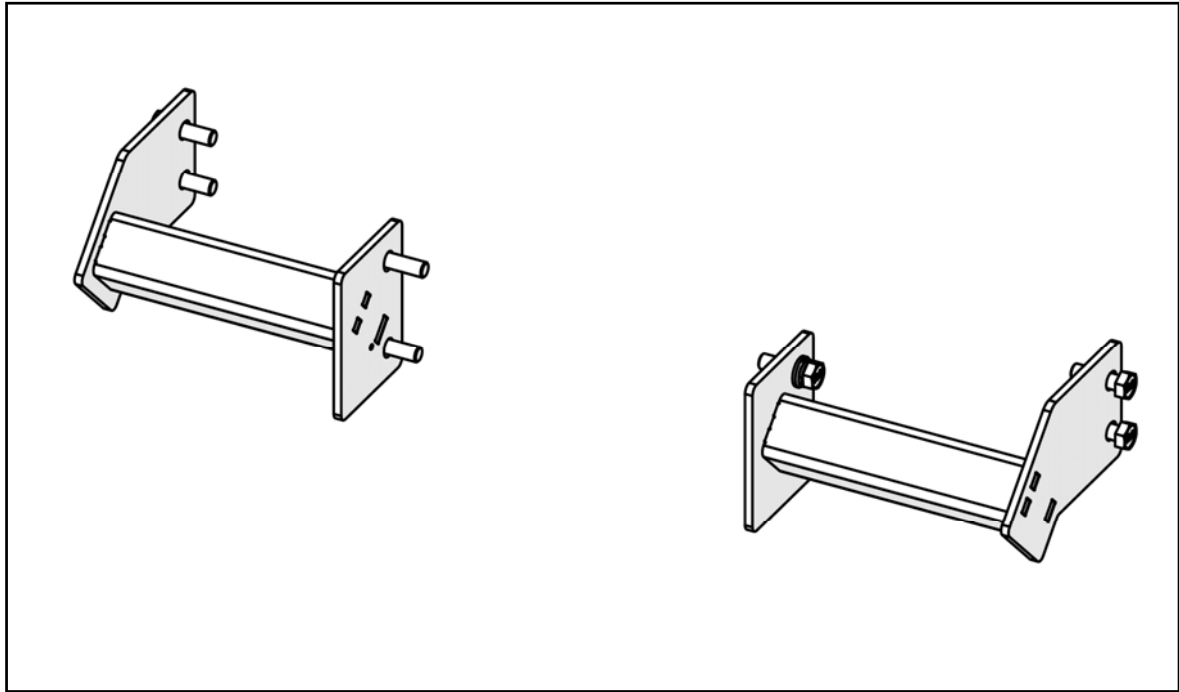




NEW HOLLAND WORKMASTER 25S
Adapter Kit (p/n: 1NHWM25SAK)
Fits Tractor Model: Workmaster 25S



The contents of this envelope are the property of the owner. Leave with the owner when installation is complete.

Rev. A, 01/29/2021

p/n: IM-1NHWM25SAK

TABLE OF CONTENTS

WARNINGS, TIPS, & REQUIRED TOOLS2
 ADAPTER KIT INSTALLATION3

WARNINGS, TIPS, & REQUIRED TOOLS

For accurate installation, proper operation, and years of satisfaction, please read and understand the installation and owner’s manual fully prior to installing the adapter kit.

From all of us at Curtis, we thank you for choosing our product.

⚠️ WARNING *Exposure to Carbon Monoxide can Cause illness, serious injury or death.*
Never operate vehicle if suspicious of Carbon Monoxide. Inspect exhaust system for leaks monthly. Leaks can result from loose connections, corrosion, cracks or other damage to the exhaust manifold. If leaks are found, repair or replace exhaust system. Do not use vehicle until repair or replacement is complete.

California Health and Safety Proposition 65 Warning: This product may contain chemicals known to the state of California to cause cancer and birth defects or other reproductive harm.

GENERAL INFORMATION BEFORE YOU START

HELPFUL HINTS:

- Read and understand all instructions before beginning.

TOOLS REQUIRED:

- 19 mm socket
- 19 mm open-end wrench
- 3/8” Drive Ratchet with Extension

ADAPTER KIT INSTALLATION

STEP 1: (INSTALLATION)

1.1 Remove the fuel filler from its clip as shown on fig. 1.1.

1.2 Per fig. 1.2, install left adapter to the left side of the tractor with the hardware listed below. Fully tighten to New Holland Factory Specification.

Hardware Used	Qty
M12x1.75 x 40 LG Hex Head Screw	2
M12 Lock Washer	2
M12 Flat Washer	2

Tools required

19 mm socket or wrench

1.3 Repeat step 1.2 for the right side of the tractor.

1.4 Click the fuel filter back into place as show in figure 1.1.

Note: *The additional (4) M12x1.75 x 40 LG Hex Head Screws are provided when mounting the cab onto the cab adapters.*

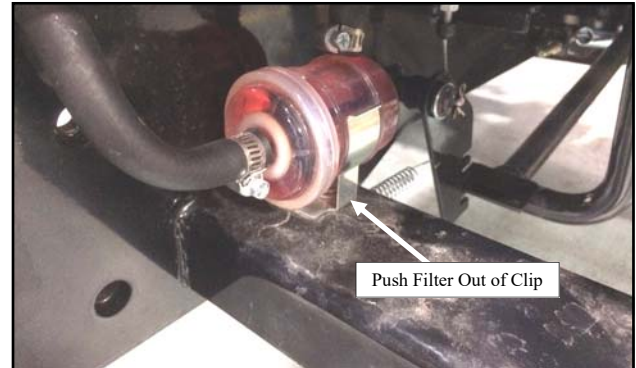


Figure 1.1 (Move Fuel Filter, Left Side)



Figure 1.2 (Install Left Adapter)