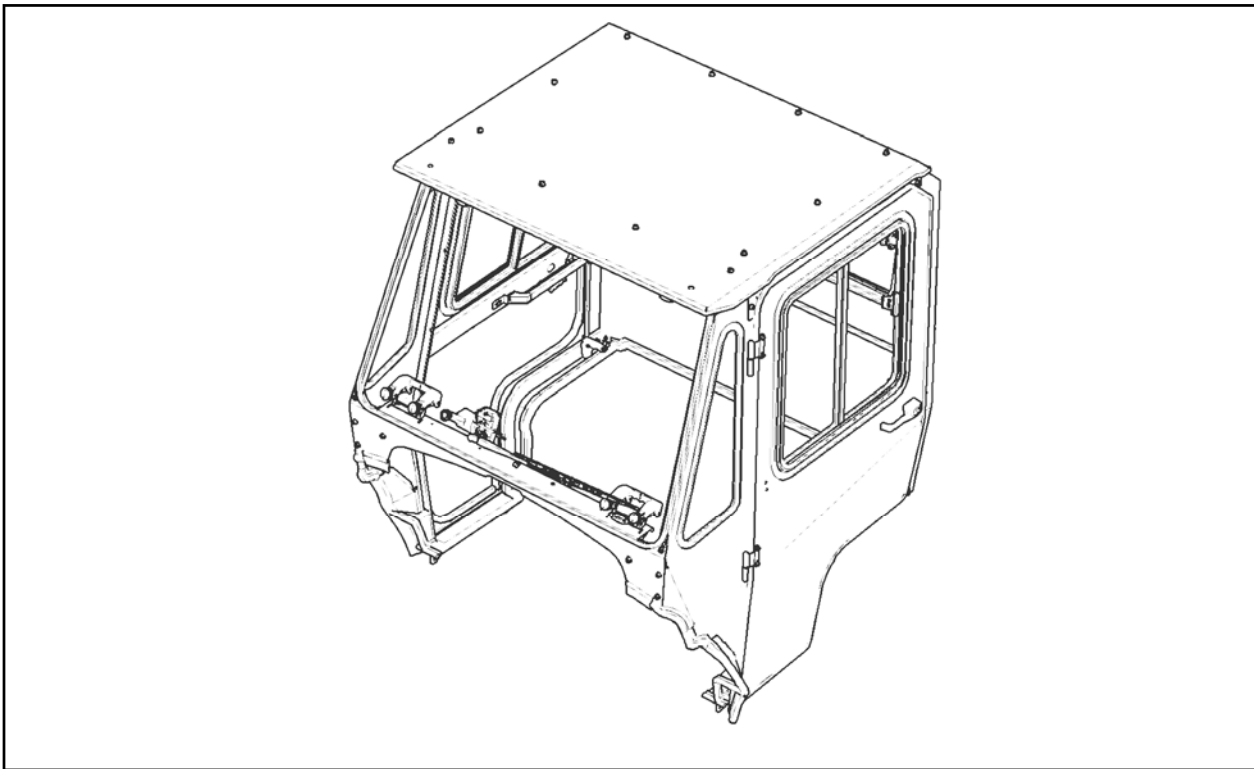




**Club Car Carryall 4x4 2-Seater Cab  
Complete Cab Assembly  
p/n: 47617513001  
compatible with Carryall 1500 and XRT 1550 models  
(Note: for gasoline engines, the following kit is also  
required: Harness, Relay, p/n: 47641905001)**

The contents of this manual are the property of the owner.  
Be sure to leave with the owner when installation is complete.



**CAB COMPONENTS AND OPTIONS:**

- 47617513001..... Kit, Cab, Complete, Curtis
- 47617522001..... Kit, Console, Overhead, Curtis
- 47587421001..... Kit, Dome Light, Curtis\*
- 47587418001..... Kit, Beacon, Curtis\*
- 47587419001..... Kit, Work Light, Front, Curtis\*
- 47617515001..... Kit, Heater, Curtis\*
- 47617518001..... Kit, Windshield Washer, Curtis
- 47587416001..... Kit, Mirror, Interior, Curtis
- 47587417001..... Kit, Mirror Set, Side, Curtis

\* Requires 47617522001 (Overhead Console)

Approximate Installation Time *
Experienced Dealer Technician – 3 Hours
Average Dealer Technician – 3.5 Hours
Do-It-Yourself – 4 Hours

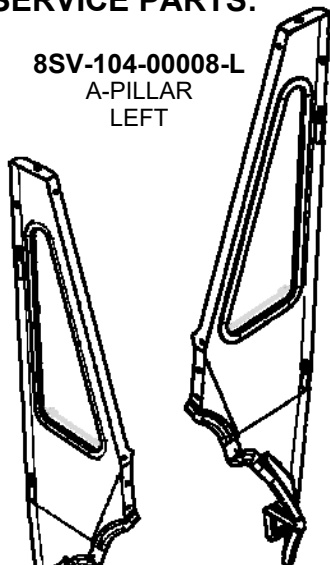
\* Not including accessories

**BEFORE YOU START:**

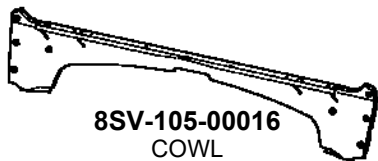
- Read and understand all instructions before beginning.
- To assist with the cab installation, leave all bolts loose for later adjustment unless otherwise specified.
- Use caution to avoid damaging the factory installed threaded inserts. Begin the bolt engagement by hand to guard against potential cross threading.

**SERVICE PARTS:**

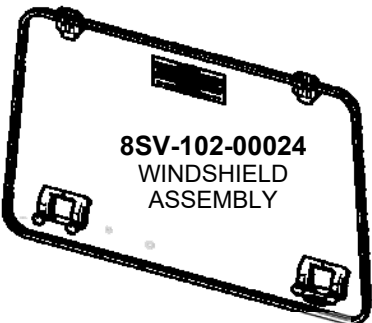
**8SV-104-00008-L**  
A-PILLAR  
LEFT



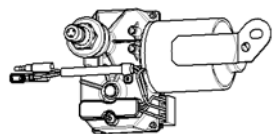
**8SV-104-00008-R**  
A-PILLAR  
RIGHT



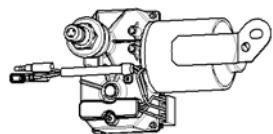
**8SV-105-00016**  
COWL



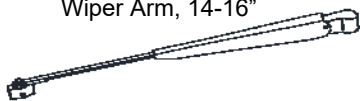
**8SV-102-00024**  
WINDSHIELD  
ASSEMBLY



**8SV-9PWM110-SA**  
WIPER MOTOR, 110°



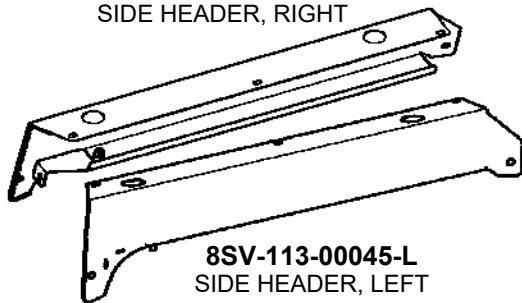
**9PWA14-16**  
Wiper Arm, 14-16"



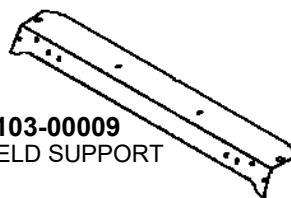
**9PWB20-FB**  
Wiper Blade, 20" Flex



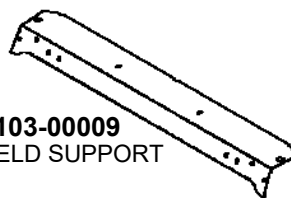
**8SV-113-00045-R**  
SIDE HEADER, RIGHT



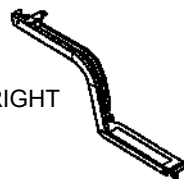
**8SV-113-00045-L**  
SIDE HEADER, LEFT



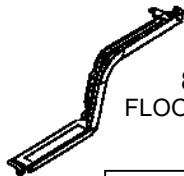
**8SV-103-00009**  
WINDSHIELD SUPPORT



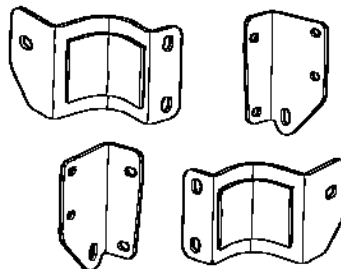
**8SV-113-00046-R**  
FLOORBOARD PANEL, RIGHT



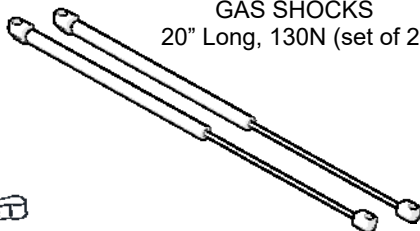
**8SV-113-00046-L**  
FLOORBOARD PANEL, LEFT



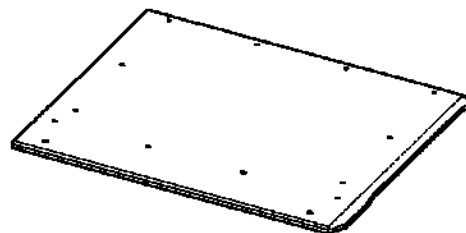
**8SV-110-00044**  
ROPS COWL BRACKETS, SET OF 4



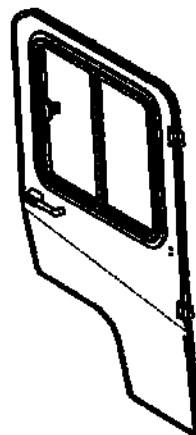
**9SV-GS12Q**  
GAS SHOCKS  
20" Long, 130N (set of 2)



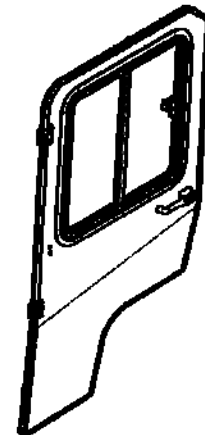
**8SV-101-00012**  
ROOF ASSEMBLY



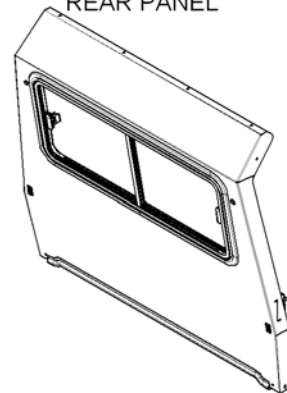
**8SV-107-00015-R**  
DOOR, RIGHT



**8SV-107-00015-L**  
DOOR, LEFT



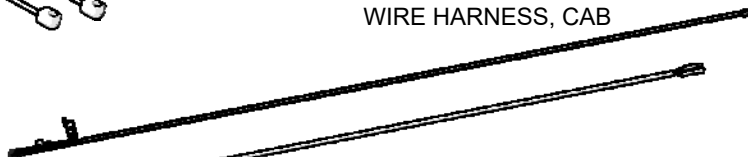
**8SV-106-00017**  
REAR PANEL



**9SV-WH-00082**  
FUSE HOLDER



**9SV-WH-00050**  
WIRE HARNESS, CAB



**9SV-WH-00051**  
WIRE HARNESS, WIPER



CONTINUED ON PAGE 15

**ADDITIONAL SERVICE PARTS:**

- **9SV-HWS** ..... Glass Hinge Kit with bushing and spacer blocks, (set of 2)
- **9SV-A9WL05** ..... Latch, Pop-Out, Double Arm, 3.5in Opening, 1 Piece
- **9PWK-HB** ..... Glass Mounting Kit for Wiper
- **9SV-GS02A** ..... Ball Studs, 10mm (bag of 10)
- **9SV-9PHW010-W** ..... Brass Hinge Washer (set of 4)
- **9SV-DSTRH** ..... Door Striker hardware
- **9SV-PRO2-15** ..... Standard Bulb Rubber, (5/8"), 15-Foot Length
- **9SV-PR38-15** ..... 3/4" Side Bulb Rubber 1/4" grip, 15-Foot Length
- **9SV-OHRLCC** ..... Outer Door Handle, set of 2
- **9SV-DL03** ..... Door Latch kit, non-locking w/ grab handle (set of left/right)
- **8SV-9SW-00011-L** ..... Sliding Window, Left, with rubber
- **8SV-9SW-00011-R** ..... Sliding Window, Right, with rubber
- **8SV-9SW-00012** ..... Sliding Window, Rear, with rubber
- **9SW-LATCH** ..... Sliding Window Latch
- **9SV-PR10-10** ..... Window Mounting Rubber, 10-Foot Length
- **9SV-PR17-20** ..... 3/4" Side Bulb Rubber 1/16" grip, 20-Foot Length
- **9SV-PR01-20** ..... Standard trim lock 20'
- **9SV-PR02-15** ..... Standard bulb rubber 15'
- **9SV-PR09-10** ..... Arch PSA rubber 10'
- **9SV-PR17-20** ..... Side Bulb rubber, 3/4" - 20'
- **9SV-PR19-10** ..... 1" Round Bulb rubber, - 10'
- **9SV-PR38-15** ..... 3/4" side bulb 1/4" Grip - 15'
- **9SV-PR39-5** ..... Foam Seal 1 X 1/8" - 5'
- **9SV-PR43-15** ..... 1/2" X 9/16" Rubber Foam- 15'
- **9SV-PR53-15** ..... Arch PSA rubber .2 X .15- 15'
- **9SV-DP02** ..... Dome Plug 1" (QTY 15)
- **9SV-DP11** ..... Dome Plug 1/2" (QTY 10)
- **9SV-DP01** ..... Dome Plug 7/16" (QTY 15)
- **9SV-DP10** ..... Dome Plug 3/8" (QTY 10)
- **8SV-HKWTB-R** ..... Hinge Kit, Top & Bottom, Left (front hinged)
- **8SV-HKWTB-L** ..... Hinge Kit, Top & Bottom, Right (front hinged)
- **9SV-9GR06** ..... Grommet Bumpers for Mirror Holes (QTY 4)

