

Club Car Carryall
Driving Range Enclosure
 p/n: 47587415002
compatible with Carryall models 300, 500, and 700

The contents of this manual are the property of the owner.
 Be sure to leave with the owner when installation is complete.



APPROXIMATE INSTALLATION TIME: 3 hours for full cab (not including accessories)

BEFORE YOU START:

- Read and understand all instructions before beginning.
- To assist with the cab installation, leave all bolts loose for later adjustment unless otherwise specified.
- Use caution to avoid damaging the factory installed threaded inserts. Begin the bolt engagement by hand to guard against potential cross threading.

Tools Required:

- T40 Torx driver
 - Ratchet with 3/8", 7/16", 1/2" and 9/16" sockets
 - (Optional) Air or electric powered socket driver
- NOTE: Powered driver is not recommended for bolts into threaded inserts in the roof and rear frame.
- 3/8", 7/16" and 1/2" and 9/16" open-end wrenches
 - 5/32", 3/16" and 7/32" Allen wrenches or drivers.
 - Power hand drill and 5/16" drill bit.

SAFETY INFORMATION:



WARNING

Cabs and general accessories add additional weight to the base vehicle. Deduct the accessory's total weight from the vehicle's rated capacity including driver and passenger. Never operate the vehicle outside of its rated weight capacity. Total weight of Range Enclosure assembly is approximately 200 lbs (90.7kg).



WARNING

Exposure to Carbon Monoxide can cause illness, serious injury or death. Never operate vehicle if suspicious of Carbon Monoxide. Inspect exhaust system for leaks monthly. Leaks can result from loose connections, corrosion, cracks or other damage to the exhaust manifold. If leaks are found, repair or replace exhaust system. Do not use vehicle until repair or replacement is complete.



WARNING

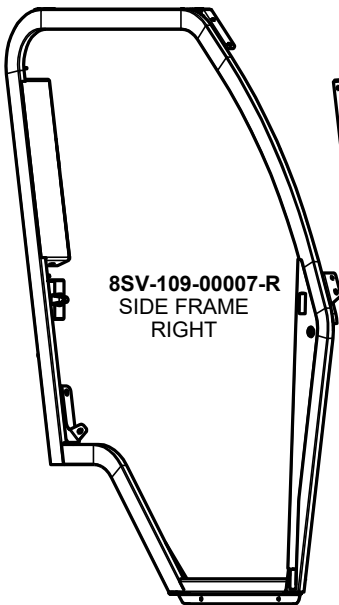
Serious injury or death: This cab enclosure does not provide protection from lightning or other storm-related hazards. When lightning threatens, take cover and do not operate vehicle.



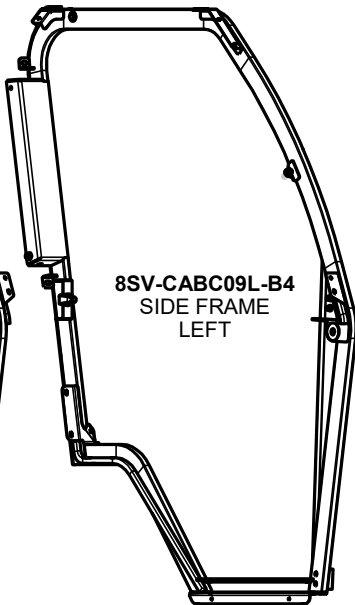
WARNING

Damaged doors and windows do not provide protection from golf ball impact. Do not use vehicle until repair or replacement is complete.

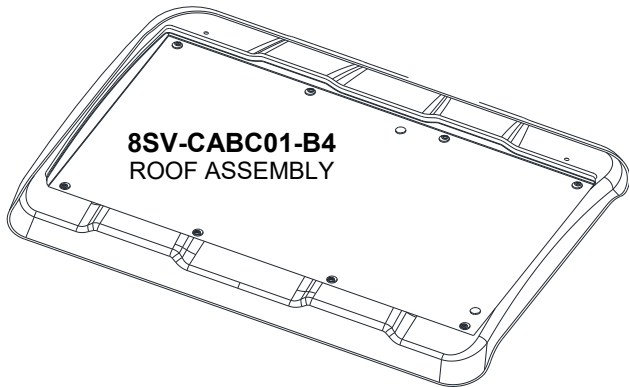
PARTS INCLUDED IN THIS KIT:



8SV-109-00007-R
SIDE FRAME
RIGHT



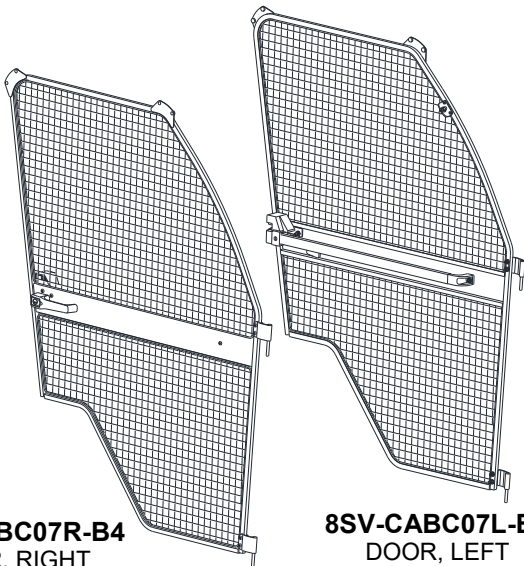
8SV-CABC09L-B4
SIDE FRAME
LEFT



8SV-CABC01-B4
ROOF ASSEMBLY

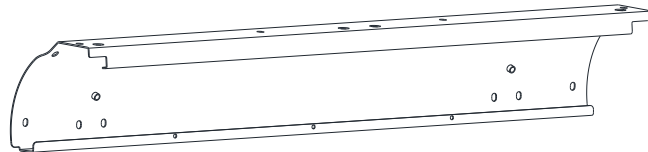


8SV-CABC03-B4 WINDSHIELD SUPPORT

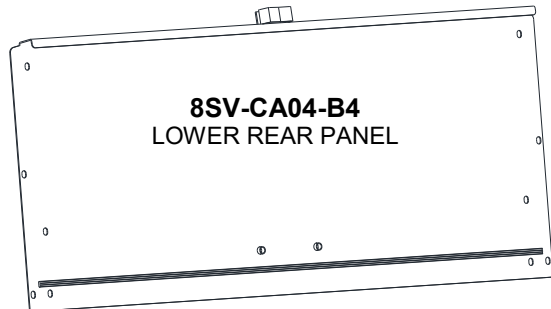


8SV-CABC07R-B4
DOOR, RIGHT
(Mounted to side frame)

8SV-CABC07L-B4
DOOR, LEFT
(Mounted to side frame)



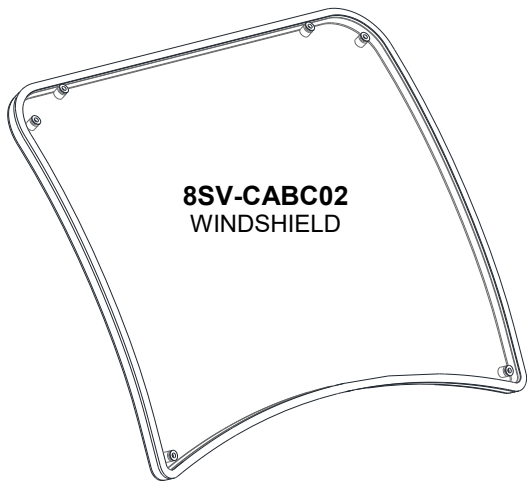
8SV-CA05-B4 UPPER REAR PANEL



8SV-CA04-B4
LOWER REAR PANEL

CONTINUED ON PAGE 3

PARTS IN THIS KIT (Continued):



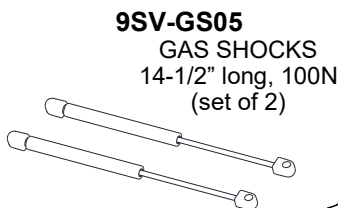
8SV-CABC02
WINDSHIELD



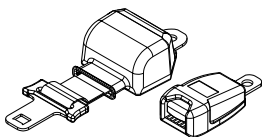
8SV-CABC06
REAR WINDOW



8SV-WA-00366
(QTY: 6)
REAR WINDOW
BRACKETS



9SV-GS05
GAS SHOCKS
14-1/2" long, 100N
(set of 2)



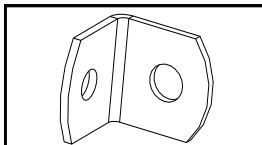
9SV-PR1 (QTY: 2)
SEAT BELTS, RETRACTOR &
LATCH



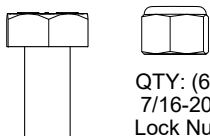
1" Dome Plugs
(QTY:2)



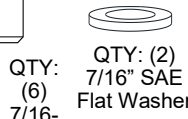
1/2" V-Groove Weather Seal
2 PCS, 50" Long
9SV-PR20-10 (10-Foot Length)



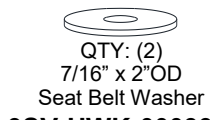
QTY: (2)
Seat Belt
Angle Bracket



QTY: (6)
7/16-20
Lock Nut



QTY: (2)
7/16" SAE
Flat Washer



QTY: (2)
7/16" x 2"OD
Seat Belt Washer
9SV-HWK-00039
SEAT BELT
HARDWARE KIT

QTY: (2)
3/8-16 x 1-1/4"
Button Head Bolt



QTY: (4)
1/4-20x 2-1/4"
Flanged Hex Bolt

QTY: (6)
5/16-18 x 1"
Flanged Hex
Bolt



QTY: (2)
3/8" SAE Flat
Washer



QTY: (8)
1/4" x 1"OD
Fender Washer



QTY: (24)
5/16-18 x 3/4"
Flanged Hex Bolt

QTY: (18)
5/16-18 Flanged
Lock Nut

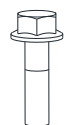


QTY: (4)
1/4-20 Flanged
Lock Nut



CA-HWK
CARRYALL HARDWARE KIT

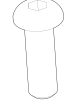
QTY: (6)
1/4-20x 1-1/2"
Flanged Hex Bolt



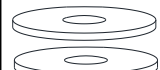
QTY: (6)
1/4-20 Flanged Lock Nut



QTY: (2)
5/16-18 x 3/4"
Flanged Hex
Bolt



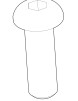
QTY: (12, Steel)
1/4" x 1"OD
Fender Washer



QTY: (2)
5/16-18
Flanged Lock
Nut



QTY: (6)
1/4-20 x 3/4"
BTN Head Bolt



CABC-HWK
CARRYALL RANGE CAB
HARDWARE KIT

WARNING

AVOID CRUSHING

• Do not jump or mash/ho type.

• Use seat belt at all times during operation.

ROLL-OVER PROTECTIVE STRUCTURE:

47587415001
47587415002
47587415003

To maintain seat-belted occupant protection and ROPS effectiveness:

- Replace damaged ROPS, do not repair or reuse.
- Any violation of ROPS must be reported immediately.

CERTIFICATION

ROPS - 180 3471

CLUB CAR
CARRYALL MODELS & MAXIMUM MASS:

300 - 884 kg
600 - 955 kg
950 - 1044 kg
700 - 1361 kg

CURTIS

9DL-213
ROPS
Certification
Decal

WARNING

Crush area.
Can cause severe injury.
Stay clear when closing bed.

L
A
T
C
H

O
P
E
N

9DL-158
Tilt Bed Warning Decal

WARNING

GASOLINE EXPLOSION / FIRE CAN CAUSE SERIOUS INJURY OR DEATH.

- No sparks or open flame near fuel or fuel tank.
- No smoking near fuel or fuel tank.
- Stop engine and allow to cool before refueling.

100044701

9DL-186
Gas/Fire Warning Decal

ADDITIONAL SERVICE PARTS:

- **9SV-RG**..... Rubber Window Grommets, set of 12
- **9SV-HSLP**..... Hinge Set with 1 each left and right hinge pins and 2 sleeves
- **9SV-OHRL**..... Outer Door Handle, set of 2
- **9SV-DL02**..... Door Latch kit, non-locking w/ grab handle (set of left/right)
- **8SV-SM-00105**... Door Latch Mounts (set of left/right)
- **8SV-CABC12-B4**... Rear Window Tab, set of 6
- **9SV-GS02A**..... Ball Studs, 10mm (bag of 10)
- **9SV-DSTRH**..... Door Striker hardware
- **9SV-PRO2-15**.... Standard Bulb Rubber, (5/8"), 15-Foot Length
- **9SV-PR38-15**.... 3/4" Side Bulb Rubber 1/4" grip, 15-Foot Length
- **8SV-CA01P**..... Plastic Roof Panel
- **8SV-CA01M-B4**... Metal Roof Panel
- **8SV-SM00182**.... Gas Spring Mount, Bolt On