



John Deere 3 Family

Premium Cab p/ : 1JD3FPR

Standard Cab p/ : 1JD3FST

Fits Tractor Models: 3033R, 3039R, 3046R



Premium Cab Shown with Optional Front LED Work Lights.

available Options:

1. Front LED Work Lights (p/n: 9LEDW4)
2. Rear LED Work Lights (p/n: 9LEDW3)
3. Front Wiper (p/n: 9PWK110) supplied with Premium Cab (optional with Standard Cab).
4. Rear Wiper (p/n: 9PWK85F)
5. Strobe Light (p/n: 9LEDS2)
6. Heater (p/n: 9PH20S57)

PROXIMATE INSTALLATION TIME: 4 HOURS (not including accessories)

The contents of this envelope are the property of the owner. Leave with the owner when installation is complete.

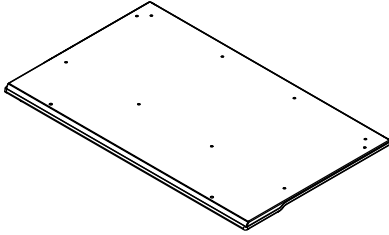
Rev. C, 4/20/2018

P/N: IM-1JD3FPR

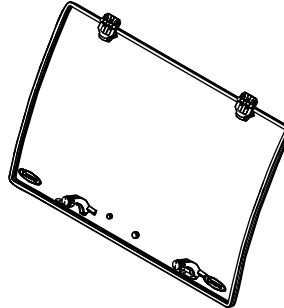
INSTALLATION & OWNER'S MANUAL

JOHN DEERE 3 F MILY PREMIUM & ST ND RD C B (P/N: 1JD3FPR & 1JD3FST)

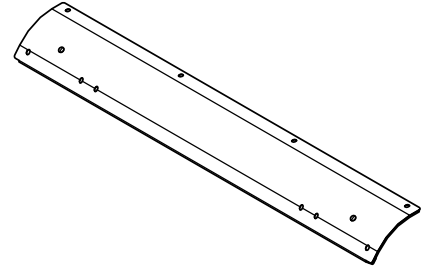
Roof ssy.
P/N: 8SV-101-00003



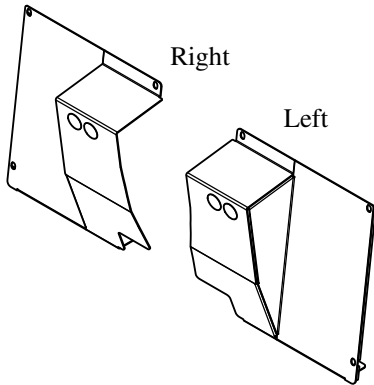
Windshield ssy.
P/N: 8SV-102-00004



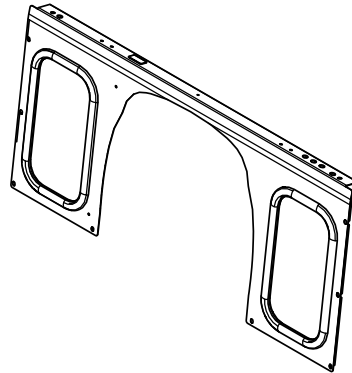
Windshield Support ssy.
P/N: 8SV-103-00002



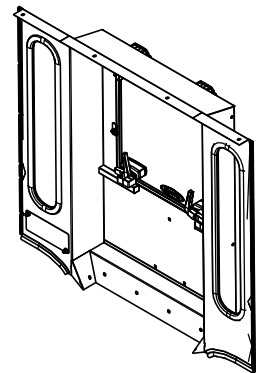
Front Legs:
Right P/N: 8SV-104-00002-R
Left P/N: 8SV-104-00002-L



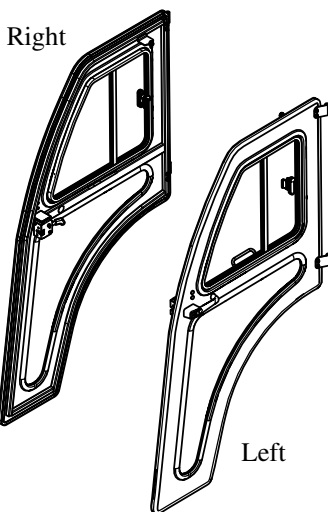
Cowl ssy.
P/N: 8SV-105-00002



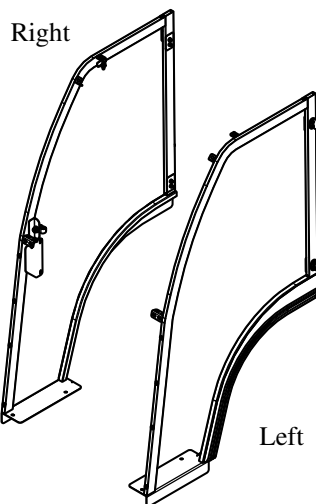
Rear Panel ssy.
P/N: 8SV-106-00002



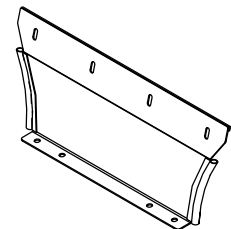
Premium Steel Doors:
Right P/N: 8SV-107-00002-R
Left P/N: 8SV-107-00002-L



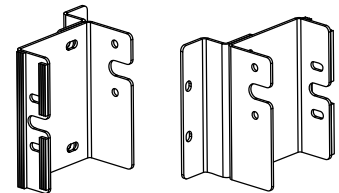
Side Frames:
Right P/N: 8SV-109-00003-R
Left P/N: 8SV-109-00003-L



Lower Rear Panel ssy.
P/N: 8SV-113-00003

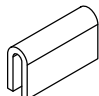
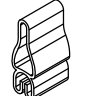
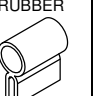
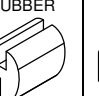
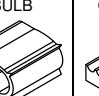
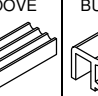
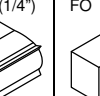
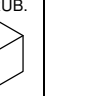


Roll Bar Bracket ssy.
Right P/N: P/N: 8SV-110-00010-R
Left P/N: P/N: 8SV-110-00010-L



Right

Left

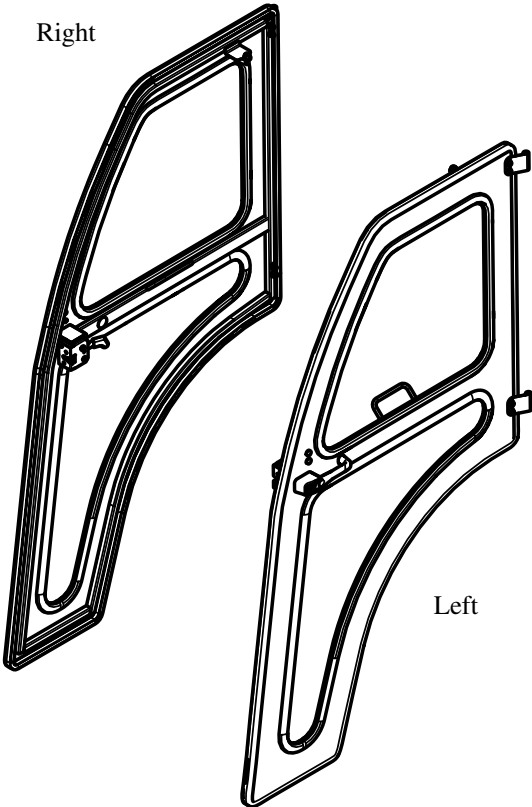
TRIM-LOK  9SV-PRO1-20	1" FL T BULB  9SV-PRO5-10	5/8" BULB RUBBER  9SV-PRO2-15	WINDOW RUBBER  9SV-PR10-10	3/4" SIDE BULB  9SV-PR17-20	1/2" V-GROOVE  9SV-PR20-10	3/4" SIDE BULB (1/4")  9SV-PR38-15	1/2" X 9/16" FO M RUB.  9SV-PR43-4
--	--	--	---	--	---	--	---

JOHN DEERE 3 F MILY ST ND RD C B (P/N: 1JD3FST)

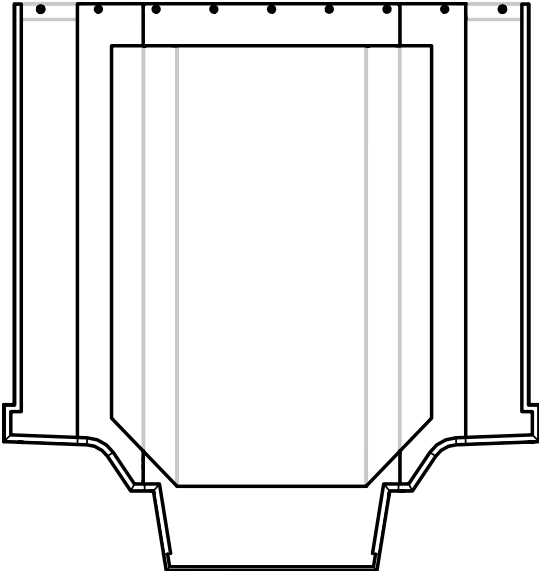
Standard Steel Doors:
Right P/N: 8SV-107-00006-R
Left P/N: 8SV-107-00006-L

Rear Curtain, Standard Cab
P/N: 8SV-112-00006

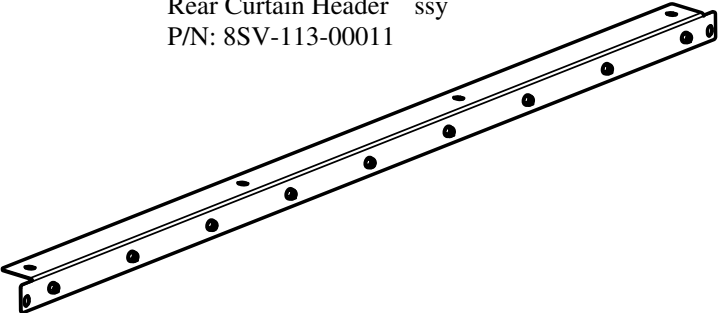
Right



Left



Rear Curtain Header ssy
P/N: 8SV-113-00011



ADDITION L SERVICE PARTS

QTY.	PART NUMBER:	DESCRIPTION:
1	HWK-00001	HARDWARE KIT JD3FPR
2	8SV-P-00001	RP SIDE WINDOW JD3F, 29.58 X 4.68
2	8SV-P-00006	LOWER DOOR WINDOW JD3F, 29.16 X 29.06
2	8SV-P-00007	COWL WINDOW JD3F, 15.94 X 8.31
1	8SV-SWXL	SLIDING DOOR WINDOW W/RUBBER-L
1	8SV-SWXR	SLIDING DOOR WINDOW W/RUBBER-R
1	8SV-WL3	WINDSHIELD LATCH & BRKT ASS'Y. SGL POST (SET OF L&R)
1	8SV-113-00001	REAR WINDOW ASSEMBLY JD4F
1	8SV-421015L-VC	VINYL FRONT FILLER-L JD3520 (BLACK)
1	8SV-421015R-VC	VINYL FRONT FILLER-R JD3520 (BLACK)
1	9PWA14-16	WIPER ARM, ADJUSTABLE LENGTH (11" - 16")
1	9PWB20-FB	WIPER BLADE, 20", FLEX
1	9PWK-HB	GLASS MOUNTING KIT FOR WIPER SYSTEMS
1	9PWM110	WIPER MOTOR, 110 DEGREE
1	9SV-DP01	DOMES PLUG 7/16" (BAG OF 15)
1	9SV-DP04	DOMES PLUG 1-1/8" (BAG OF 15)
1	9SV-DP11	DOMES PLUG 1/2" (BAG OF 10)
1	9SV-DSTR-2	DOOR STRIKER KIT (SET OF 2)
1	9SV-GSM	GAS SPRING MOUNT (SET OF 2)
1	9SV-GS02A	BALL STUDS, 10MM (BAG OF 10)
1	9SV-GS02Q	GAS SPRING, 12-3/8 EXT, 7-1/2 COMP, 22 LBS, QD END (FOR DOORS) (SET OF 2)
1	9SV-GS07	GAS SPRING, 17-1/8 EXT, 10-1/8 COMP, 45 LBS, STD ENDS (FOR REAR WINDOW) (SET OF 2)
2	9SV-HWS	WINDSHIELD HINGE KIT
1	9SV-HWSS	WINDSHIELD HINGE KIT WITH SHORT SPACER
1	9SV-IHRL	INSIDE HANDLE ROTARY LATCH KIT (INCL. L & R)
1	9SV-OHRL	OUTSIDE HANDLE ROTARY LATCH KIT (SET OF 2)
1	9SV-WH-00004	WIRING HARNESS, SWITCHED POWER (10 AMPS 2 ACCESSORIES MAX)
1	9SV-WL2	WINDSHIELD LATCH KIT 2 - FULLY OPENS W/S
1	8SV-P-00013	UPPER DOOR WINDOW, STANDARD CAB