

John Deere Gator XUV Factory Cab New Door Set p/n: 1GXUVFCNDS

The contents of this manual are the property of the owner.
Be sure to leave with the owner when installation is complete.



APPROXIMATE INSTALLATION TIME: 1 hour (not including accessories)

OPTIONS:

- 9LEDW2- Roof Mount 3" x 5" Oval LED Worklight Set
- 9LEDW3- 3" round LED Worklight Set
- 9PH20S30- UTV Heater
- 9LEDS2- Roof Mount LED Strobe Light
- 9LEDD10- Directional LED Swivel Dome Light
- 9PM5- Side View Mirror Kit

BEFORE YOU START:

- Read and understand all instructions before beginning.
- To assist with the door installation, leave all bolts loose for later adjustment unless otherwise specified.

SAFETY INFORMATION:

▲ WARNING: Cabs and general accessories add additional weight to the base vehicle. Deduct the accessory's total weight from the vehicle's rated capacity including driver and passenger. Never operate the vehicle outside of its rated weight capacity.

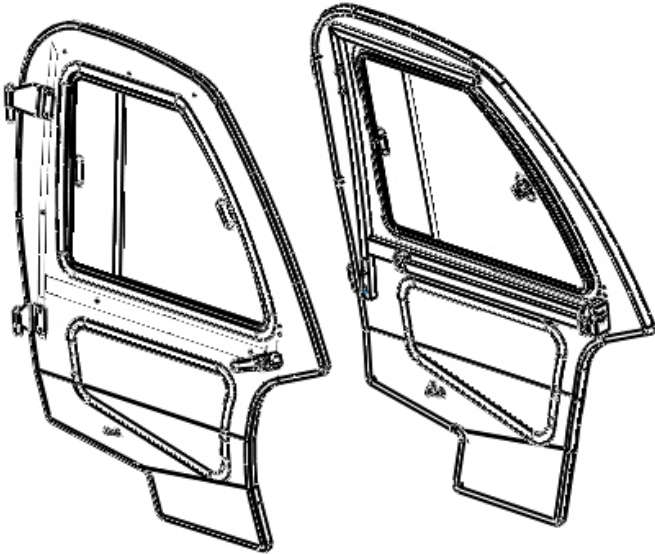
▲ WARNING: Exposure to Carbon Monoxide can cause illness, serious injury or death. Never operate vehicle if suspicious of Carbon Monoxide. Inspect exhaust system for leaks monthly. Leaks can result from loose connections, corrosion, cracks or other damage to the exhaust manifold. If leaks are found, repair or replace exhaust system. Do not use vehicle until repair or replacement is complete.

WARNING: Serious injury or death:

- This door set does not provide protection from flying objects including golf balls.
- This door set does not provide protection from lightning. When lightning threatens, take cover and do not operate vehicle.

PARTS IN THIS KIT:

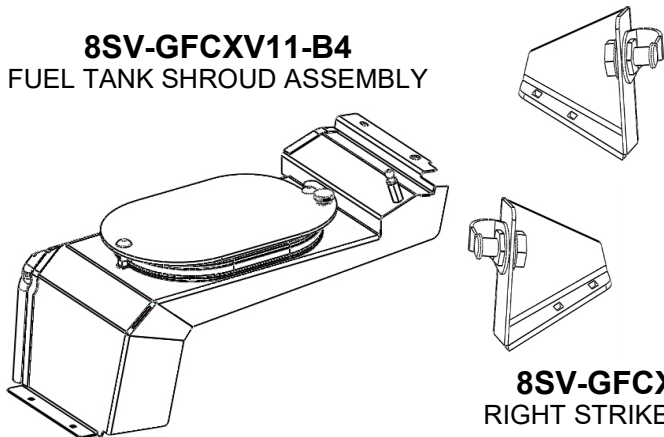
8SV-GFCXV07L-B4
LEFT DOOR, STEEL



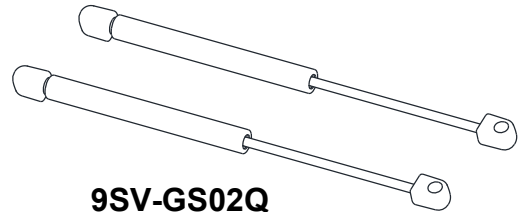
8SV-GFCXV07R-B4
RIGHT DOOR, STEEL

8SV-GFCXV08L-B4
LEFT STRIKER ASSEMBLY

8SV-GFCXV11-B4
FUEL TANK SHROUD ASSEMBLY

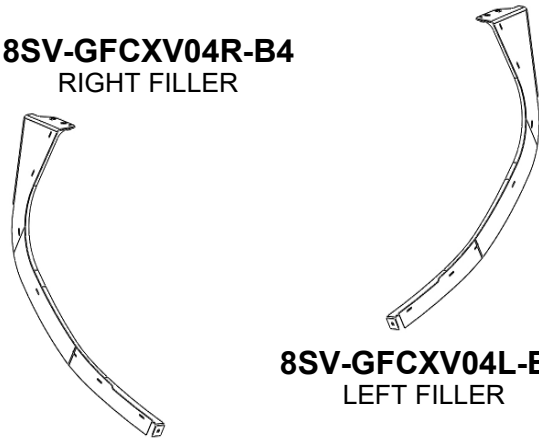


8SV-GFCXV08R-B4
RIGHT STRIKER ASSEMBLY



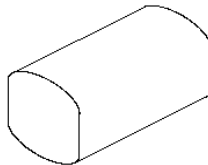
9SV-GS02Q
GAS SHOCKS
12" with Quick Release Ends
(set of 2)

8SV-GFCXV04R-B4
RIGHT FILLER

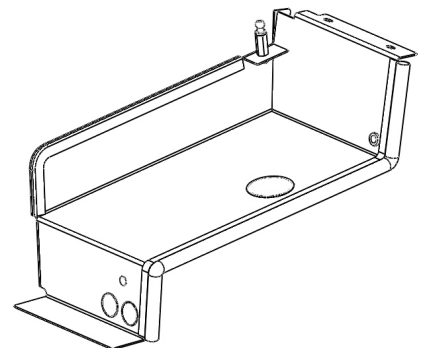


8SV-GFCXV04L-B4
LEFT FILLER

9SV-GFCXVNHWK
HARDWARE KIT



8SV-GFCXV10-B4
AIR INTAKE SHIELD



ADDITIONAL SERVICE PARTS:

- **8SV-GFCXVDHL-B4**..... Hinge Pin Set, top and bottom left
- **8SV-GFCXVDHR-B4**..... Hinge Pin Set, top and bottom right
- **9SV-GS02Q**.. Gas spring, 12" w/Q.R
- **9SV-DL01H-4**..... Keys for Door Handle (2 sets)
- **9SV-DL02** Door Latch kit, non-locking w/ grab handle (set of left/right)
- **8SV-SWGFC2L**..... Sliding Window, Left, with rubber
- **8SV-SWGFC2R**..... Sliding Window, Right, with rubber
- **8SV-GFCXVLW-L**..... Lower Window, Left, with rubber
- **8SV-GFCXVLW-R**..... Lower Window, Right, with rubber
- **9SV-PR38-15**..... 3/4" Side Bulb Rubber, 1/4" grip, 15-Foot Length
- **9SV-PR17-5**... 3/4" Side Bulb Rubber, 1/16" grip, 5-Foot Length
- **9SV-PR02-15**..... 5/8" Bulb Rubber, 1/16" grip, 15-Foot Length
- **9SV-PR16-10**..... 1" Side Bulb Rubber, 1/16" grip, 10-Foot Length
- **9SV-GS02A**.. Ball Studs, 10mm (bag of 10)
- **9SV-DSTR**... Door Striker Pins and Hardware (bag of 5)
- **9SV-GFCXVNHWK**..... Hardware kit
- **9SV-PRO1-10**..... Standard Trim Lok, 1/8" grip - 10 foot length
- **9SV-PR36-15**..... Rear Sliding Window - 15 foot length
- **9SV-PR39-5**.. Foam Seal, 1" x 1/8" - 5 foot length
- **9SV-PR40-5**.. Expand-a-Foam, 2" - 5 foot length
- **9SV-DP04**.... Dome Plug, 1-1/8", bag of 15
- **9SV-DP12**.... Dome Plug, 2-1/8", bag of 4
- **9SV-DP10**.... Dome Plug, 3/8", bag of 10
- **9SV-DSTRH**.. Door Striker Kit - includes case hardened striker bolt
- **9SV-IHRL**..... Inside Handle Rotary Latch Kit (includes a left and a right)
- **9SV-OHRL**... Outside Handle Rotary Latch Kit (set of 2)

Tools Required:

- Ratchet with 10mm, 13mm sockets, 13mm deep well, 17mm deep well sockets and 3" extension.
- 10mm, 13mm and 17mm open-end wrenches
- 2 19mm open-end wrenches
- 4mm Allen wrench or hex driver.
- Torx sockets or drivers
- Utility knife
- Clamp
- Hand drill with 1/4" drill bit