



Kawasaki Mule Pro-FX Cab p/n's: 1KAPFXCA & 1KAPFXCAS1 fits all Mule Pro 3-passenger models



Shown with optional front LED work lights, 4-way flashers, windshield wiper, and side view mirrors.

Available Options:

1. Front Wiper Kit (1KAPFXWK)*
2. Front LED Work Lights (P/N: 1KAPFXFWL)*
3. Rear LED Work Lights (P/N: 1KAPFXRWL)*
4. LED Corner Flasher Light Kit (P/N: 1KAPFXCFL)*
5. Strobe Light (P/N: 9LEDS2)*
6. Interior Dome Light (P/N 9LEDD14)*
7. Heater (P/N: 9PH20S61)
8. Side View Mirrors (P/N: 9PM5)
9. Rear View Mirror (P/N: 9PM3)
10. Fuse Panel kit (P/N 1KAPFXFP)

* Requires Curtis (P/N 1KAPFXFP) or Kawasaki (P/N KAF080-076) Fuse Panel Kit.

Approximate Installation Time *	Approximate Product Specifications
Experienced Dealer Technician – 3 Hours	Floorboard to Roof Height: 61 1/8"
Average Dealer Technician – 4 Hours	Weight: 293 lbs.
Do-It-Yourself – 5 Hours	Cab Width: 65 1/2"

(*=Not including accessories)

The contents of this envelope are the property of the owner. Leave with the owner when installation is complete.

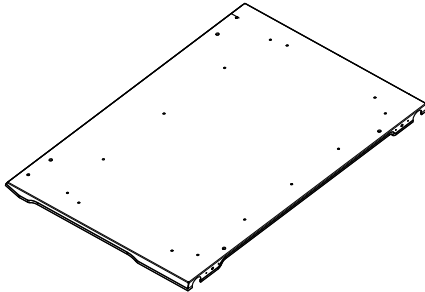
Rev. H, 12/20/2018

p/n: IM-1KAPFXCA

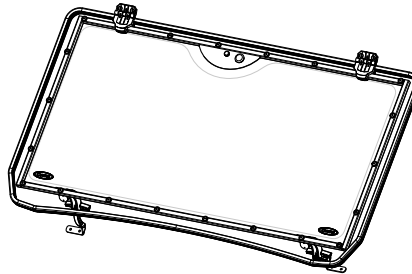
KAWASAKI PRO-FX CAB SERVICE PARTS

P/N 1KAPFXCA

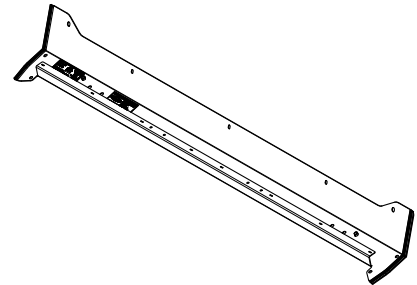
ROOF ASSEMBLY
P/N: 8SV-101-00008



WINDSHIELD ASSEMBLY
POLY. W/S: P/N: 8SV-102-00011
GLASS W/S: P/N: 8SV-102-00020



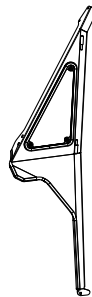
WINDSHIELD SUPPORT ASSEMBLY
P/N: 8SV-103-00006



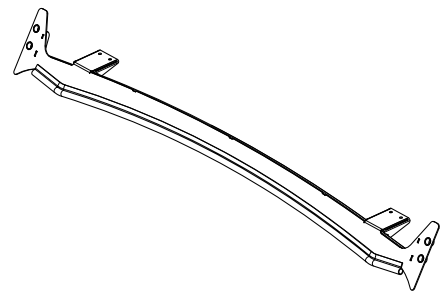
A-PILLAR, LEFT
P/N: 8SV-104-00005-L



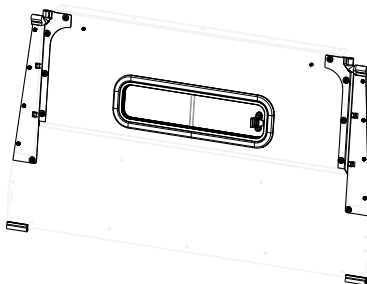
A-PILLAR, RIGHT
P/N: 8SV-104-00005-R



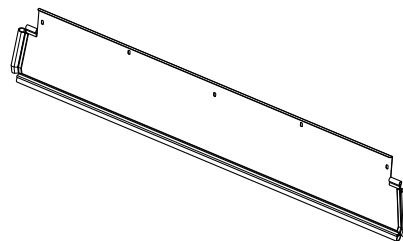
COWL ASSEMBLY
POLY. W/S: P/N: 8SV-105-00008
GLASS W/S: P/N: 8SV-105-00012



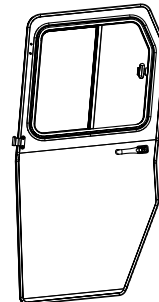
REAR PANEL ASSEMBLY, UPPER
P/N: 8SV-106-00011



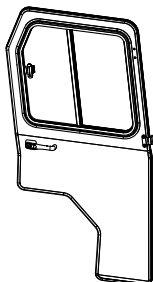
REAR PANEL ASSEMBLY, LOWER
P/N: 8SV-111-00007



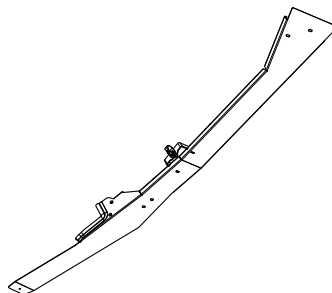
DOOR, LEFT
P/N: 8SV-107-00009-L



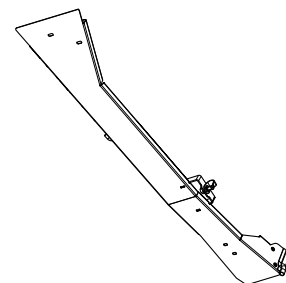
DOOR, RIGHT
P/N: 8SV-107-00010-R



REAR LEG ASSEMBLY, LEFT
P/N: 8SV-108-00005-L



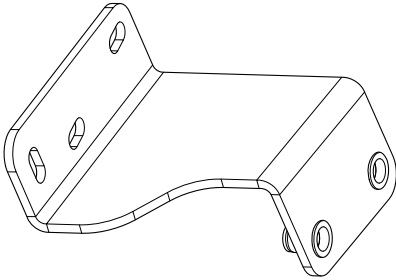
REAR LEG ASSEMBLY, RIGHT
P/N: 8SV-108-00005-R



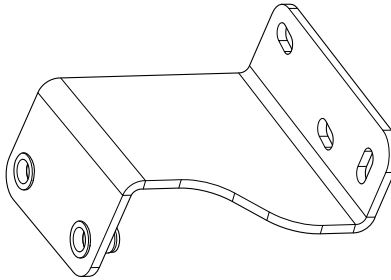
KAWASAKI PRO-FX CAB SERVICE PARTS

P/N 1KAPFXCA

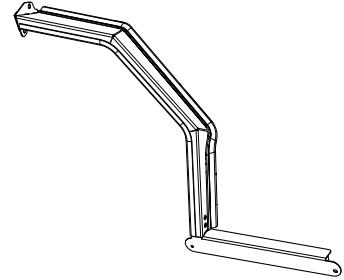
BRACKET, B-PILLAR ROPS, LEFT
P/N: 8SV-110-00024-L



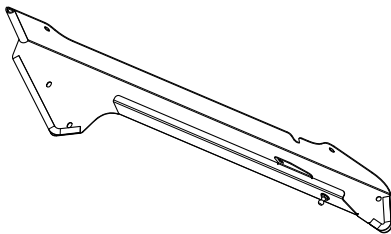
BRACKET, B-PILLAR ROPS, RIGHT
P/N: 8SV-110-00024-R



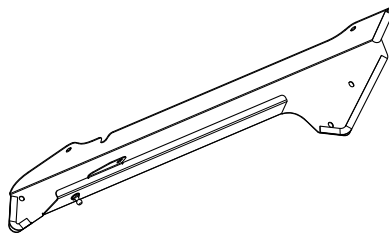
FUEL COVER PANEL
P/N: 8SV-111-00002



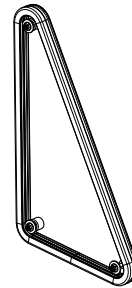
HEADER, LEFT
P/N: 8SV-113-00024-L



HEADER, RIGHT
P/N: 8SV-113-00024-R



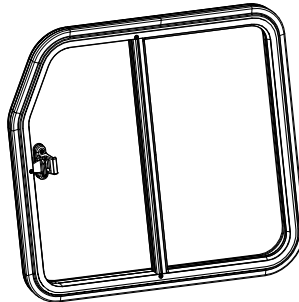
A-PILLAR WINDOW ASS'Y, LEFT
P/N: 8SV-9GL-00017-L



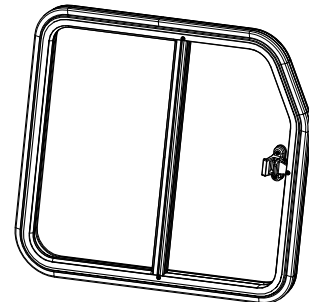
A-PILLAR WINDOW ASS'Y, RIGHT
P/N: 8SV-9GL-00017-R



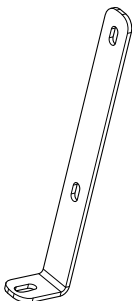
SLIDING WINDOW, LEFT
P/N: 8SV-9SW-00007-L



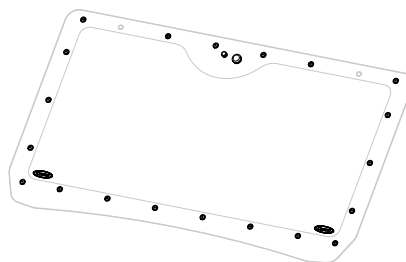
SLIDING WINDOW, RIGHT
P/N: 8SV-9SW-00007-R



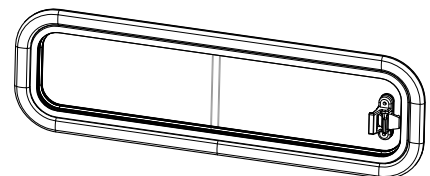
A-PILLAR BRACKET
P/N: 8SV-SM-00223



WINDSHIELD (WINDOW ONLY) W/ HARDWARE
P/N: 8SV-P-00019

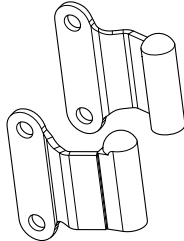


SLIDING WINDOW, REAR
P/N: 8SV-SWPFXR

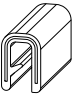

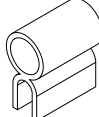

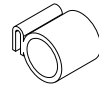
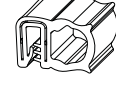

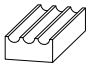
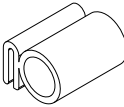
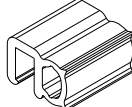
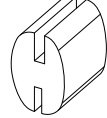
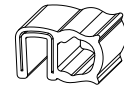
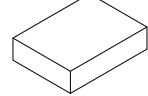
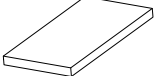


ADDITIONAL SERVICE PARTS

DOOR HINGE KIT
P/N: 8SV-PL-00001

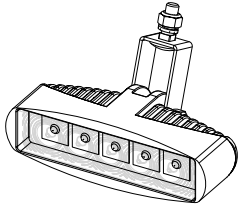


PART NUMBER	DESCRIPTION
9SV-HWK-00028	HARDWARE KIT
8SV-VKDRT-B4	DOOR WINDOW TAB, (SET OF 4)
8SV-WL3	WINDSHIELD LATCH KIT (1 SET, L&R)
9SV-DL03	DOOR LATCH KIT NON LOCKING WITH GRAB HANDLE (L & R)
9SV-DSTRH	DOOR STRIKER KIT-INCLUDES CASE HARDENED STRIKER BOLT
9SV-GS02A	BALL STUDS, 10MM (BAG OF 10)
9SV-GS02Q	GAS SPRING - 12" W/QUICK RELEASE END (SET OF 2) (FOR GLASS WINDSHIELD ONLY)
9SV-GS12Q	GAS SPRING, 20", 30LBS W/QUICK RELEASE END (SET OF 2) (FOR DOORS)
9SV-HWS	WINDSHIELD HINGE KIT - POLYCARBONATE WINDSHIELD
9SV-HWSAS1	WINDSHIELD HINGE KIT - GLASS WINDSHIELD
9SV-OHRL	OUTSIDE HANDLE ROTARY LATCH KIT (SET OF 2)
9SV-WL2	WINDSHIELD LATCH KIT, SET OF 2
9SW-LATCH	SLIDING WINDOW REPLACEMENT LATCH
9SV-DP10	DOMES PLUG 3/8" (BAG OF 10)
9SV-DP11	DOMES PLUG 1/2" (BAG OF 10)

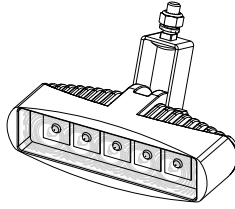
TRIM LOK, STD, 1/16" - 1/8" GRIP	5/8" STD BULB, 1/16" GRIP	5/8" STD BULB, 1/4" GRIP	3/4" SIDE BULB, 1/4" GRIP	1" SIDE BULB 1/16" GRIP	3/4" SIDE BULB, 1/16" GRIP	1" ROUND BULB, 1/16" GRIP
						
9SV-PRO1-20	9SV-PRO2-15	9SV-PRO7-5	9SV-PRO9-10	9SV-PR16-10	9SV-PR17-20	9SV-PR19-10
1/2" WEATHERSEAL	5/8" SIDE BULB 1/16" GRIP	7/16" SIDE BULB 1/4" GRIP	WINDOW RUBBER	3/4" SIDE BULB, 1/4" GRIP	EXPANDING FOAM 2-3/8" X 3/4"	FOAM TAPE 1/2" X 1/16"
						
9SV-PR20-10	9SV-PR27-5	9SV-PR29-15	9SV-PR31-10	9SV-PR38-15	9SV-PR40-5	9SV-DT-15

OPTIONAL ACCESSORIES

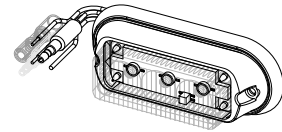
FRONT LED WORK LIGHTS
(P/N: 1KAPFXFWL)



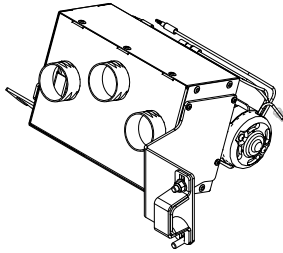
REAR LED WORK LIGHTS
(P/N: 1KAPFXRWL)



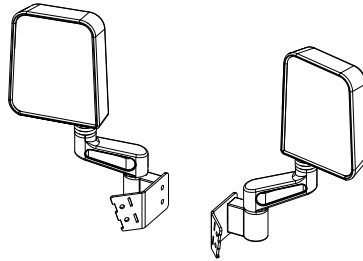
LED CORNER FLASHER LIGHTS
(P/N: 1KAPFXCFL)



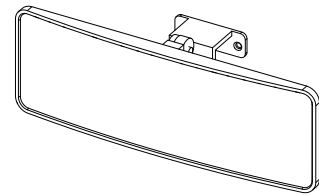
HEATER (P/N: 9PH20S61)



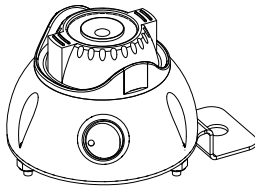
SIDE VIEW MIRRORS (P/N: 9PM5)



REAR VIEW MIRROR (P/N: 9PM3)



DOME LIGHT (P/N: 9LEDD14)



FRONT WIPER KIT, 172 DEGREE SWEEP, 12V W/ 16" FLEX BLADE (P/N: 1KAPFXWK)

