

KUBOTA B 2320/2620/2920
cab kit p/n 1KB2320
Installation Instructions

The contents of this envelope are the property of the owner.
Be sure to leave with the owner when installation is complete.

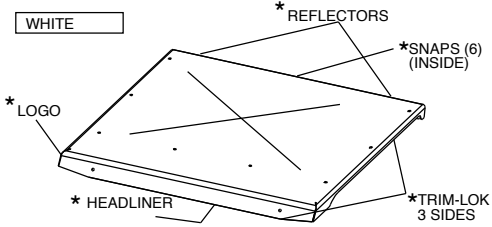
APPROXIMATE INSTALLATION TIME: 2 to 3 HOURS
(excluding accessories)



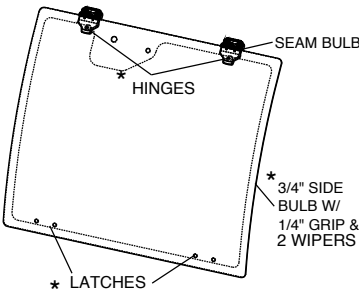
Shown with optional work lights, and optional strobe light.
Additional options available are: heater, hard rear panel, and rear window wiper.
Note: a front windshield wiper comes standard with this cab kit.

KUBOTA B 2320/2620/2920 SOFT SIDED CAB PARTS LIST

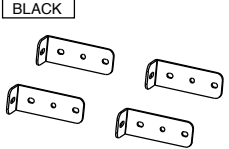
ROOF QTY. P/N
1 KB23-01



WINDSHIELD QTY. P/N
1 1KU3-02



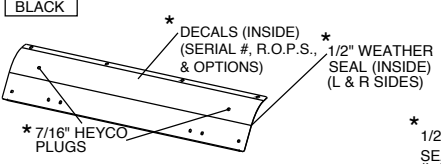
ROLL BAR BRACKET MNT QTY. P/N
4 KB23-05



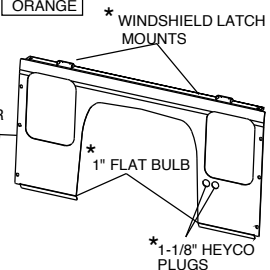
RUBBER TYPES:

5/8" SIDE BULB W/ 1/4" GRIP	9PR23
1" SIDE BULB (ROUND)	9PR16
1/2" WEATHER SEAL	9PR20
TRIM LOK	9PR01
3/4" SIDE BULB W/ 1/4" GRIP & 2 WIPERS	9PR38
1" FLAT BULB	9PR05
7/16" SIDE BULB W/ 1/4" GRIP & 2 WIPERS	9PR29
ARCH PSA	9PR09

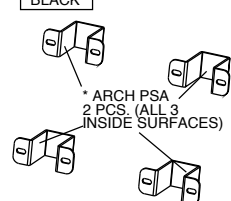
WINDSHIELD SUPPORT QTY. P/N
1 KB20-03



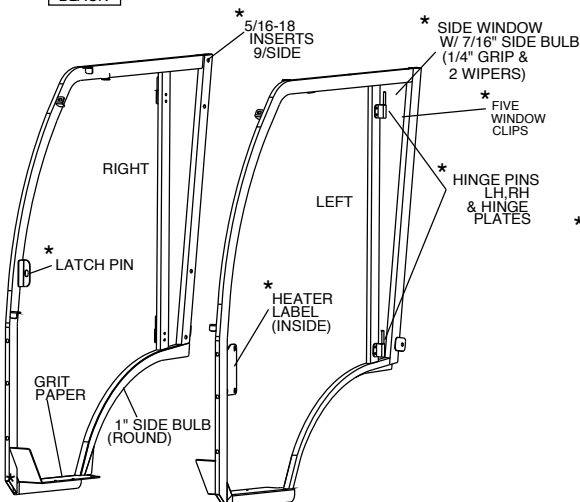
COWL QTY. P/N
1 KB23-04



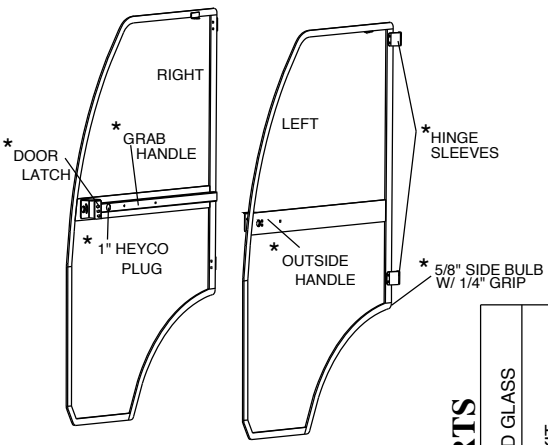
ROLL BAR BRACKET QTY. P/N
4 KB23-12



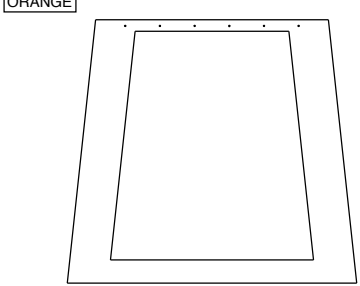
SIDE FRAMES QTY. P/N
LEFT 1 KB23-09L
RIGHT 1 KB23-09R



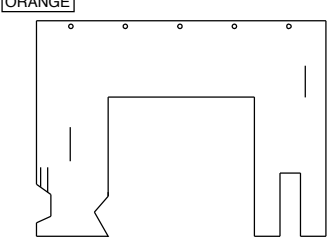
SOFT DOORS QTY. P/N
BLACK (WITH ORANGE VINYL)
LEFT 1 KB23-07L
RIGHT 1 KB23-07R



REAR CURTAIN QTY. P/N
1 KB23-08



UNDER SEAT FILLER QTY. P/N
1 KB23-10



ADDITIONAL SERVICE PARTS

QTY./UNIT	P/N	DESCRIPTION
1	9GL-33X39	MOLDED WINDSHIELD GLASS
1	KB23-HWK	HARDWARE KIT
1	9DS02	CABLE DOOR STOP KIT
1	9PH008	UNITIZED FRAME HINGE KIT
1	KB23-011L	LEFT DOOR SKIN
1	KB23-011R	RIGHT DOOR SKIN
1	9DL01A	ROTARY DOOR LATCH - LH
1	9DL01B	ROTARY DOOR LATCH - RH
1	9DL01C	OUTSIDE R-LATCH HANDLE W/ KEY
1	9WL01	WINDSHIELD LATCH KIT
1	9PH007 & 9BLK01	WINDSHIELD HINGE KIT

*IN HOUSE APPLICATIONS

CABS/BLADES/SPREADERS/ACCESSORIES