



**INSTALLATION MANUAL
REAR PANEL
(77700-VC5040, VC5040) (color: black)
KUBOTA RTV-X900, RTV-X1120D, RTV-XG850**

CALIFORNIA PROPOSITION 65



WARNING:
Cancer and reproductive harm - www.P65Warnings.ca.gov

IMPORTANT!

CAB COMPONENT ORDER OF INSTALLATION:

1. Canopy Mounts (Canopy Kit)
2. Windshield Assembly
3. Door Strikers & Hinge Mounts (Door Kit)
4. Rear Panel Assembly
5. Canopy Assembly
6. Door Assemblies

NOTE: Front Heavy Duty Springs (V5218) or Heavy Duty Spring Damper Assembly (V5219) is required if complete cab is installed (RTV-X900, RTV-X1120D, and RTV-XG850).

BEFORE INSTALLING REAR PANEL

- Read all instructions and safety instructions in this manual.
- Refer to your machine's operator's manual and safety instructions on your machine's safety decals.
- Wear appropriate personal protective equipment (PPE) when performing work.
- Hang a "**DO NOT OPERATE**" tag in operator station.
- If installing a door kit, install the door strikers before installing the rear panel.
- If installing 4-way flashers and/or rear work lights, it will ease assembly if they are installed prior to installing rear panel on vehicle.



WARNING

To avoid personal injury or death:

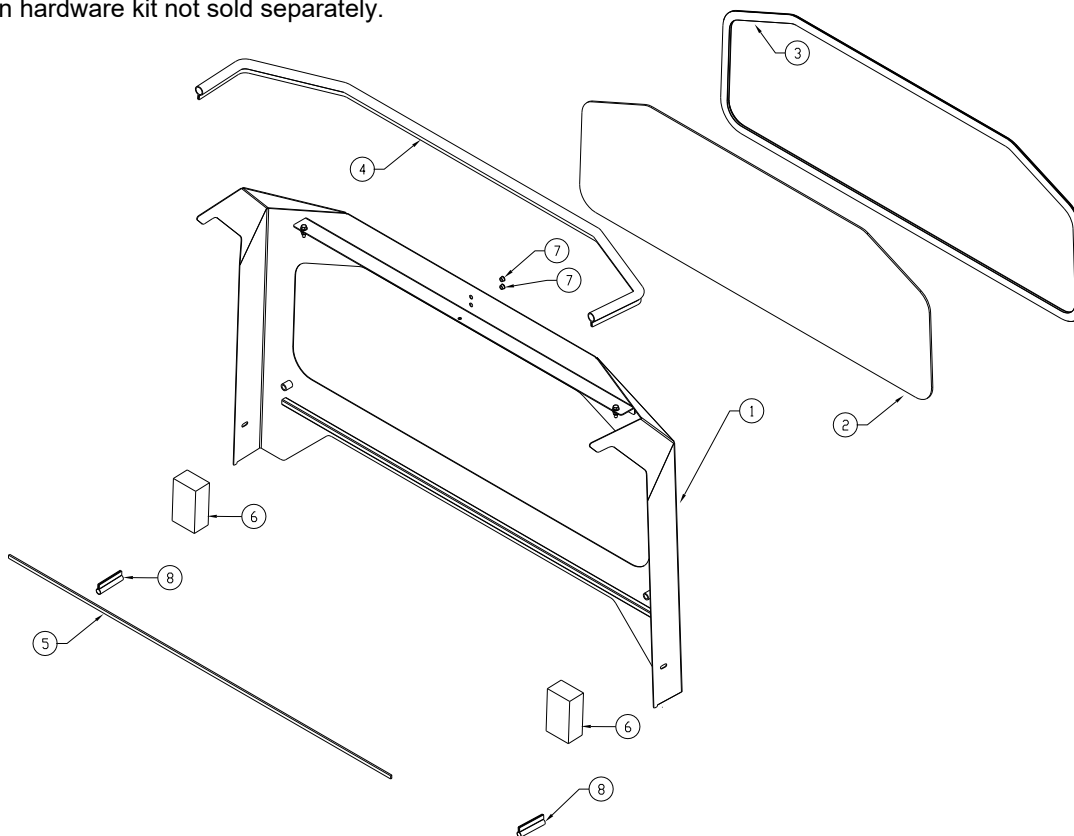
- Cabs, blades, and general accessories add additional weight to the base vehicle. Deduct the accessory's total weight from the vehicle's rated capacity including passenger and driver. Never operate the vehicle outside of its rated weight capacity.
- Exposure to carbon Monoxide can cause illness, serious injury, or death. Never operate vehicle if suspicious of Carbon Monoxide. Inspect exhaust system for leaks monthly. Leaks can result from loose connections, corrosion, cracks, or other damage to the exhaust manifold. If leaks are found, repair or replace exhaust system. Do not use vehicle until repair or replacement is complete.
- This rear panel does not provide protection from: a rollover (or other accidents), from flying objects (including golf balls), or from lightning. When lightning threatens, take cover and do not operate vehicle.





Estimated assembly time: 30 minutes

■ AVAILABLE REPLACEMENT PARTS

Ref. No.	Part No.	Part Name	QTY	REMARKS
1	77700-05141	Rear Panel (steel only)	1	Code No.: WA-KX9RP (contains one rear panel)
2	77700-05142	Rear Window Glass	1	Code No.: 9GL-50x18 (contains one window)
3	77700-05143	Mounting Rubber (128" long)	1	Code No.: 9PR10 (contains one strip)
4	77700-05144	1" Bulb Rubber (72" long)	1	Code No.: 9PR19 (contains one strip)
5	77700-05145	Polyfoam Weatherseal (55" long)	1	Code No.: 9PR44 (contains one strip)
6	77700-05146	Foam Seal with Adhesive, 12x3.25x2	1	Code No.: 9FR-KX906 (contains one strip)
7	77700-01480	7/16" Dome Plug	1	Code No.: 9DP01 (contains one plug)
8	70000-01374	Rubber, 5/8" Regular Bulb (7" long)	1	Code No.: 9DP02 (contains one strip)
9	77700-05147	Hardware Kit	1	Code No.: KX9HWK-06 (contains all items listed below)

NOTE: Items in hardware kit not sold separately.



HARDWARE KIT	
	2X — SCREW, HEX FLANGE, 5/16-18 X 2" LG
	2X — STEEL FENDER WASHER, 5/16" ID X 1.25" OD
	2X — RUBBER FENDER WASHER, 5/16" ID X 1.25" OD
	4X — NUT, HEX FLANGE, NYLOC, 5/16-18