



## INSTALLATION MANUAL STEEL DOORS

(black p/n's: 77700-VC5090A, VC5090) (orange p/n's: 77700-VC5091A, VC5091)  
KUBOTA RTV-X900, RTV-X1120D, RTV-XG850

### CALIFORNIA PROPOSITION 65



Cancer and reproductive harm - [www.P65Warnings.ca.gov](http://www.P65Warnings.ca.gov)

### IMPORTANT!

#### CAB COMPONENT ORDER OF INSTALLATION:

1. Canopy Mounts (Canopy Kit)
2. Windshield Assembly
3. Door Strikers & Hinge Mounts (Door Kit)
4. Rear Panel Assembly
5. Canopy Assembly
6. Door Assemblies

NOTE: Front Heavy Duty Springs (V5218) or Heavy Duty Spring Damper Assembly (V5219) is required if complete cab is installed (RTV-X900, RTV-X1120D, and RTV-XG850).

Compatible with: VC5000, VC5001, and VC5011 Canopies.

Requires: VC5020, VC5023, or VC5025 Windshield and VC5040 Rear Panel.

Not compatible with: V5221 Canopy.

Not compatible with: V5027, V5258, or V5259 Windshields.

#### NOTE:

Windshield assemblies VC5025, VC5023, and VC5020 must be installed prior to installation of doors.

### BEFORE INSTALLING STEEL DOORS

- Read all instructions and safety instructions in this manual.
- Refer to your machine's operator's manual and safety instructions on your machine's safety decals.
- Wear appropriate personal protective equipment (PPE) when performing work.
- Hang a "**DO NOT OPERATE**" tag in operator station.
- If the vehicle currently has half-doors installed, please remove them and any accompanying hardware at this time. Those components are not compatible with the cab doors. See illustration on page 4.



## WARNING

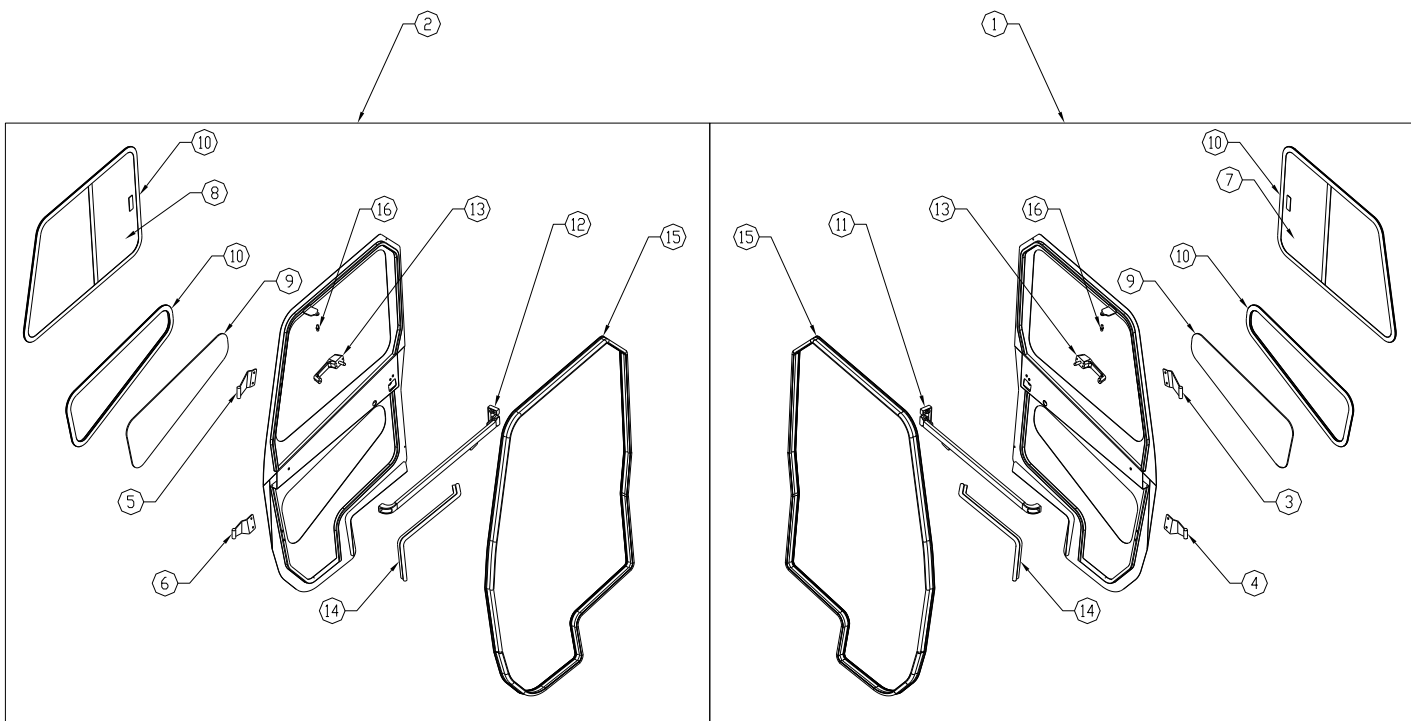
### To avoid personal injury or death:

- Cabs, blades, and general accessories add additional weight to the base vehicle. Deduct the accessory's total weight from the vehicle's rated capacity including passenger and driver. Never operate the vehicle outside of its rated weight capacity.
- Exposure to carbon Monoxide can cause illness, serious injury, or death. Never operate vehicle if suspicious of Carbon Monoxide. Inspect exhaust system for leaks monthly. Leaks can result from loose connections, corrosion, cracks, or other damage to the exhaust manifold. If leaks are found, repair or replace exhaust system. Do not use vehicle until repair or replacement is complete.
- These doors do not provide protection from: a rollover (or other accidents), from flying objects (including golf balls), or from lightning. When lightning threatens, take cover and do not operate vehicle.

**Estimated assembly time: 1 hour**

■ AVAILABLE REPLACEMENT PARTS (continued on next page)

Ref. No.	Part No.	Part Name	QTY	REMARKS
1	77700-05230	Black Hard Sided Door, left	1	Code No.: KX9AS-07LB (contains one left black door)
1	77700-05231	Orange Hard Sided Door, left	1	Code No.: KX9AS-07LO (contains one left orange door)
2	77700-05232	Black Hard Sided Door, right	1	Code No.: KX9AS-07RB (contains one right black door)
2	77700-05233	Orange Hard Sided Door, right	1	Code No.: KX9AS-07RO (contains one right orange door)
3	77700-05234	Door Hinge, top left	1	Code No.: KX9DHT-L (contains one hinge)
4	77700-05235	Door Hinge, bottom left	1	Code No.: KX9DHB-L (contains one hinge)
5	77700-05236	Door Hinge, top right	1	Code No.: KX9DHT-R (contains one hinge)
6	77700-05237	Door Hinge, bottom right	1	Code No.: KX9DHB-R (contains one hinge)
7	77700-05238	Slider, 3/16" tempered (AS2) glass, no tint, left	1	Code No.: 9SW-KX9L (contains one slider)
8	77700-05239	Slider, 3/16" tempered (AS2) glass, no tint, right	1	Code No.: 9SW-KX9R (contains one slider)
9	77700-05240	Lower Door Window	1	Code No.: PG-KX9LD (contains one window)
10	77700-00279	Window Rubber (110" long)	1	Code No.: 9PR10 (contains one strip)
11	70000-01020	Door Latch, Bar, long, right (on rear hinged doors)	1	Code No.: 9DL02B (contains one door latch)
12	70000-01019	Door Latch, Bar, long, left (on rear hinged doors)	1	Code No.: 9DL02A (contains one door latch)
13	70000-01018	Door Handle	1	Code No.: 9DL01C (contains one handle)
14	77700-05144	1" Round Bulb (72" long)	1	Code No.: 9PR19 (contains one strip)
15	77700-05241	1-1/2" Double-Sided Bulb (189" long)		Code No.: 9PR41 (contains one strip)
16	70000-01024	Ball Stud	1	Code No.: 9GS02A (contains one ball stud)
NS	70000-01216	Keys for outside handles	1	Code No.: 9DL01H (contains 2 keys)



■ AVAILABLE REPLACEMENT PARTS (also on previous page)

Ref. No.	Part No.	Part Name	QTY	REMARKS
17	77700-05242	Gas Shock Mount Assy, upper, left	1	Code No.: KX9-16L (contains one mount assy)
18	77700-05243	Gas Shock Mount Assy, upper, right	1	Code No.: KX9-16R (contains one mount assy)
19	77700-05244	Screw, SH, SS, 5/16-18 x 1" long	1	Code No.: 70-58-0119 (contains one screw)
20	77700-05154	1/8" x 1" Foam Tape (7" long)	1	Code No.: 9PR39 (contains one strip)
21	77700-05245	Striker Mount Base, left	1	Code No.: KX9-12L (contains one mount base)
22	77700-05246	Striker Mount Base, right	1	Code No.: KX9-12R (contains one mount base)
23	77700-05247	1/2" w x 9/16" Rubber Foam Weatherseal (32" long)	1	Code No.: 9PR43 (contains one strip)
24	77700-05248	Striker Mount Assy, left	1	Code No.: KX9-13L (contains one mount assy)
25	77700-05249	Striker Mount Assy, right	1	Code No.: KX9-13R (contains one mount assy)
26	77700-05250	Hardened Striker Pin Assy	1	Code No.: 9SV-DSTRH (contains one pin assy)
27	77700-05251	Lower Hinge Mount, left	1	Code No.: KX9-14L (contains one mount)
28	77700-05252	Lower Hinge Mount, right	1	Code No.: KX9-14R (contains one mount)
29	77700-05253	Weld-On Hinge Washer	1	Code No.: 9PHW010-W (contains one washer)
30	77700-05202	Gas Spring, 10 lb. with Quick Release Ends	1	Code No.: 9GS10Q (contains one gas spring)
31	77700-05203	Hardware Kit (all inclusive)	1	Code No.: KX9HWK-07 (contains all items listed below)

