



POLARIS®

INSTALLATION INSTRUCTIONS POLARIS MODULAR WINDSHIELD KIT (p/n 2874886)

IMPORTANT: THIS ACCESSORY WEIGHS 70 POUNDS. PLEASE ADJUST THE VEHICLE PAYLOAD ACCORDINGLY.

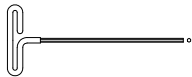
The contents of this envelope are the property of the owner. Be sure to leave with the owner when installation is complete.

NOTE: This windshield was designed to fit the Series 11 Polaris vehicle only.

WARNING Exposure to Carbon Monoxide can cause illness, serious injury or death. Never operate vehicle if suspicious of Carbon Monoxide. Inspect exhaust system for leaks monthly. Leaks can result from loose connections, corrosion, cracks or other damage to the exhaust manifold. If leaks are found, repair or replace exhaust system. Do not use vehicle until repair or replacement is complete.

ADDED WEIGHT NOTICE
Curtis Cabs, blades and general accessories add additional weight to the base vehicle. All Curtis accessory weights are listed in product brochures. Deduct the accessories total weight from the vehicles rated capacity and never exceed the vehicles rated capacity including driver and passenger.

TOOLS REQUIRED:



3/16" ALLEN WRENCH



PHILIPS HEAD SCREWDRIVER



3/8" RATCHET

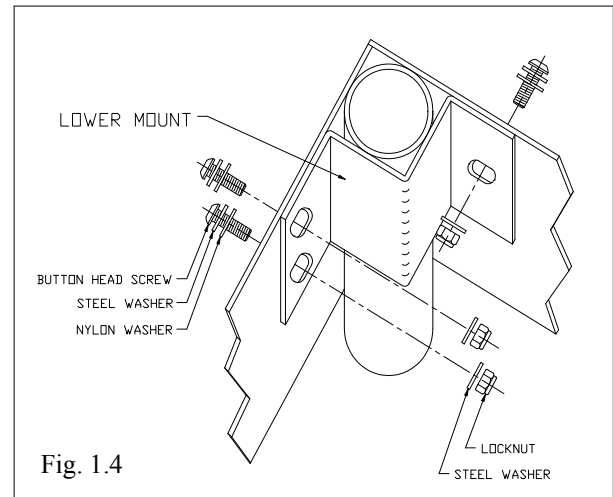
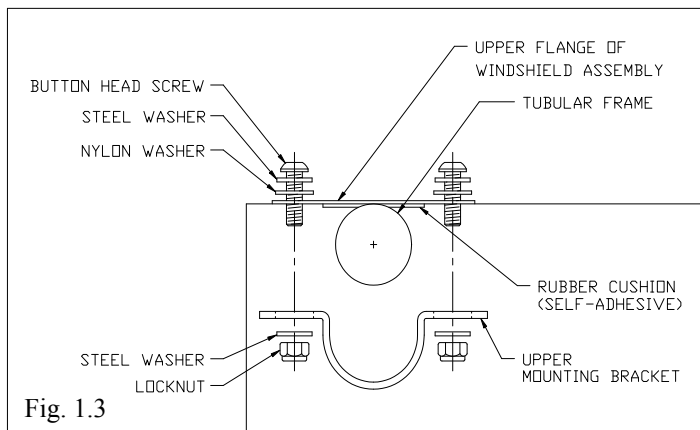


1/2" SOCKET W/ 3/8" DRIVE

1. INSTALL WINDSHIELD ASSEMBLY

CAUTION: use care to avoid potential pinch points during installation!

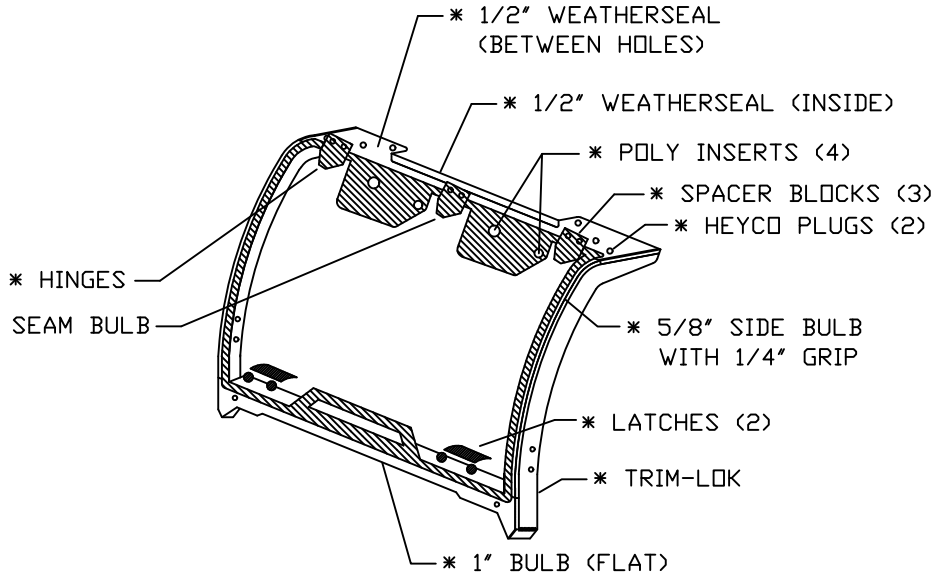
- 1.1 Be sure factory installed rubber weatherseal is securely adhered onto the bottom and sides of the metal cowl.
- 1.2 With assistance, install the windshield assembly by hooking the top bent flange of the windshield assembly over the front cross tube with the front side legs of the windshield assembly on the outside of the tubular frame. Swing the bottom in against the front down tubes.
- 1.3 Use the two (2) "U" shaped mounting brackets to attach the upper front corners of the windshield assembly to the tubular frame. (NOTE: these brackets take two bolts each.) Per fig. 1.3, use 5/16" x 1-1/4" long button head screws, steel washers, nylon washers, and locknuts. (NOTE: locknuts to be on the inside of the windshield assembly.)
- 1.4 Use the two (2) "W" shaped mounting brackets to attach the lower front to the tubular frame. (NOTE: these brackets take three bolts each). Per fig. 1.4, use 5/16" x 1" long button head screws, steel washers, nylon washers, and locknuts (NOTE: locknuts to be on the inside of the windshield assembly).



POLARIS MODULAR CAB PARTS LIST
WINDSHIELD KIT

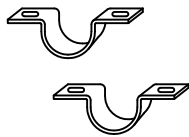
WINDSHIELD ASSEMBLY

QTY.	P/N
1	2874886



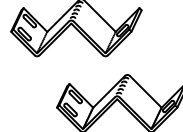
UPPER MOUNTS

QTY.	P/N
2	2874888-2



LOWER MOUNTS

QTY.	P/N
2	2874888-3



RUBBER TYPES:

1" BULB (FLAT) 9PR05	TRIM LOCK 9PR01	5/8" SIDE BULB W/ 1/4" GRIP 9PR23	1/2" WEATHER SEAL 9PR20
-----------------------------	------------------------	--	--------------------------------

POLARIS MODULAR CAB PARTS LIST

WINDSHIELD KIT

ADDITIONAL SERVICE PARTS

QTY.	P/N	DESCRIPTION
1	9GL-32x55	GLASS
3	9PH007	WINDSHIELD HINGE
3	9BLK01	WINDSHIELD SPACER BLOCKS
1	9WL01	WINDSHIELD LATCH
2	9PI01	POLY INSERTS (FOR .66" DIA. HOLE)
2	9PI02	POLY INSERTS (FOR .88" DIA. HOLE)
2	9DP01	HEYCO PLUGS (FOR .44" DIA. HOLE)
2	2874888-2	UPPER MOUNTS
2	2874888-3	LOWER MOUNTS
1	287488-HWK	HARDWARE BAG

HARDWARE BAG CONTAINS:

- (06) 5/16-18 x 1" LONG BUTTON HEAD SCREWS
- (08) 5/16-18 x 1 1/4" LONG BUTTON HEAD SCREWS
- (10) 3/8" NYLON WASHERS
- (20) 5/16" FLAT STEEL WASHERS
- (10) 5/16-18 LOCKNUTS
- (10) 5/16" PLASTIC NUT COVERS