



**Polaris RZR 1000 Rear Panel Kit**  
**Kit p/n:1POLRZR1000RP**  
**Fits UTV Models:**  
**POLARIS RZR 1000, 2014+**  
**POLARIS RZR 900, 2014+**

Available Options:  
 Roof Kit (P/N: 1POLRZR1000RF)  
 Windshield Kit (P/N: 1POLRZR1000WS)  
 Side View Mirrors (P/N: 9PM5)

Approximate Installation Time
Do-It-Yourself – 10-15 minutes

Approximate Product Specifications
Weight: 12.75 lbs.

**TOOLS REQUIRED:**

- Ratchet
- 3/8" Socket or Wrench
- 7/16" Socket or Wrench

**STEP 1: (KIT INSTALLATION)**

If installing multiple Curtis Polaris RZR 1000 kits, install in the following order:

1. Windshield
2. Rear Panel
3. Roof

1.1 Per figure 1.1, position the (7) supplied rubber coated P-clamps around the rear portion of the ROPS.

1.2 With assistance, position the rear panel assembly to the front side of the rear portion of the ROPS.

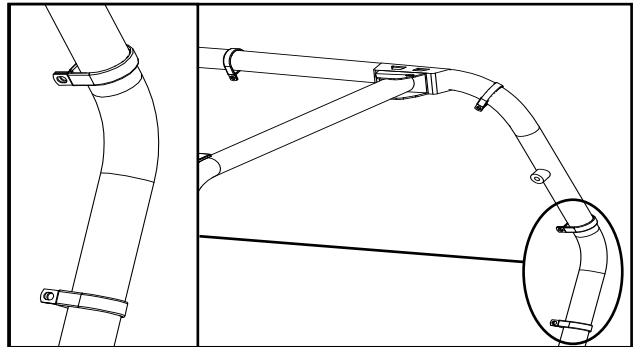



Fig. 1.1 (P-Clamp Orientation)

**Register** your new product quickly online at [Curtiscab.com/product-registration/](http://Curtiscab.com/product-registration/)



Curtis encourages all customers to register their Curtis products. However, failure to do so will not diminish right to warranty. Curtis Industries does not sell or share your information with anyone else.

**Download** a digital copy of your installation instructions online at [Curtiscab.com/literature/](http://Curtiscab.com/literature/)



Curtis strives to continuously improve our products, technical documentation, etc. Therefore, the installation manual for this product may have been updated after your product was packaged. The latest revision of the installation manual can always be found at the website above.

The contents of this envelope are the property of the owner. Leave with the owner when installation is complete.

# KIT INSTALLATION

## STEP 1: (KIT INSTALLATION)

- 1.3 Secure the rear panel assembly to the P-clamps installed during step 1.1. See figure 1.3 for hardware orientation. Do not overtighten fastener or damage to the window may occur. Stop tightening when grommet just starts to bulge.

### Hardware Used

	<u>Qty</u>
1/4-20 X 1" Flange Hex Head Screw	7
1/4" Fender Washer	14
1/4-20 Hex Flange Lock Nut	7

### Tools required

3/8" socket or wrench  
7/16" socket or wrench

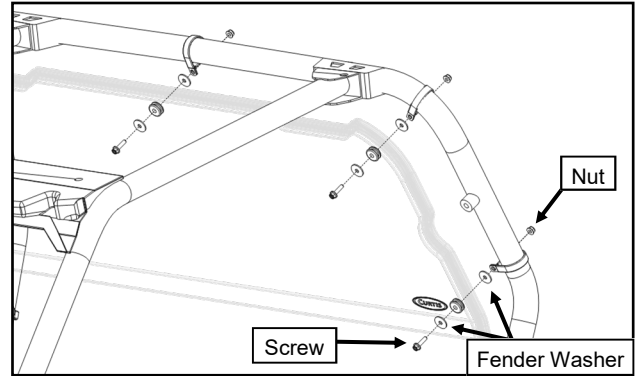


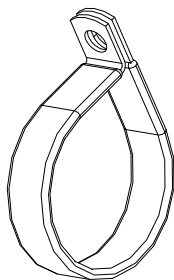
Fig. 1.3 (Rear Panel Hardware)

## CARE AND MAINTENANCE

- Check and tighten hardware after 40 hours of operation. Periodically inspect and tighten hardware for the remainder of the unit's life.
- **DO NOT** clean polycarbonate windows with harsh chemicals. It will damage the plastic. Mild soap and water should be used on the rear panel.

## AVAILABLE SERVICE PARTS

P-CLAMP 1.75" DIA (7 CLAMPS)  
P/N: 9SV-9HR0060-P1-3/4



3/4" SIDE BULB WITH 1/4" GRIP  
P/N: 9SV-PR38-15

