



**Polaris Ranger 500-800 and 800 Crew
PathPro SS Cab Venting W/S Upgrade
(fits 2010 - current)
(p/n: POL800V-02A)**

The contents of this envelope are the property of the owner.
Be sure to leave with the owner when installation is complete.

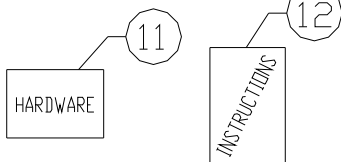
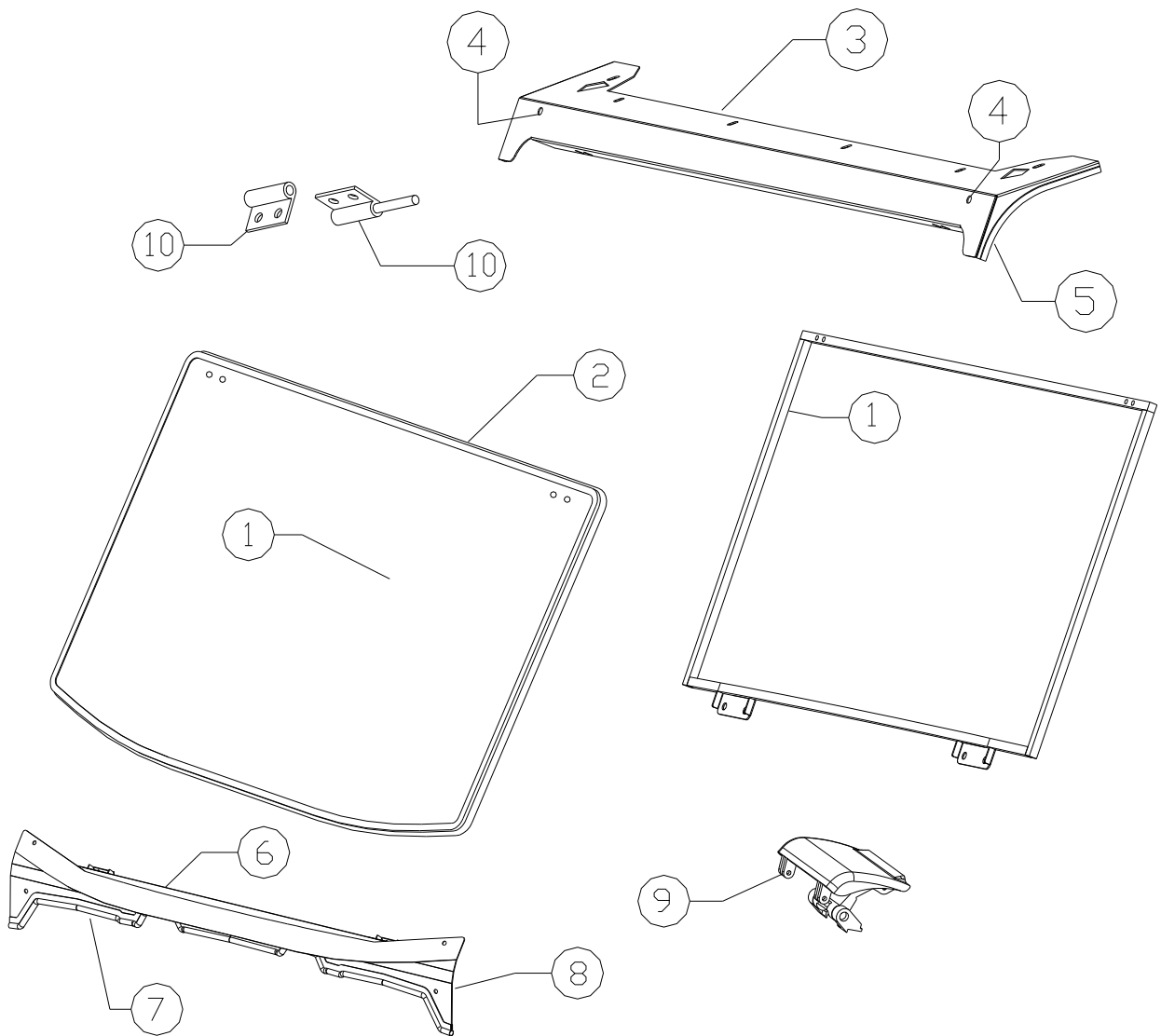
APPROXIMATE INSTALLATION TIME: 1.5 hrs.
(excluding accessories)



Shown with optional Windshield Wiper (p/n: 1POLRLCWPR)

Venting Windshield Upgrade Parts List

| REF. NO. | CODE NO. | QTY. | DESCRIPTION |
|----------|---------------|------|---|
| 1 | 8SV-RLCV02 | 1 | WINDSHIELD AND STIFFENER ASSEMBLY |
| 2 | 9SV-PR38-15 | 1 | 3/4" SIDEBULB W/ 1/4" GRIP |
| 3 | 8SV-RLCV03-B4 | 1 | WINDSHIELD SUPPORT |
| 4 | 9SV-DP01 | 2 | 7/16" HEYCO PLUG |
| 5 | 9SV-PR01-20 | 1 | TRIM-LOK (1/8" GRIP) |
| 6 | 8SV-RLCV08-B4 | 1 | WINDSHIELD COWL |
| 7 | 9SV-PR02-15 | 1 | 5/8" BULB RUBBER |
| 8 | 9SV-PR20-10 | 1 | WEATHERSEAL (ON UNDERSIDE, NOT SHOWN ON COWL) |
| 9 | 9SV-WL1 | 2 | POP-OUT LATCH KIT |
| 10 | 9SV-HDR2 | 1 | HINGE SET |
| 11 | RLCV-HWK | 1 | HARDWARE KIT |
| 12 | -- | 1 | INSTRUCTIONS |



RUBBER TYPES:

| | | | |
|---------------------------|-------------------|--------------------------------|----------------|
| 1/16" x 1/2" FOAM TAPE | 1/2" WEATHER SEAL | 3/4" SIDE BULB W/ 1/4" GRIP | 5/8" REG. BULB |
| | | | |
| 9YR-DT | 9PR20 | 9PR38 | 9PR02 |