



**Polaris Ranger 500-800 PathPro SS Cab
(fits 2010 - current)
(p/n: 1POLRFS1)**

The contents of this envelope are the property of the owner.
Be sure to leave with the owner when installation is complete.

APPROXIMATE INSTALLATION TIME: 3 HOURS
(excluding accessories)



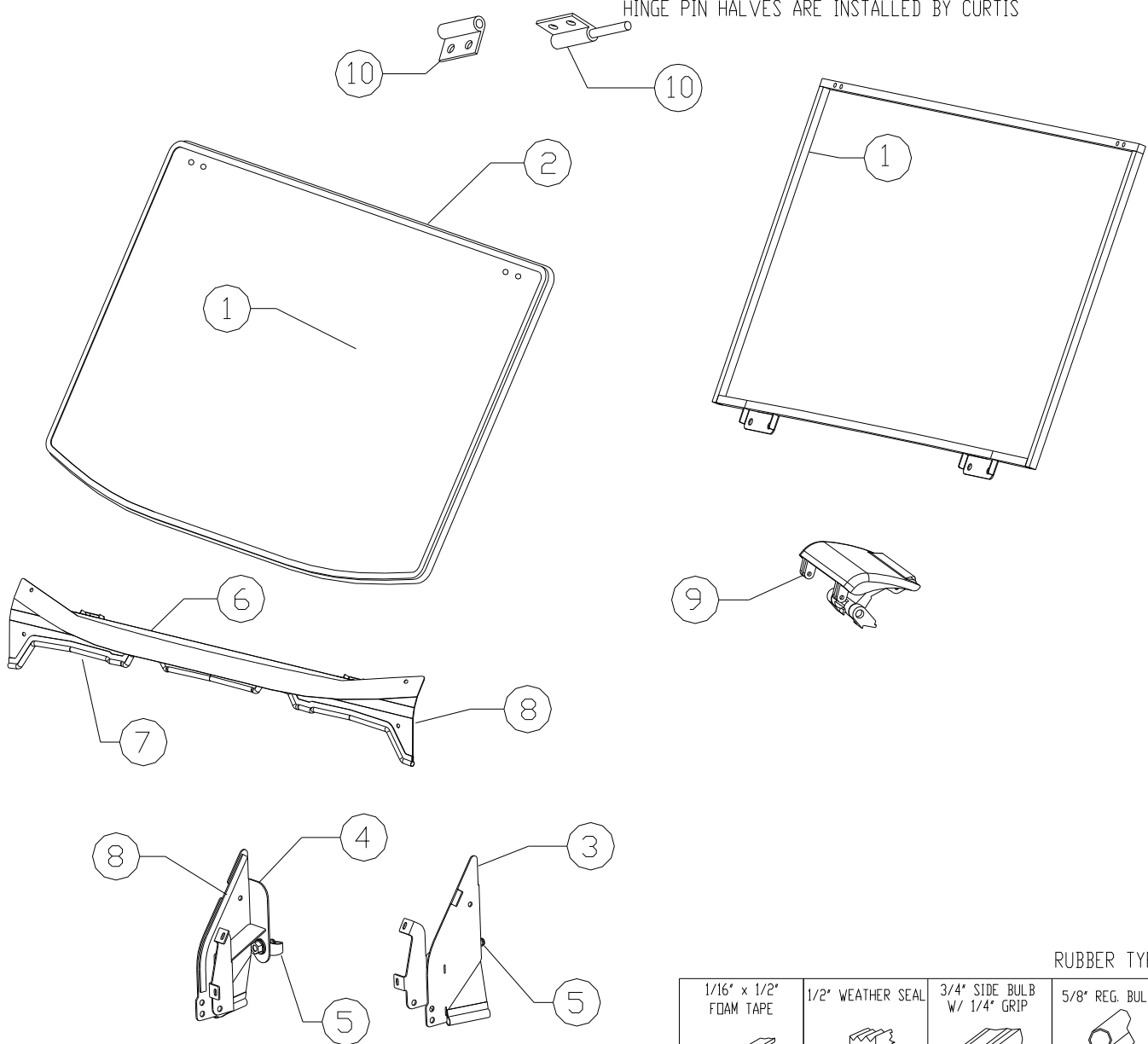
Shown with optional Windshield Wiper (p/n: 1POLRLCWPR)
Strobe Light (p/n: 9LS1)

Additional options available (not shown):
Interior Rear View Mirror (p/n: 9PM3)
Tapered Poly Snow Plow (p/n: 1PRGUTP)
Work lights (p/n: 9LW1)
Heater (p/n: 9PH20S39)




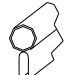
Parts List

REF. NO.	CODE NO.	QTY.	DESCRIPTION
1	8SV-RLCV02	1	WINDSHIELD AND STIFFENER ASSEMBLY
2	9SV-PR38-15	1	3/4" SIDEBULB W/ 1/4" GRIP
3	8SV-RLC04L-B4	1	FRONT MOUNT (DRIVER'S SIDE)
4	8SV-RLC04R-B4	1	FRONT MOUNT (PASSENGER SIDE)
5	9SV-DSTR	1	STRIKER PIN
6	8SV-RLCV08-B4	1	WINDSHIELD COWL
7	9SV-PR02-15	1	5/8" BULB RUBBER
8	9SV-PR20-10	1	WEATHERSEAL (ON UNDERSIDE, NOT SHOWN ON COWL)
9	9SV-WL1	2	POP-OUT LATCH KIT
10	9SV-HDR2	1	HINGE SET

HINGE PIN HALVES ARE INSTALLED BY CURTIS

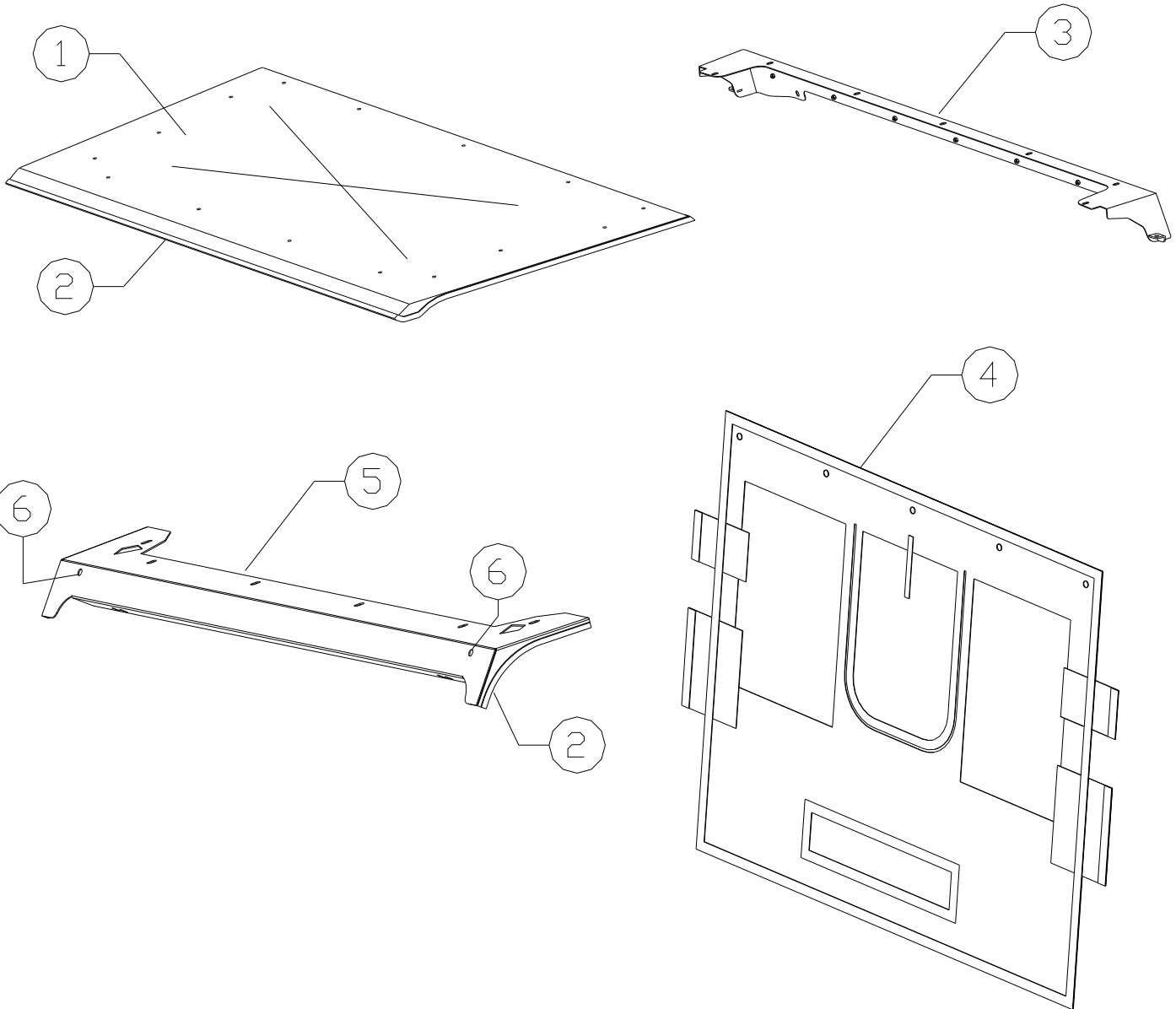


RUBBER TYPES:

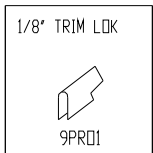
1/16" x 1/2" FOAM TAPE	1/2" WEATHER SEAL	3/4" SIDE BULB W/ 1/4" GRIP	5/8" REG. BULB
			
9YR-DT	9PR20	9PR38	9PR02

Parts List

REF. NO.	CODE NO.	QTY.	DESCRIPTION
1	8SV-RLC01-B4	1	ROOF (FULL ASSEMBLY)
2	9SV-PR01-20	1	TRIM-LOK (1/8" GRIP)
3	8SV-RLC10-B4	1	REAR ROOF SUPPORT
4	8SV-RLC06-VS	1	REAR VINYL CURTAIN
5	8SV-RLCV03-B4	1	WINDSHIELD SUPPORT
6	9SV-DP01	2	7/16" HEYCO PLUG

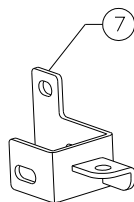
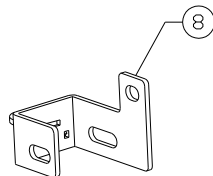
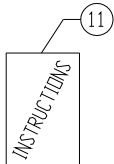
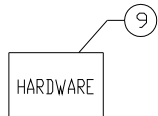
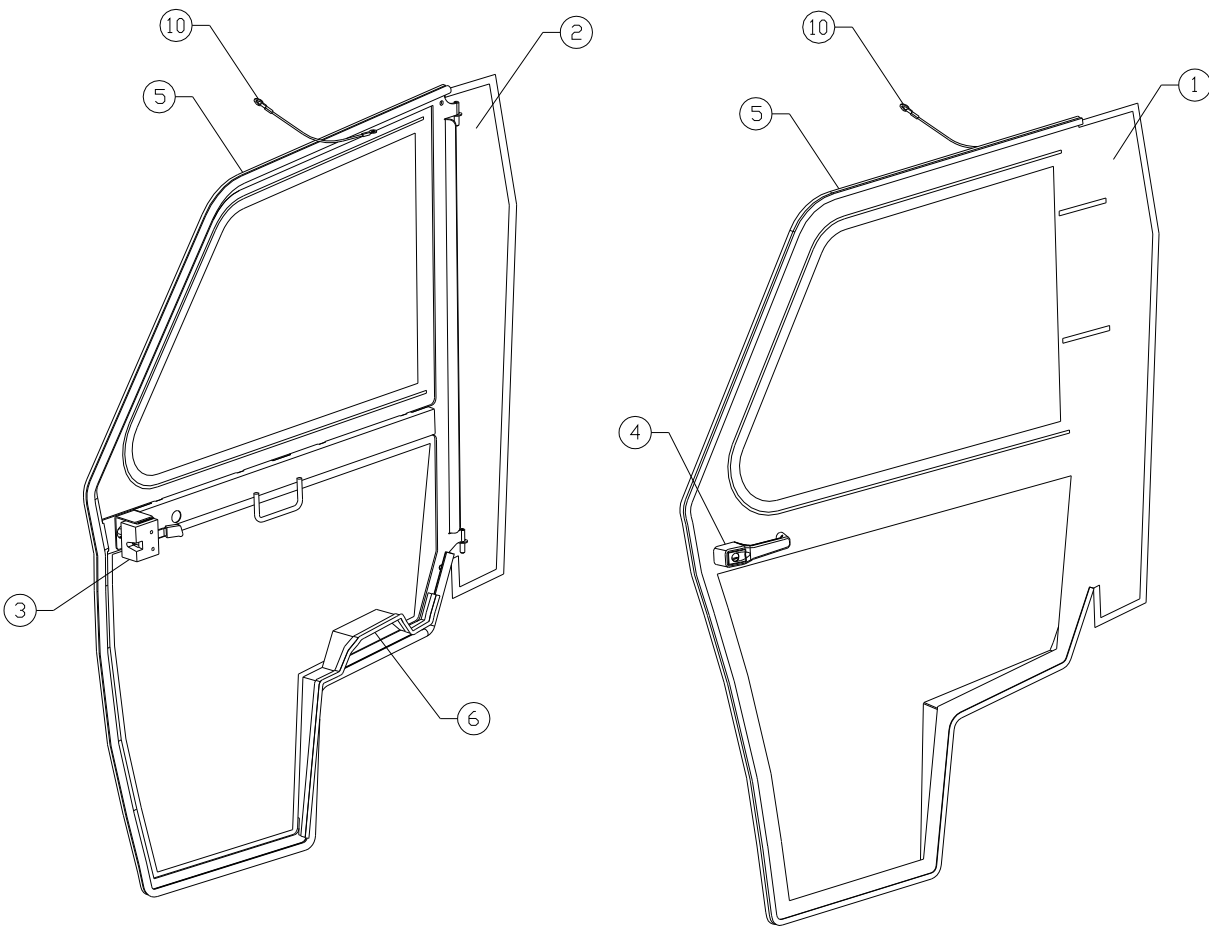


RUBBER TYPES:



Parts List

REF. NO.	CODE NO.	QTY.	DESCRIPTION
1	8SV-RLC7L-VS	1	FULL DOOR ASSEMBLY (DRIVER'S SIDE)
2	8SV-RLC7R-VS	1	FULL DOOR ASSEMBLY (PASSENGER'S SIDE)
3	9SV-IHRL	1	DOOR LATCH (DRIVER AND PASSENGER SIDE)
4	9SV-OHRL	1	OUTSIDE LOCKING DOOR HANDLE (DRIVER AND PASSENGER SIDE)
5	9SV-PR38-15	1	3/4" SIDE BULB W/ 1/4" GRIP
6	9SV-PR02-15	1	5/8" BULB RUBBER (PASSENGER'S SIDE ONLY)
7	8SV-RLC05L-B4	1	LOWER PIVOT MOUNT (DRIVER'S SIDE)
8	8SV-RLC05R-B4	1	LOWER PIVOT MOUNT (PASSENGER'S SIDE)
9	RLC-HWK	1	HARDWARE KIT
10	9SV-DS04	2	DOOR TETHER
11	--	1	INSTALLATION INSTRUCTIONS (AVAILABLE ELECTRONICALLY)



RUBBER TYPES:

ARCH PSA	3/4" SIDE BULB W/ 1/4" GRIP	5/8" REG. BULB
9PR09	9PR38	9PR02