



YAMAHA DRIVE 2 Climate Control Street Pro SE

**Sandstone (p/n: 1GCYD1-A)
Black (p/n: 1GCYD2-A)
White (p/n: 1GCYD3-A)
Black & White Security (p/n: 1GCYD4-A)**

APPROXIMATE INSTALLATION TIME: ONE HOUR



This cab is covered by one or more of the following patents and others pending:
U.S.: 7429072, 7219948, 7281753, D555058, D547697, D542711, D557191.
CAN.: 112130. U.K.: 3022131, 3022412, 3022411, 3022410, 2434126.
Curtis Industries, LLC.

Yamaha Drive

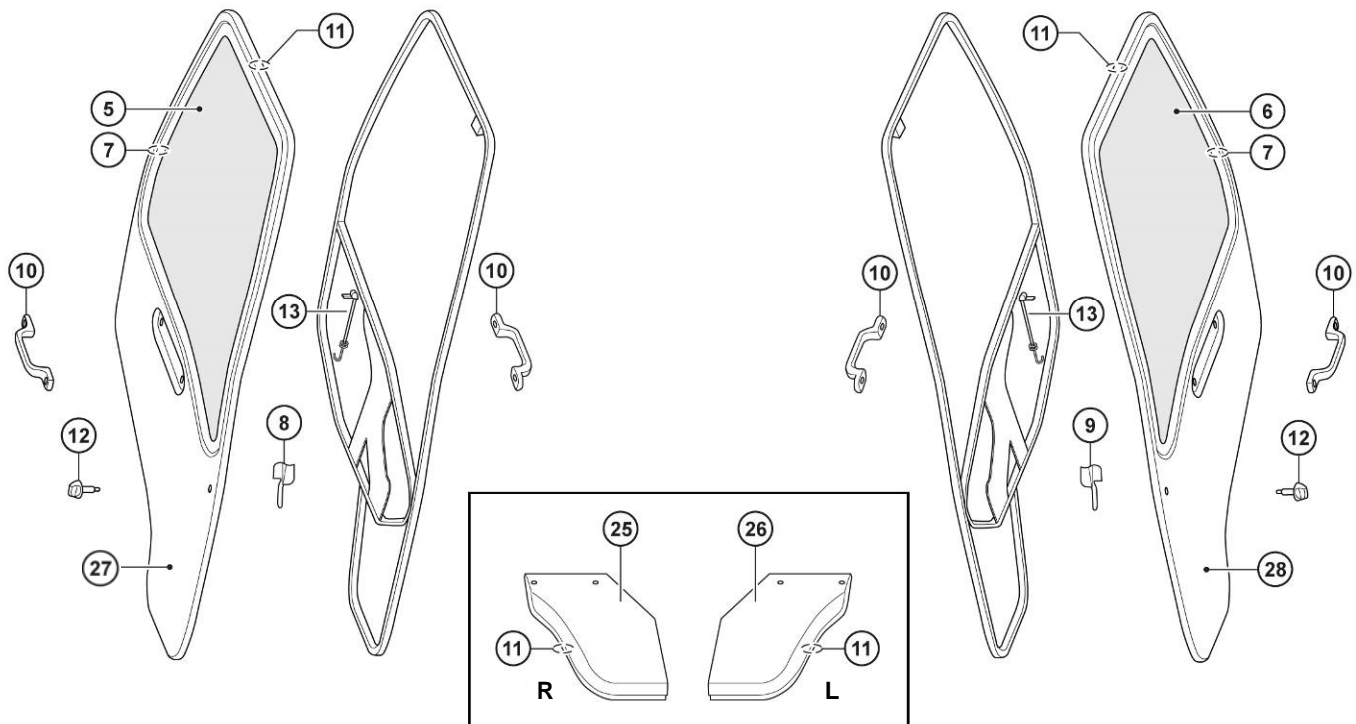
DOOR PARTS

① Right Door with Frame Assembly Complete

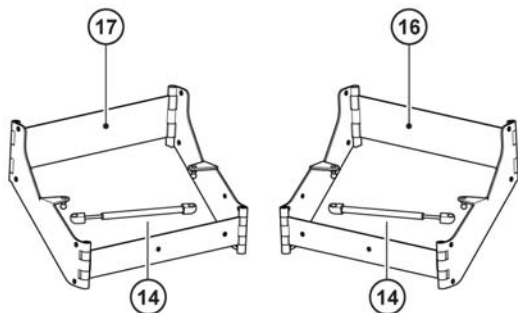
② Left Door with Frame Assembly Complete

③ Right Outer Door Skin with No Frame Complete

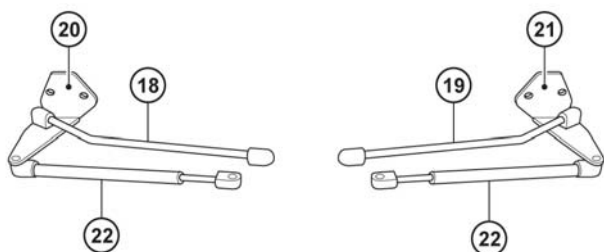
④ Left Outer Door Skin with No Frame Complete



⑮ 4-Leaf Hinge Set Complete



⑲ Top L Hinge Assy Complete ⑳ Top R Hinge Assy Complete



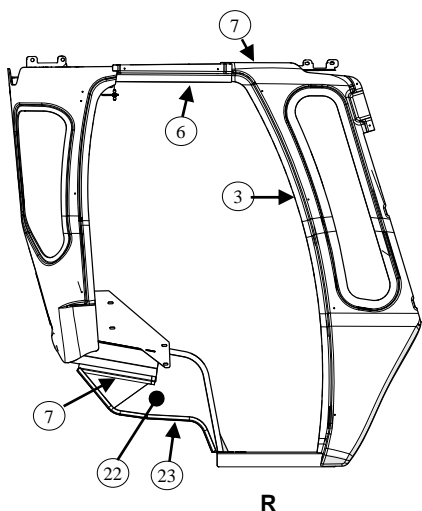
REF #	P/N	DESCRIPTION
1	8SV-YD07R 8SV-YD07RW 8SV-YD07RBK	Right Door Assembly Complete (Sandstone) Right Door Assembly Complete (White) Right Door Assembly Complete (Black)
2	8SV-YD07L 8SV-YD07LW 8SV-YD07LBK	Left Door Assembly Complete (Sandstone) Left Door Assembly Complete (White) Left Door Assembly Complete (Black)
3	8SV-YD07DSR 8SV-YD07DSRW 8SV-YD07DSRBK	Right Door Skin Assembly (Sandstone) Right Door Skin Assembly (White) Right Door Skin Assembly (Black)
4	8SV-YD07DSL 8SV-YD07DSLW 8SV-YD07DSL BK	Left Door Skin Assembly (Sandstone) Left Door Skin Assembly (White) Left Door Skin Assembly (Black)
5	8SV-PGCC2R	Right Door Window w/ Mounting Rubber
6	8SV-PGCC2L	Left Door Window w/ Mounting Rubber
7		Molded Acrylic Mounting Rubber (Sold with Windows #5 & #6)
8 & 9	9SV-DLGC	Interior Latch Kit (Set of 2)
10	9SV-GH	Grab Handle Kit (Set of 2)
11	9SV-PR32-15	Door Edge Rubber (15' Length)
12	9SV-DLSGC	Door Knob (Set of 2)
13	9SV-GCYDBC	Bungee Cord Assembly Kit (Set of 2)
14	9SV-GS05	100N Gas Spring Kit (Set of 2)
15	9SV-HDR4L	Hinge Kit (1 Left, 1 Right)
16		Right Hinge Assembly (Sold in Hinge Kit #15)
17		Left Hinge Assembly (Sold in Hinge Kit #15)
18 & 19	9SV-HRGC	Hinge Rod Kit (1 Left, 1 Right)
20 & 21	8SV-GCHPLR-B5	Top Hinge Pivot Kit (1 Left, 1 Right)
22	9SV-GS04	75N Gas Spring Kit (Set of 2)
23	8SV-CC1L	Left Top Hinge Assembly Complete
24	8SV-CC1R	Right Top Hinge Assembly Complete
25		Right Plastic Door Flap (Sold in Right Door Assembly #1)
26		Left Plastic Door Flap (Sold in Left Door Assembly #2)
27		Right Door Skin (Sold in Right Door Skin Assembly #3)
28		Left Door Skin (Sold in Left Door Skin Assembly #4)

This list is to be used for ordering service parts. DO NOT DISCARD.

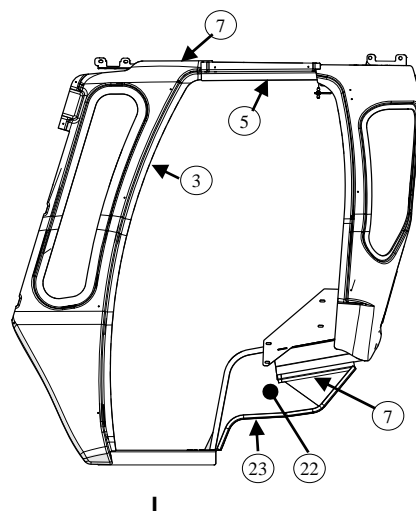
Yamaha Drive

SIDE FRAME PARTS

① Right Side Frame Including F & R Panel, Header, Rubber, and Side Filler Assembly, No Door

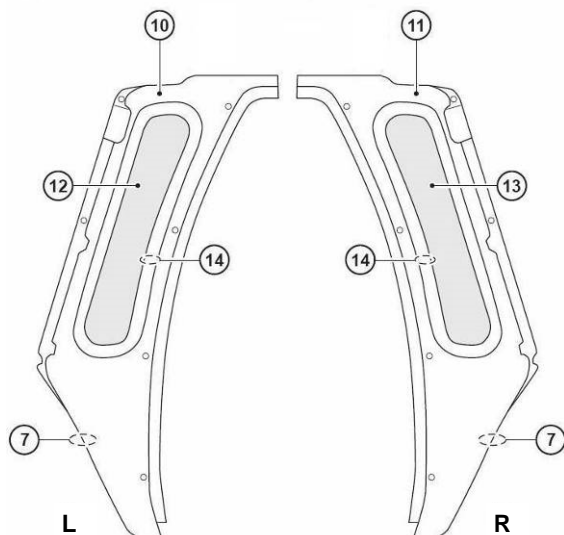


② Left Side Frame Including F & R Panel, Header, Rubber, and Side Filler Assembly, No Door

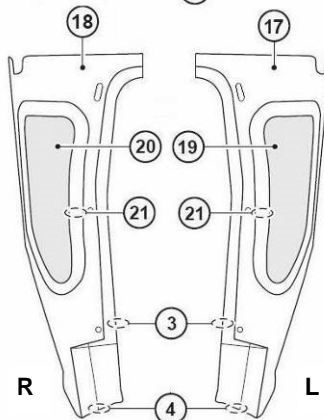


This list is to be used for ordering service parts. DO NOT DISCARD.

⑧ Left Front Panel Complete ⑨ Right Front Panel Complete



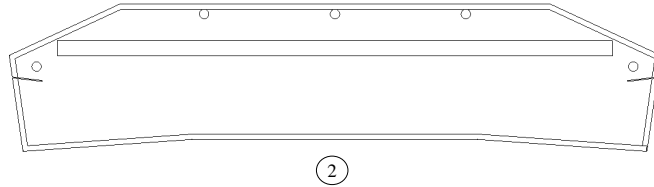
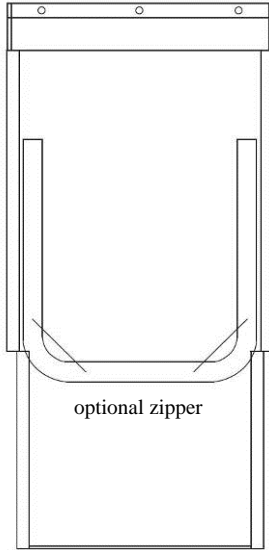
⑬ Right Rear Panel Complete ⑭ Left Rear Panel Complete



REF #	P/N	DESCRIPTION
1	8SV-10900010RSS 8SV-10900010RWT 8SV-10900010RBK	Right Side Frame Assembly Complete (Sandstone) Right Side Frame Assembly Complete (White) Right Side Frame Assembly Complete (Black)
2	8SV-10900010LSS 8SV-10900010LWT 8SV-10900010LBK	Left Side Frame Assembly Complete (Sandstone) Left Side Frame Assembly Complete (White) Left Side Frame Assembly Complete (Black)
3	9SV-PRO1-10	Standard Trim Lock (10' Length)
4	9SV-PRO2-15	5/8" Round Bulb Rubber (15' Length)
5		Left Door Header (Sold with Right Side Frame Assembly #1) (Sandstone, White or Black)
6		Right Door Header (Sold with Left Side Frame Assembly #2) (Sandstone, White or Black)
7	9SV-PRO2-15	5/8" Round Bulb Rubber (15' Length)
8	8SV-11300076LSS 8SV-11300076LWT 8SV-11300076LBK	Left Front Panel Complete (Sandstone) Left Front Panel Complete (White) Left Front Panel Complete (Black)
9	8SV-11300076RSS 8SV-11300076RWT 8SV-11300076RBK	Right Front Panel Complete (Sandstone) Right Front Panel Complete (White) Right Front Panel Complete (Black)
10		Left Front Panel Skin (Sold with Left Front Panel #8)
11		Right Front Panel Skin (Sold with Right Front Panel #9)
12	8SV-PG7X32L	Left Front Window w/ Mounting Rubber
13	8SV-PG7X32R	Right Front Window w/ Mounting Rubber
14		Ball Cage Rubber (Sold with Windows #12 & #13)
15	8SV-YD06L 8SV-YD06LW 8SV-YD06LBK	Left Rear Panel Complete (Sandstone) Left Rear Panel Complete (White) Left Rear Panel Complete (Black)
16	8SV-YD06R 8SV-YD06RW 8SV-YD06RBK	Right Rear Panel Complete (Sandstone) Right Rear Panel Complete (White) Right Rear Panel Complete (Black)
17		Left Rear Panel Skin (Sold with Left Front Panel #15)
18		Right Rear Panel Skin (Sold with Right Rear Panel #16)
19	8SV-PG9X21L	Left Rear Window w/ Mounting Rubber
20	8SV-PG9X21R	Right Rear Window w/ Mounting Rubber
21		Molded Acrylic Mounting Rubber (Sold with Windows #19 & #20)
22	8SV-113-00075 8SV-113-00091	Rear Filler Panel Assy, Black, Left & Right (Set) Rear Filler Panel Assy, Sandstone, Left & Right (Set)
23	8SV-113-00092 9SV-PR17-5	Rear Filler Panel Assy, White, Left & Right (Set) 3/4" Side Bulb Rubber (5' Length)

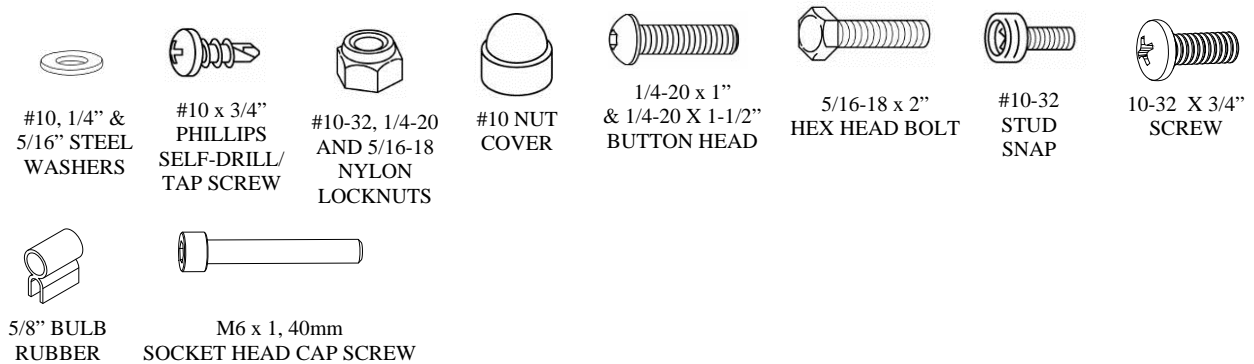
STANDARD PARTS (cont'd.)

REF	#P/N	DESCRIPTION
1	8SV-YD03RPCA-VR	Rear Curtain (w/ Velcro)
2	8SV-112-00023	Front Windshield Filler Panel



① Rear Curtain (note: a zippered version is available as an option)

HARDWARE KIT (HWK-00065):



TOOLS REQUIRED:

- ◇ OPEN END WRENCHES (METRIC AND SAE)
- ◇ RATCHET AND SOCKETS (METRIC AND SAE)
- ◇ ALLEN WRENCHES (METRIC AND SAE)
- ◇ SCREWDRIVERS (PHILLIPS AND FLAT)
- ◇ ELECTRIC DRILL AND 6" PHILLIPS HEAD BIT
- ◇ DRILL BITS (7/32" AND 5/16")
- ◇ TAPE MEASURE
- ◇ SCISSORS