



**YAMAHA VIKING  
CAB KIT WITH HARD DOORS  
p/n: 1YAMVK  
fits model years 2014-  
(fits Yanmar Bull model years 2017-)**

**NOTE: By design, the doors are made to not be removable!  
This is a safety feature since disabling the factory quarter doors.**

The contents of this envelope are the property of the owner.  
Be sure to leave with the owner when installation is complete.

APPROXIMATE INSTALLATION TIME: 3 HOURS  
(excluding accessories)



Available options (sold separately):  
Low Profile 5 LED Work Lights (p/n: 9LEDW4)  
Switch Panel (p/n: 9PSF1)  
Strobe Light (p/n: 9LEDS2)  
Interior Rear View Mirror (p/n: 9PM3)  
Exterior Side View Mirrors (p/n: 9PM5)

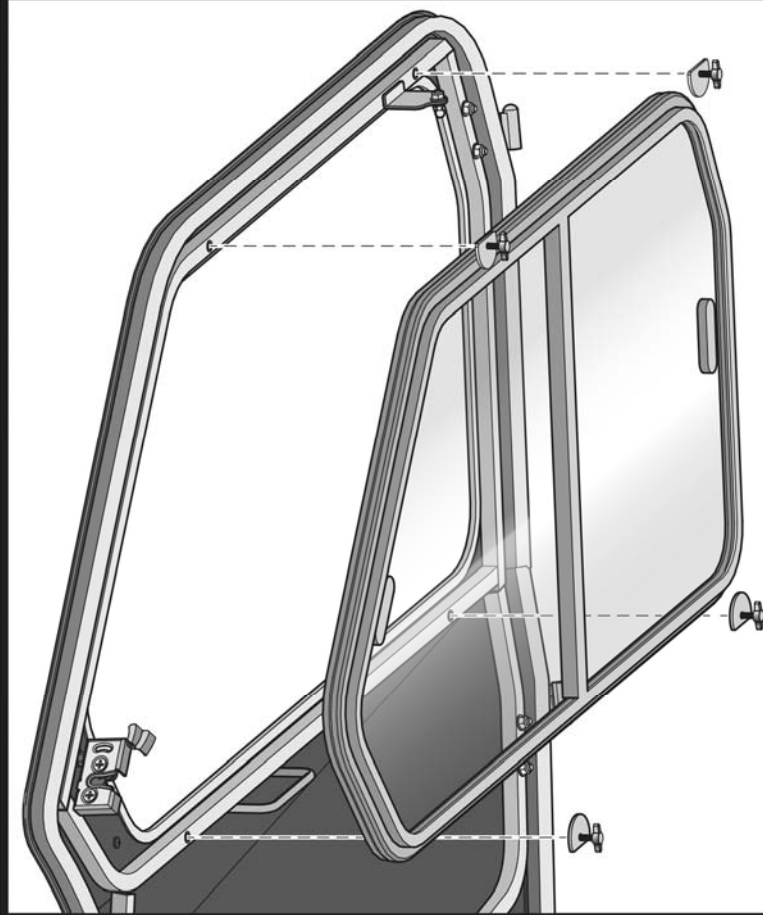
Note: Two windshield wipers are supplied with this cab kit.

Rev. C, 02/08/2018

p/n: IM-YAMVK



**EXCLUSIVE CURTIS QUICK-RELEASE DOOR WINDOWS FOR YAMAHA VIKING**



**TO RELEASE WINDOW**

**(B)** ROTATE TAB UP OR DOWN

**(A)** LOOSEN THUMB SCREW

**(C)** REMOVE WINDOW

**TO SECURE WINDOW**

**(A)** ROTATE TAB UP OR DOWN

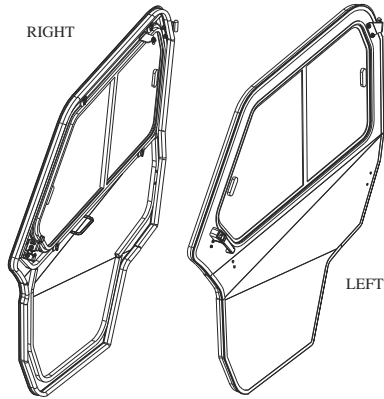
**(B)** TIGHTEN THUMB SCREW

**(C)** WINDOW IS SECURE

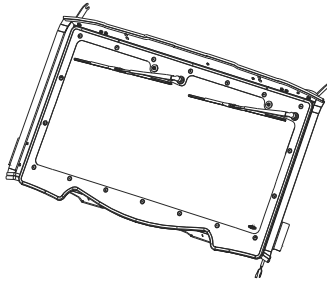


## YAMAHA VIKING CAB SERVICE PARTS (p/n: 1YAMVK)

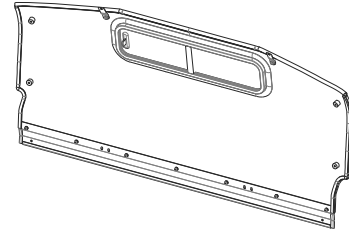
DOORS	QTY.	P/N
1L	1	8SV-VK07L-B4
1R	1	8SV-VK07R-B4



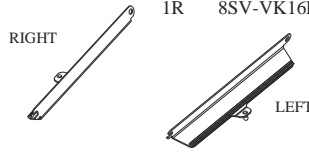
WINDSHIELD ASSEMBLY	QTY.	P/N
	1	8SV-VK02-B4



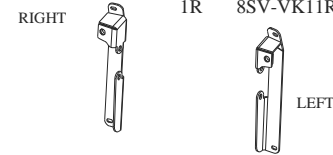
REAR PANEL	QTY.	P/N
	1	8SV-VK06-B4



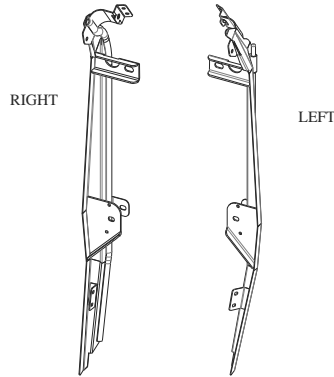
GAS SHOCK MOUNT	QTY.	P/N
1L	1	8SV-VK16L-B4
1R	1	8SV-VK16R-B4



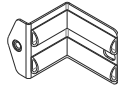
REAR PANEL MOUNT	QTY.	P/N
1L	1	8SV-VK11L-B4
1R	1	8SV-VK11R-B4



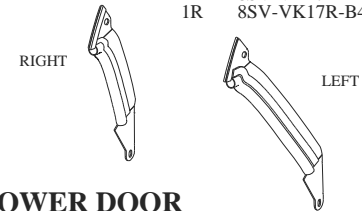
REAR LEG	QTY.	P/N
1L	1	8SV-108-00002-L
1R	1	8SV-108-00002-R



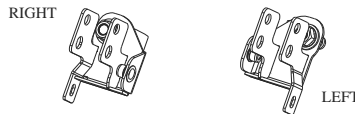
ROPS CLAMP	QTY.	P/N
	1	8SV-110-00014



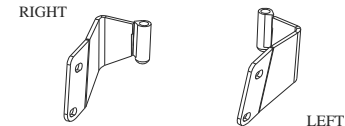
DOOR SEAL PANEL	QTY.	P/N
1L	1	8SV-VK17L-B4
1R	1	8SV-VK17R-B4



STRIKER	QTY.	P/N
1L	1	8SV-VK08L-B4
1R	1	8SV-VK08R-B4



LOWER DOOR HINGES	QTY.	P/N
1L	1	8SV-VKDHL-B4
1R	1	8SV-VKDHR-B4



LOWER DOOR FILLER	QTY.	P/N
1L	1	8SV-SM-00155-L
1R	1	8SV-SM-00155-R

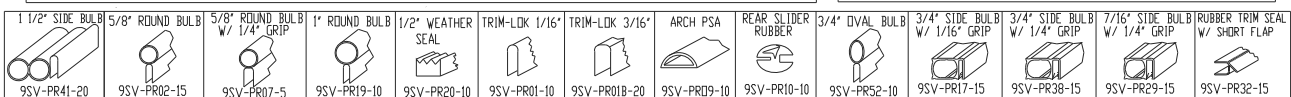


ADDITIONAL SERVICE PARTS  
(FOR MORE DETAIL VISIT: [www.curtisindustries.net/parts-lookup/](http://www.curtisindustries.net/parts-lookup/))

QTY.:	P/N:	DESCRIPTION:
1	8SV-SM-00156	REAR PANEL EXTENSION
1	8SV-SWRVK	REAR PANEL SLIDING WINDOW WITH RUBBER
1	8SV-SWVKL	LEFT DOOR SLIDER WITH RUBBER
1	8SV-SWVKR	RIGHT DOOR SLIDER WITH RUBBER
1	8SV-VKWS	WINDSHIELD (WINDOW ONLY) WITH MOUNTING HARDWARE
1	8SV-VK02A-B4	WINDSHIELD FRAME (OUTER STEEL FRAME)
1	8SV-VKWS-B4	WINDSHIELD STIFFENER (WINDOW, TUBE STIFFENER, NO WIPERS)
1	8SV-VKWSRS	RUBBER SEALS (COVER ROPS BOLTS) (INCL L+R)
1	9SV-VKHWK	HARDWARE KIT
1	9SV-GS04Q	GAS SPRINGS (INCL 2 PCS)
1	9SV-DHRL	OUTSIDE DOOR HANDLE KIT (INCL 2 PCS)
1	9SV-DL06S	INSIDE DOOR LATCH KIT (INCL 1L+1R)
1	9SV-HSLP	WINDSHIELD HINGE KIT (INCL L+R PINS, SLEEVES)
1	9SV-WL1	WINDSHIELD LOWER LATCH (INCL 2 PCS)
1	9PWM852	WINDSHIELD WIPER MOTOR 85° (DRIVER'S SIDE)
1	9PWM110	WINDSHIELD WIPER MOTOR 110° (PASSENGER'S SIDE)
1	9PWA14/16	WIPER ARM (14"-16")
1	9PWB20-FB	WIPER BLADE 20" - FLEX
1	9SV-VKVWVWH	WIPER WIRE HARNESS (VEHICLE SIDE)
1	9SV-VKWWH	WIPER WIRE HARNESS (CAB SIDE)
1	9SV-DL188	WARNING DECAL - DO NOT REMOVE DOORS
1	9SV-DL173	WARNING DECAL - HEARING PROTECTION REQUIRED
1	8SV-VKDHTL-B4	DOOR HINGE TOP (LEFT)
1	8SV-VKDHTR-B4	DOOR HINGE TOP (RIGHT)
1	8SV-VKDRT-B4	DOOR SLIDING WINDOW HOLDING TAB (INCL 4 PCS)
1	9SV-VKTHTS	1/4-20 X 3/4" T-HANDLE THUMB SCREW (INCL 4 PCS)
1	8SV-1YAMVK	INSTALLATION MANUAL (YAMAHA VIKING CAB)

HARDWARE KIT CONTENTS:

QTY.:	DESCRIPTION:
12	1/4-20 X 3/4" BUTTON HEAD SCREW
4	1/4-20 X 1-1/2" BUTTON HEAD SCREW
16	1/4-20 NYLOCK FLANGE NUT
6	1/4" ID X 1" OD STEEL FENDER WASHER
6	5/16-18 X 3/4" FLANGE BOLT
4	5/16-18 X 3/4" THREAD CUTTING FB
4	5/16-18 X 1-1/2" FLANGE BOLT
4	5/16-18 NYLOCK FLANGE NUT
4	3/8-24 X 2-1/4" HEX HEAD BOLT
2	3/8-24 X 3" HEX HEAD BOLT
6	3/8-24 NYLOCK NUT
12	3/8" ID X 13/16" OD STEEL WASHER
2	1/2-13 X 1" FLANGE BOLT



RUBBER TYPES: