



**YANMAR Ex 450**  
**Hard Sided Cab Kit    Curtis p/n: 1CYEX4AS**  
**Yanmar p/n: 59A40115727**

**Optional Hard Rear Panel    Curtis p/n: EX450-06A**  
**Yanmar p/n: 59A40122727**

The contents of this envelope are the property of the owner.  
Be sure to leave with the owner when installation is complete.

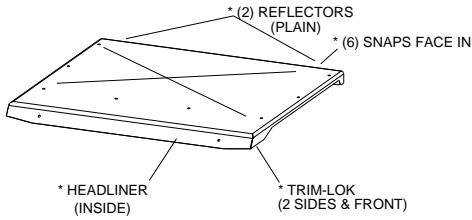
APPROXIMATE INSTALLATION TIME: 2 to 3 HOURS  
(excluding accessories)



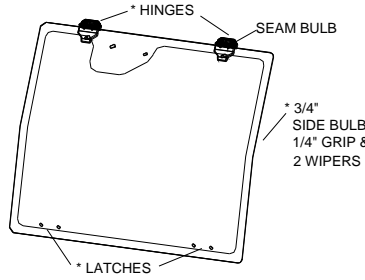
Shown with optional work lights, strobe light, heater, and rear window wiper.  
Note: a front windshield wiper comes standard with this cab kit.

# YANMAR Ex 450 CAB PARTS LIST

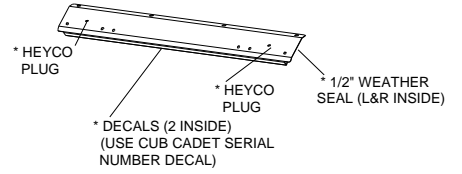
| ROOF       | QTY. | P/N          |
|------------|------|--------------|
| BLACK POLY | 1    | 8SV-45001-B5 |



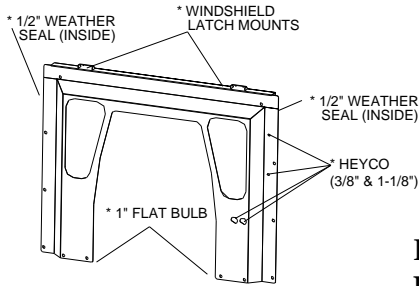
| WINDSHIELD | QTY. | P/N      |
|------------|------|----------|
| BLACK POLY | 1    | 8SV-EX02 |



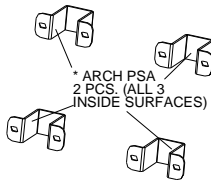
| WINDSHIELD SUPPORT | QTY. | P/N          |
|--------------------|------|--------------|
| BLACK POLY         | 1    | 8SV-KU304-B5 |



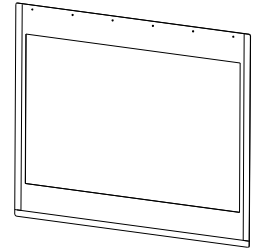
| COWL       | QTY. | P/N          |
|------------|------|--------------|
| BLACK POLY | 1    | 8SV-45003-B5 |



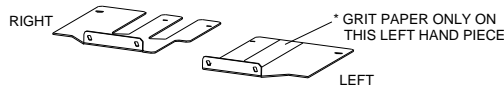
| ROLL BAR BRACKET | QTY. | P/N          |
|------------------|------|--------------|
| BLACK POLY       | 4    | 8SV-45010-B5 |



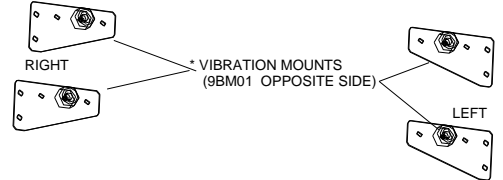
| REAR CURTAIN | QTY. | P/N          |
|--------------|------|--------------|
| BLACK VINYL  | 1    | 8SV-45008-VC |



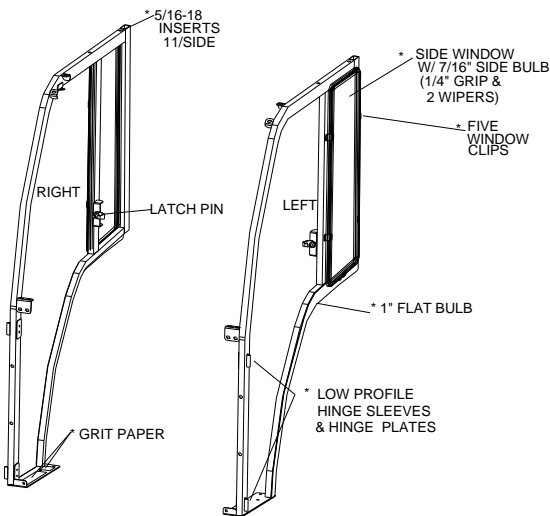
| FLOOR BOARD EXTENSIONS | QTY.    | P/N          |
|------------------------|---------|--------------|
| BLACK POLY             | LEFT 1  | 8SV-4504L-B5 |
|                        | RIGHT 1 | 8SV-4504R-B5 |



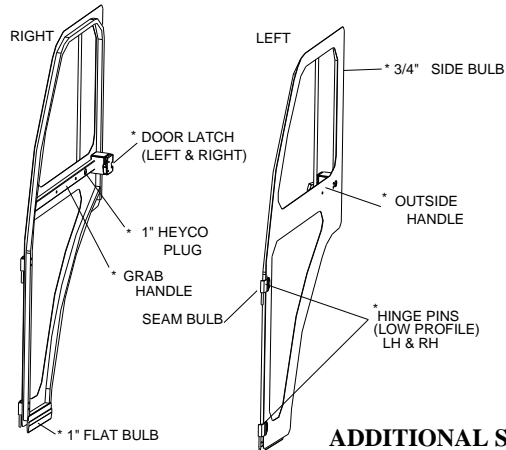
| REAR MOUNTS | QTY.    | P/N           |
|-------------|---------|---------------|
| BLACK POLY  | LEFT 2  | 8SV-45011L-B5 |
|             | RIGHT 2 | 8SV-45011R-B5 |



| SIDE FRAMES | QTY.    | P/N          |
|-------------|---------|--------------|
| BLACK POLY  | LEFT 1  | 8SV-4509L-B5 |
|             | RIGHT 1 | 8SV-4509R-B5 |



| HARD DOORS | QTY.    | P/N          |
|------------|---------|--------------|
| BLACK POLY | LEFT 1  | 8SV-4507L-B5 |
|            | RIGHT 1 | 8SV-4507R-B5 |



## ADDITIONAL SERVICE PARTS

| QTY./UNIT | P/N         | DESCRIPTION                        |
|-----------|-------------|------------------------------------|
| 1         | 450-HWK     | HARDWARE KIT                       |
| 1         | 9SV-HSLP    | DOOR HINGE KIT - LEFT AND RIGHT    |
| 1         | 9SV-IHRL    | DOOR LATCH KIT - LEFT AND RIGHT    |
| 1         | 9SV-OHRL    | OUTSIDE R-LATCH HANDLES W/ KEY (2) |
| 1         | 9SV-GH      | GRAB HANDLES (2)                   |
| 1         | 8SV-SWXL    | LEFT DOOR SLIDING WINDOW           |
| 1         | 8SV-SWXR    | RIGHT DOOR SLIDING WINDOW          |
| 1         | 8SV-PG450LD | LOWER DOOR ACRYLIC WINDOW          |
| 1         | 9SV-DS03    | DOOR TETHER (SINGLE)               |
| 1         | 8SV-GL12X33 | SIDE FRAME WINDOW W/ RUBBER        |
| 1         | 9SV-HWS     | WINDSHIELD HINGE KIT (2 HINGES)    |
| 1         | 9SV-WL1     | WINDSHIELD LATCH KIT (2 LATCHES)   |
| 1         | 8SV-PGEXWSC | COWL WINDOW WITH RUBBER            |

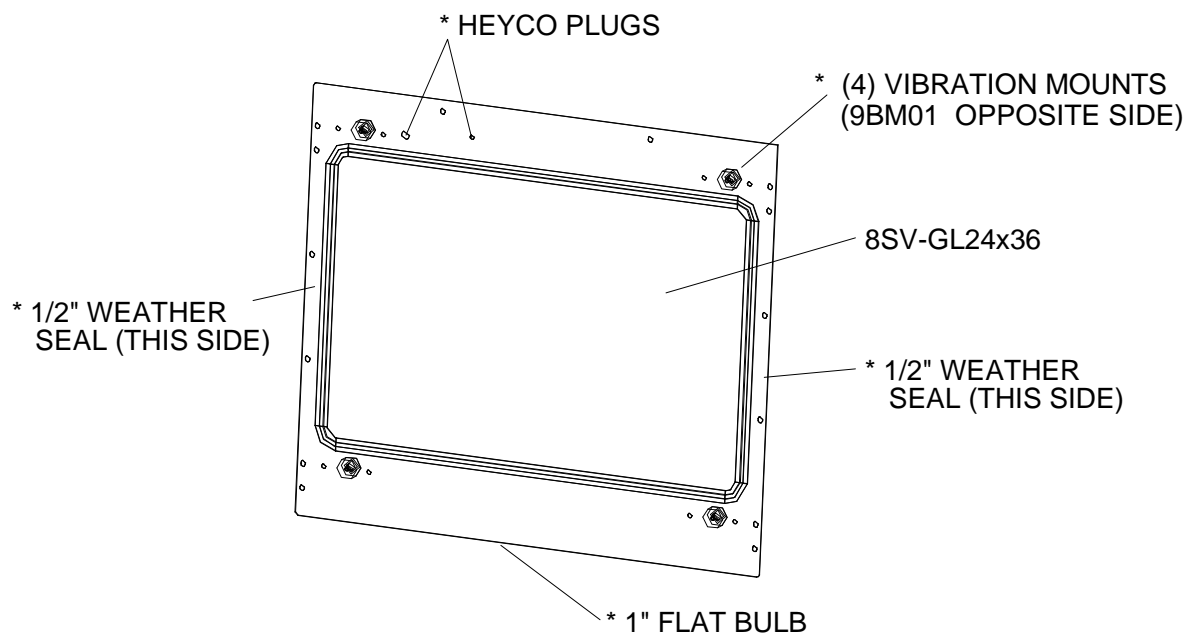
### RUBBER TYPES:

|                                     |  |
|-------------------------------------|--|
| TRIM-LOK (10")<br>9SV-PR01-10       | ARCH PSA (10")<br>9SV-PR09-10                                |
| 3/4" SIDE BULB (20")<br>9SV-PR17-20 | 7/16" SIDE BULB W/ 1/4" GRIP & 2 WIPERS (15")<br>9SV-PR29-15 |
| 1" FLAT BULB (10")<br>9SV-PR05-10   | 1/2" WEATHER SEAL (10")<br>9SV-PR20-10                       |



\* IN HOUSE APPLICATIONS

# YANMAR Ex 450 REAR PANEL PARTS LIST

| REAR PANEL | QTY. | P/N       |
|------------|------|-----------|
| BLACK POLY | 1    | EX450-06A |



RUBBER TYPES:

|  |   |
|--|---|
| <p>1" FLAT BULB (10')</p>  <p>9SV-PR05-10</p> | <p>1/2" WEATHER SEAL (10')</p>  <p>9SV-PR20-10</p> |
|--|---|