



**YANMAR Sx3100  
cab kit with hard doors  
and soft rear curtain  
p/n: 1CYSX3AS**

An optional Hard Rear Panel can  
be purchased separately (p/n: SX3100-06A)

The contents of this envelope are the property of the owner.  
Be sure to leave with the owner when installation is complete.

APPROXIMATE INSTALLATION TIME: 2 to 3 HOURS  
(excluding accessories)

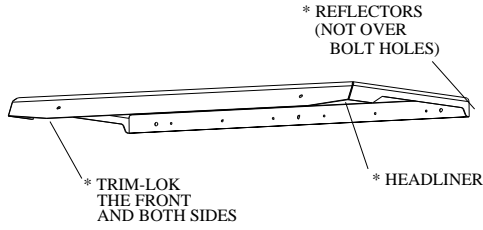


Shown with optional work lights.  
Additional options available are: heater, hard rear panel,  
and rear window wiper. Note: a front windshield wiper  
comes standard with this cab kit.

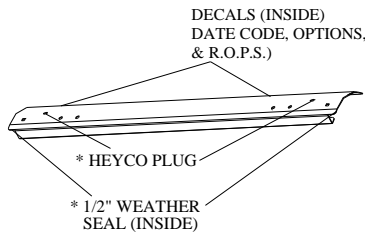
Rev. E  
9/28/2017  
p/n: IM-1CYSX3AS

## YANMAR Sx3100 CAB PARTS LIST (p/n 1CYSX3AS)

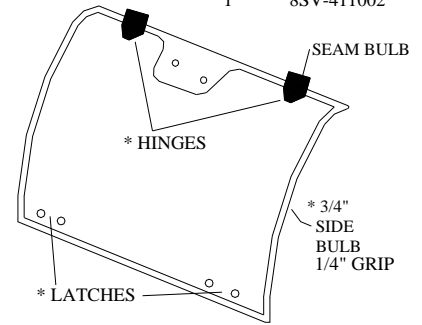
ROOF	QTY.	P/N
BLACK POLY	1	8SV-411001-B5



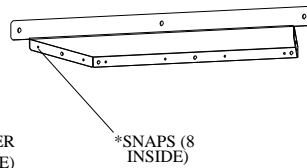
WINDSHIELD SUPPORT	QTY.	P/N
BLACK POLY	1	8SV-411004-B5



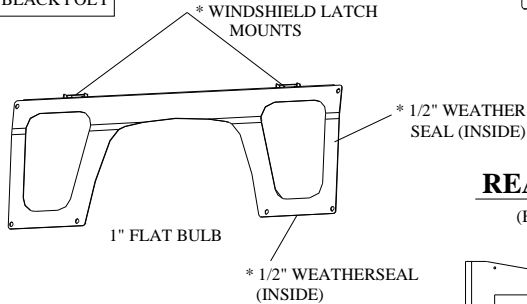
WINDSHIELD	QTY.	P/N
	1	8SV-411002



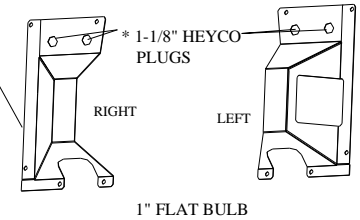
REAR PANEL TOP	QTY.	P/N
BLACK POLY	1	8SV-SX14-B5



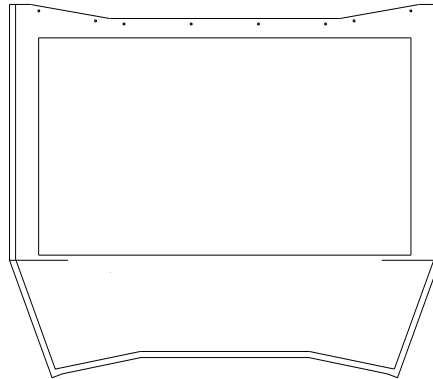
COWL	QTY.	P/N
BLACK POLY	1	8SV-SX05-B5



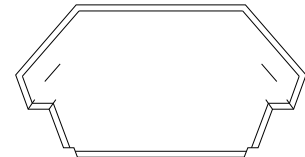
FRONT LEGS	QTY.	P/N
BLACK POLY	LEFT	1 8SV-SX03L-B5
	RIGHT	1 8SV-SX03R-B5



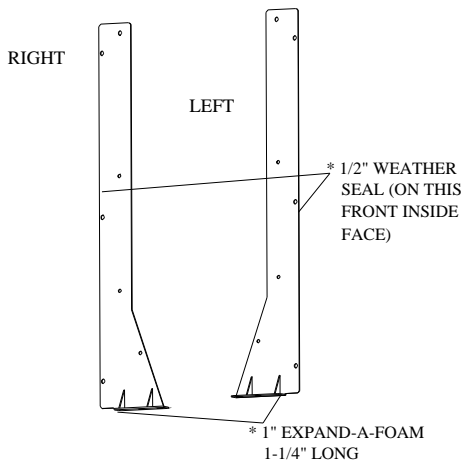
REAR CURTAIN	QTY.	P/N
(BLACK VINYL)	1	8SV-SX16-VC



UNDER SEAT FILLER	QTY.	P/N
(RUBBER)	1	8SV-SX12



REAR LEGS	QTY.	P/N
BLACK POLY	LEFT	1 8SV-SX11L-B5
	RIGHT	1 8SV-SX11R-B5



LIGHT MOUNTS	QTY.	P/N
BLACK POLY	2	8SV-SX17-B5




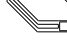



BRAKE PEDAL FILLER	QTY.	P/N
(BLACK VINYL)	1	8SV-SX13-VC



\* IN HOUSE APPLICATIONS

RUBBER TYPES:

TRIM-LOK	1/2" WEATHER SEAL	3/4" SIDE BULB W/ 1/4" GRIP	1" FLAT BULB	1" EXPAND-A-FOAM
 9PR01	 9PR20	 9PR29	 9PR05	 9PR30

\* IN HOUSE APPLICATIONS

### ADDITIONAL SERVICE PARTS

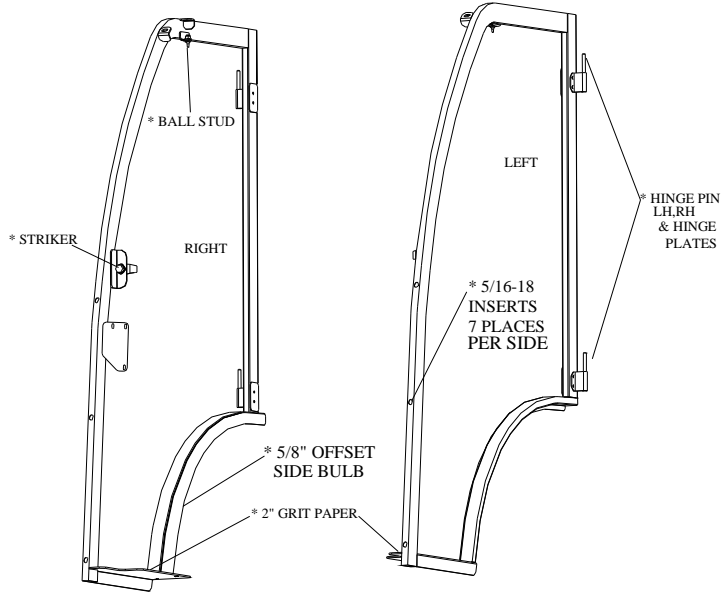
QTY./UNIT	P/N	DESCRIPTION
1	CCYSX-HWK	HARDWARE KIT
1	9SV-HSLP	DOOR HINGE KIT - LEFT AND RIGHT
1	9SV-IHRL	DOOR LATCH KIT - LEFT AND RIGHT
1	9SV-OHRL	OUTSIDE R-LATCH HANDLES W/ KEY (2)
1	9SV-GH	GRAB HANDLES (2)
1	8SV-SWXL	LEFT DOOR SLIDING WINDOW
1	8SV-SWXR	RIGHT DOOR SLIDING WINDOW
1	8SV-PG4110LD	LOWER DOOR ACRYLIC WINDOW
1	9SV-GS02	GAS SPRING
1	9SV-HWS	WINDSHIELD HINGE KIT (2 HINGES)
1	9SV-WL1	WINDSHIELD LATCH KIT (2 LATCHES)

CABS/BLADES/SPREADERS/ACCESSORIES

# YANMAR Sx3100 CAB PARTS LIST (p/n 1CYSX3AS)

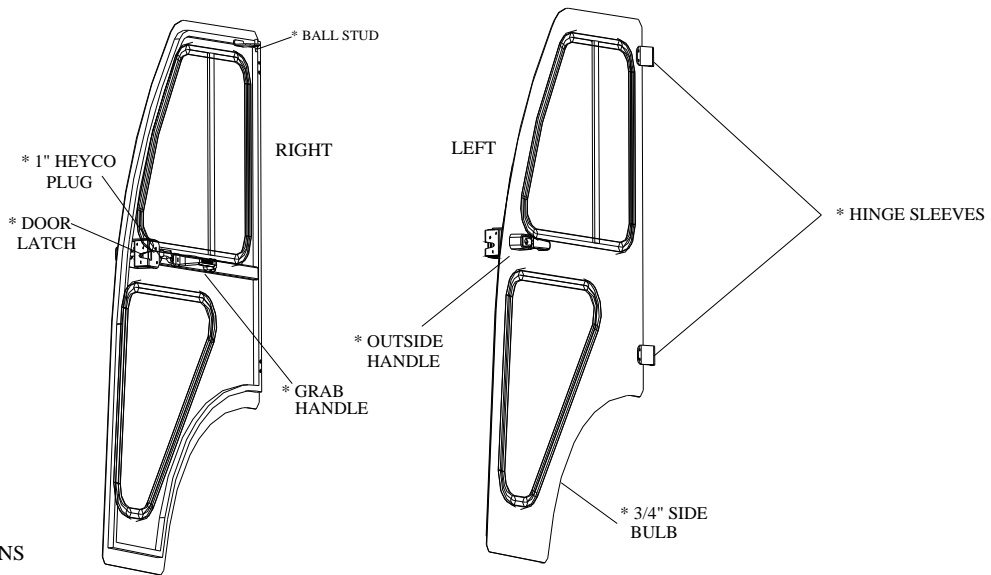
## UNITIZED SIDE FRAMES HARD CAB

	QTY.	P/N
LEFT	1	8SV-SX9L-B5
RIGHT	1	8SV-SX9R-B5



## HARD DOORS

	QTY.	P/N
LEFT	1	8SV-2520AS7L-B5
RIGHT	1	8SV-2520AS7R-B5



\* IN HOUSE APPLICATIONS

RUBBER TYPES:

