



L & XL UNIVERSAL ROPS-MOUNT CANOPY



Perfect for any condition!



Universal ROPS Canopy (PN: 1UTCLO | 1UTC0)

Versatile | Lightweight Aluminum | Reversible | Universal Fit

CURTIS CANOPY FEATURES

Lightweight aluminum cover

Weight - Large: 30 lbs | X-Large: 34 lbs

Textured powder-coat finish

Toolless removal in seconds

Integrated handles - quick release latches

Reversible - rear facing for backhoe operation

Adjustable positioning - fits angled or straight ROPS

Easily installs in 30 minutes

Trailerable up to 35 mph

3-SPEED CANOPY FAN AVAILABLE



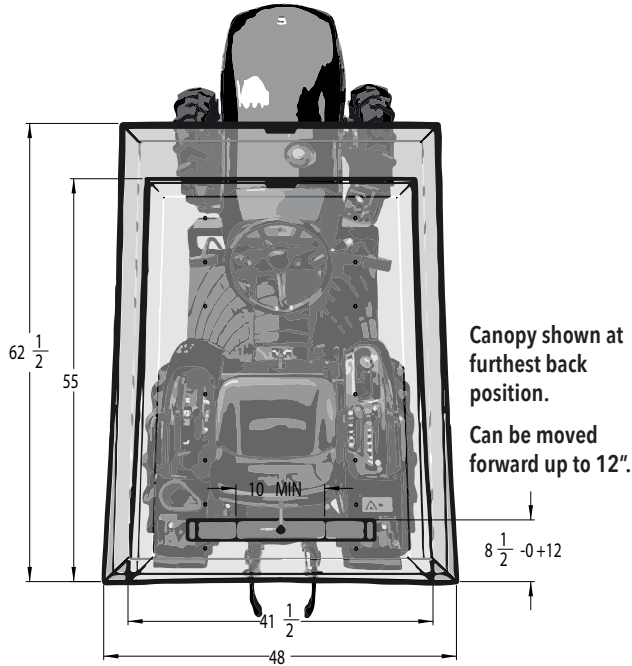
Fan is adjustable up to 45° in relation to the canopy. Overhead console gives easy access to blower speed controls and adjustable air vents.



L & XL UNIVERSAL ROPS-MOUNT CANOPY

Canopy Fitment Requirements:

- Fits square or rectangular ROPS
- 10" of flat surface on top of ROPS
- 2" to 3" ROPS width
- 1.5" to 2.75" ROPS thickness



Canopy adds 4" perpendicular to the flat top surface of the ROPS



Mounts to compact, sub-compact tractors & zero turn mowers

Enhancing our Customers' Comfort and Productivity Every Day  More Innovation. More Value.

Pivot assembly mounts to vehicle ROPS in minutes.



Canopy adjusts 12" (6" forward or back) & angles up to 36 degrees to accommodate operator position.



AUTHORIZED DEALER

(PN: 1UTCTx | 1UTCLTx)

All brand names are trademarked by their respective companies. Curtis Industries and its products are not endorsed or affiliated with any of these companies.

70 Hartwell Street | West Boylston, MA | 01583 | 508.853.2200 | www.curtiscab.com