



INSTALLATION MANUAL STEEL DOORS

(black p/n's: 77700-VC5090A, VC5090) (orange p/n's: 77700-VC5091A, VC5091)
KUBOTA RTV-X900, RTV-X1120D, RTV-XG850

CALIFORNIA PROPOSITION 65



Cancer and reproductive harm - www.P65Warnings.ca.gov

IMPORTANT!

CAB COMPONENT ORDER OF INSTALLATION:

1. Canopy Mounts (Canopy Kit)
2. Windshield Assembly
3. Door Strikers & Hinge Mounts (Door Kit)
4. Rear Panel Assembly
5. Canopy Assembly
6. Door Assemblies

NOTE: Front Heavy Duty Springs (V5218) or Heavy Duty Spring Damper Assembly (V5219) is required if complete cab is installed (RTV-X900, RTV-X1120D, and RTV-XG850).

Compatible with: VC5000, VC5001, and VC5011 Canopies.

Requires: VC5020, VC5023, or VC5025 Windshield and VC5040 Rear Panel.

Not compatible with: V5221 Canopy.

Not compatible with: V5027, V5258, or V5259 Windshields.

NOTE:

Windshield assemblies VC5025, VC5023, and VC5020 must be installed prior to installation of doors.

BEFORE INSTALLING STEEL DOORS

- Read all instructions and safety instructions in this manual.
- Refer to your machine's operator's manual and safety instructions on your machine's safety decals.
- Wear appropriate personal protective equipment (PPE) when performing work.
- Hang a "**DO NOT OPERATE**" tag in operator station.
- If the vehicle currently has half-doors installed, please remove them and any accompanying hardware at this time. Those components are not compatible with the cab doors. See illustration on page 4.



WARNING

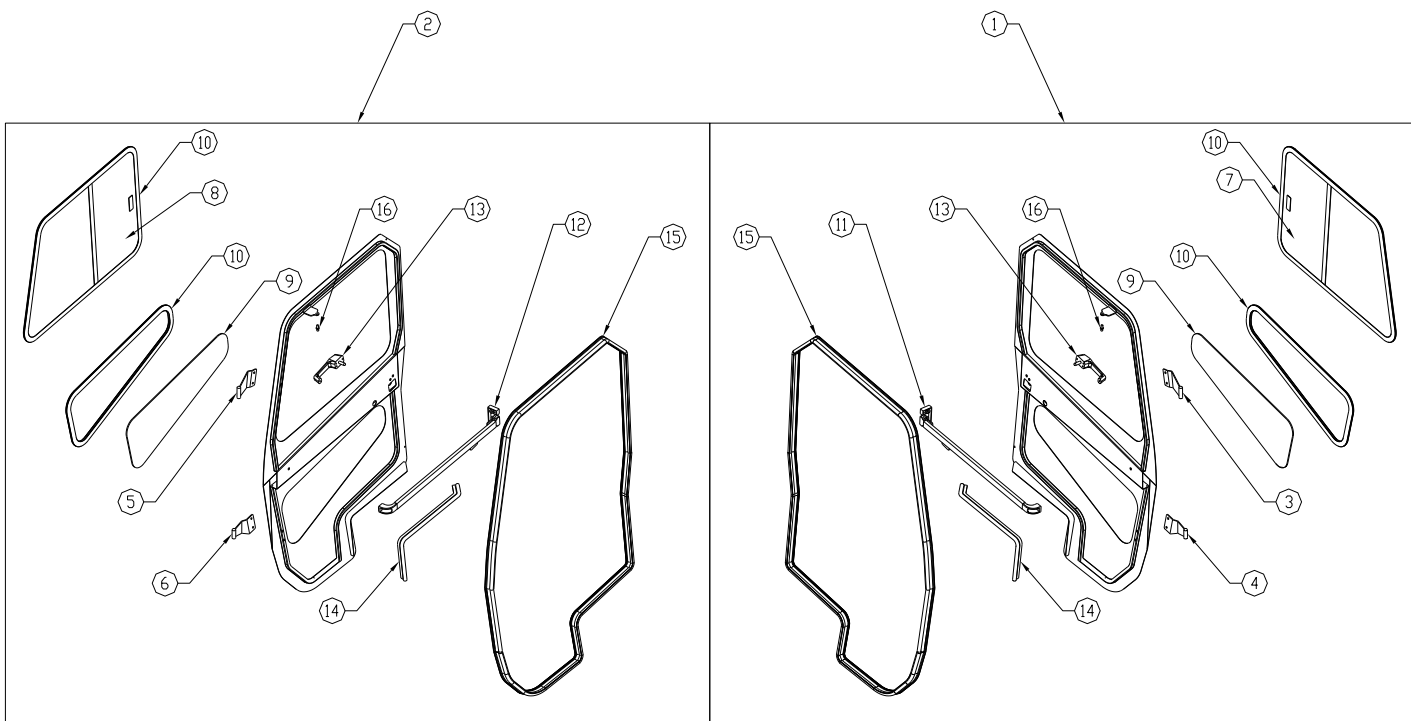
To avoid personal injury or death:

- Cabs, blades, and general accessories add additional weight to the base vehicle. Deduct the accessory's total weight from the vehicle's rated capacity including passenger and driver. Never operate the vehicle outside of its rated weight capacity.
- Exposure to carbon Monoxide can cause illness, serious injury, or death. Never operate vehicle if suspicious of Carbon Monoxide. Inspect exhaust system for leaks monthly. Leaks can result from loose connections, corrosion, cracks, or other damage to the exhaust manifold. If leaks are found, repair or replace exhaust system. Do not use vehicle until repair or replacement is complete.
- These doors do not provide protection from: a rollover (or other accidents), from flying objects (including golf balls), or from lightning. When lightning threatens, take cover and do not operate vehicle.

Estimated assembly time: 1 hour

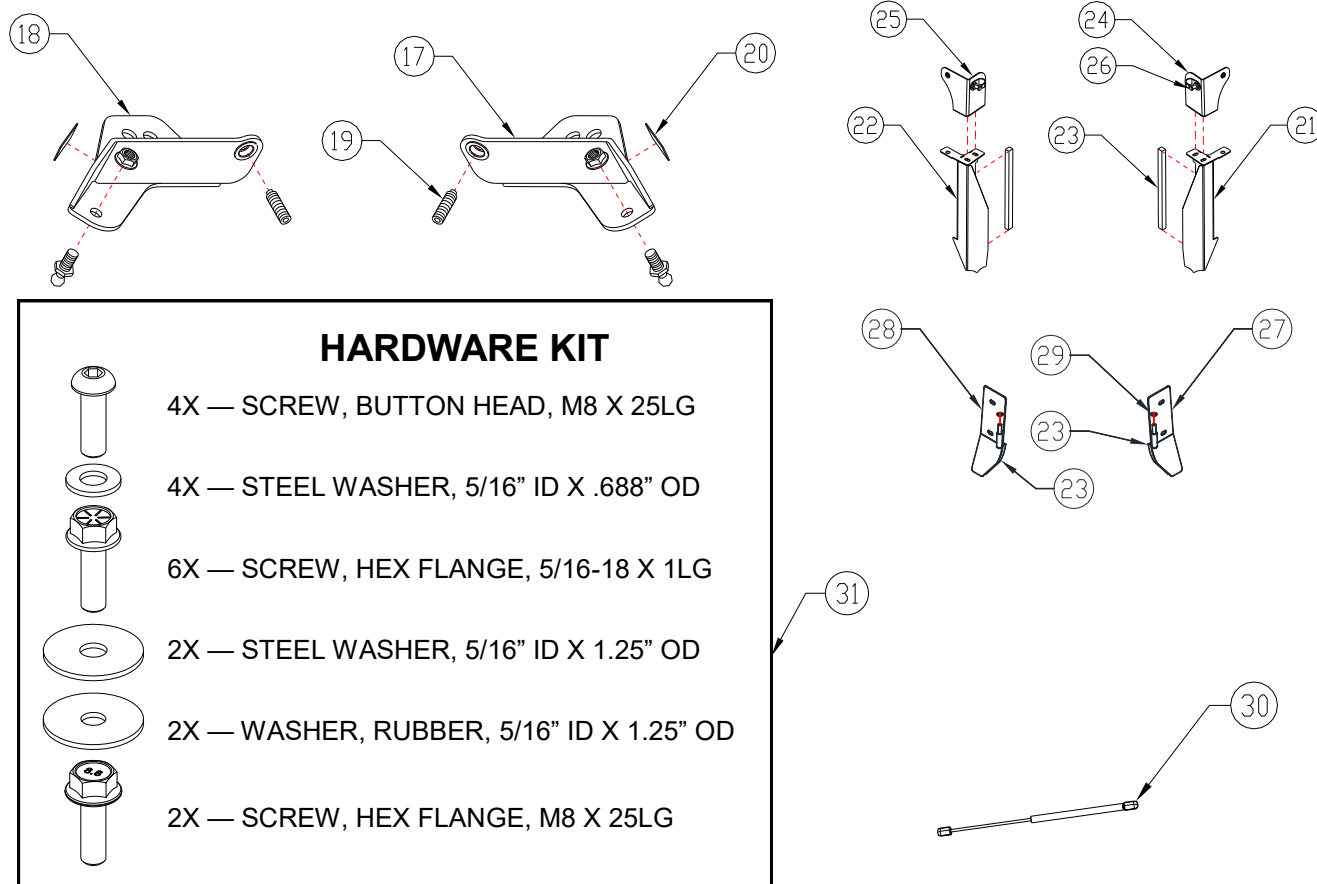
■ AVAILABLE REPLACEMENT PARTS (continued on next page)

Ref. No.	Part No.	Part Name	QTY	REMARKS
1	77700-05230	Black Hard Sided Door, left	1	Code No.: KX9AS-07LB (contains one left black door)
1	77700-05231	Orange Hard Sided Door, left	1	Code No.: KX9AS-07LO (contains one left orange door)
2	77700-05232	Black Hard Sided Door, right	1	Code No.: KX9AS-07RB (contains one right black door)
2	77700-05233	Orange Hard Sided Door, right	1	Code No.: KX9AS-07RO (contains one right orange door)
3	77700-05234	Door Hinge, top left	1	Code No.: KX9DHT-L (contains one hinge)
4	77700-05235	Door Hinge, bottom left	1	Code No.: KX9DHB-L (contains one hinge)
5	77700-05236	Door Hinge, top right	1	Code No.: KX9DHT-R (contains one hinge)
6	77700-05237	Door Hinge, bottom right	1	Code No.: KX9DHB-R (contains one hinge)
7	77700-05238	Slider, 3/16" tempered (AS2) glass, no tint, left	1	Code No.: 9SW-KX9L (contains one slider)
8	77700-05239	Slider, 3/16" tempered (AS2) glass, no tint, right	1	Code No.: 9SW-KX9R (contains one slider)
9	77700-05240	Lower Door Window	1	Code No.: PG-KX9LD (contains one window)
10	77700-00279	Window Rubber (110" long)	1	Code No.: 9PR10 (contains one strip)
11	70000-01020	Door Latch, Bar, long, right (on rear hinged doors)	1	Code No.: 9DL02B (contains one door latch)
12	70000-01019	Door Latch, Bar, long, left (on rear hinged doors)	1	Code No.: 9DL02A (contains one door latch)
13	70000-01018	Door Handle	1	Code No.: 9DL01C (contains one handle)
14	70000-01051	5/8" Round Bulb (40" long)	1	Code No.: 9PRO2 (contains one strip)
15	77700-05241	1-1/2" Double-Sided Bulb (189" long)		Code No.: 9PR41 (contains one strip)
16	70000-01024	Ball Stud	1	Code No.: 9GS02A (contains one ball stud)
NS	70000-01216	Keys for outside handles	1	Code No.: 9DL01H (contains 2 keys)



■ AVAILABLE REPLACEMENT PARTS (also on previous page)

Ref. No.	Part No.	Part Name	QTY	REMARKS
17	77700-05242	Gas Shock Mount Assy, upper, left	1	Code No.: KX9-16L (contains one mount assy)
18	77700-05243	Gas Shock Mount Assy, upper, right	1	Code No.: KX9-16R (contains one mount assy)
19	77700-05244	Screw, SH, SS, 5/16-18 x 1" long	1	Code No.: 70-58-0119 (contains one screw)
20	77700-05154	1/8" x 1" Foam Tape (7" long)	1	Code No.: 9PR39 (contains one strip)
21	77700-05245	Striker Mount Base, left	1	Code No.: KX9-12L (contains one mount base)
22	77700-05246	Striker Mount Base, right	1	Code No.: KX9-12R (contains one mount base)
23	77700-05247	1/2" w x 9/16" Rubber Foam Weatherseal (32" long)	1	Code No.: 9PR43 (contains one strip)
24	77700-05248	Striker Mount Assy, left	1	Code No.: KX9-13L (contains one mount assy)
25	77700-05249	Striker Mount Assy, right	1	Code No.: KX9-13R (contains one mount assy)
26	77700-05250	Hardened Striker Pin Assy	1	Code No.: 9SV-DSTRH (contains one pin assy)
27	77700-05251	Lower Hinge Mount, left	1	Code No.: KX9-14L (contains one mount)
28	77700-05252	Lower Hinge Mount, right	1	Code No.: KX9-14R (contains one mount)
29	77700-05253	Weld-On Hinge Washer	1	Code No.: 9PHW010-W (contains one washer)
30	77700-05202	Gas Spring, 10 lb. with Quick Release Ends	1	Code No.: 9GS10Q (contains one gas spring)
31	77700-05203	Hardware Kit (all inclusive)	1	Code No.: KX9HWK-07 (contains all items listed below)





CAUTION

To avoid personal injury:

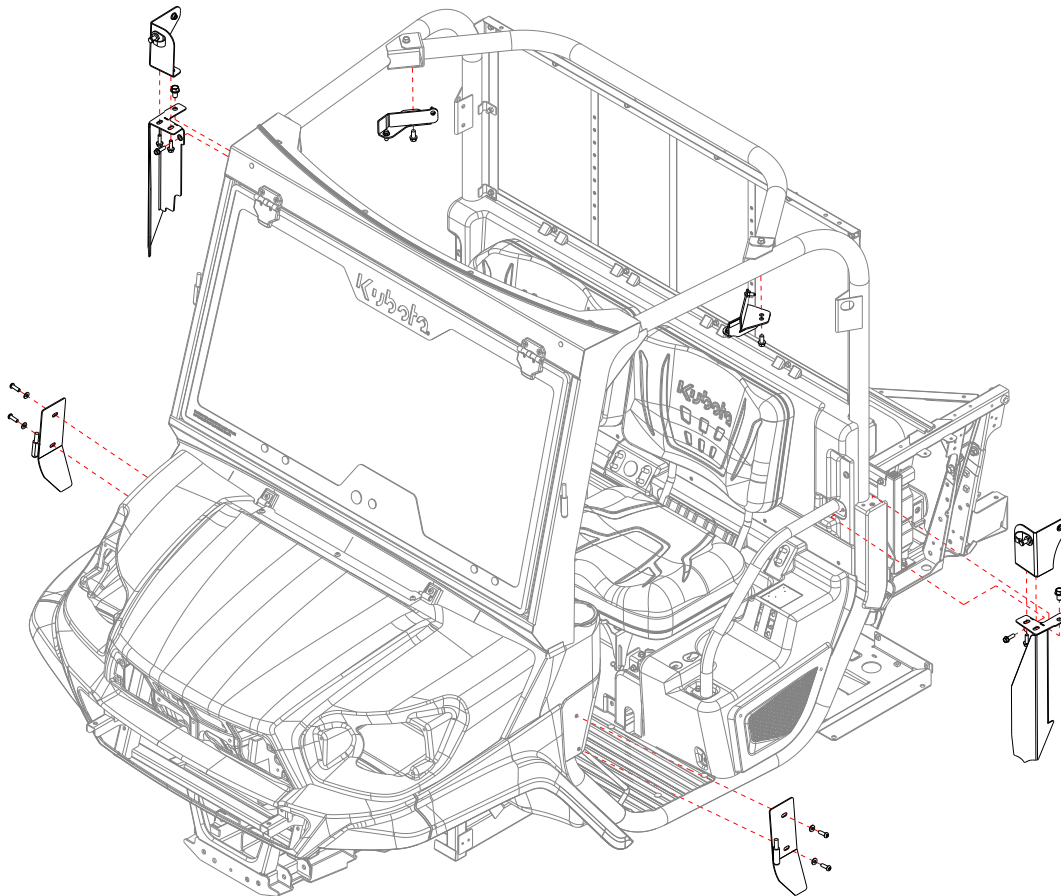
- Park the machine on a firm and level surface.
- Apply the parking brake if applicable.
- Stop the engine and remove the key from the machine if applicable.

■ ASSEMBLY PROCEDURE

NOTE:

- **All assembly procedures listed within this manual are generally representative of the machine model for which the manual is written.** Your machine may be configured differently, but the outline for the procedure should still be followed. For further support for any issues not covered within the pages of this manual, please contact your local Kubota representative.

1. If the vehicle currently has half-doors installed, please remove them and any accompanying hardware at this time. Those components are not compatible with the cab doors.



IMPORTANT! If you haven't already installed the windshield, install it at this time.

2. Remove lower rear ROPS bolt (M12) and upper rear hip restraint bolt (M8) on left side of vehicle. Save the (M12) for re-use. (see fig. 2)
3. Loosely install the Striker Mount onto Striker Mount Base using (2) 5/16-18 hex flange screws. Note: Screws should initially be located roughly in the center of the slots and finger tight. Later, during door installation, the striker mount may need to be adjusted.
4. Install Striker Mount Base using the (M12) vehicle ROPS bolt removed in step 2 and (1) of the supplied M8 X 25LG hex flange screw, replacing the upper rear hip restraint bolt. Note: Be sure to press the bottom of the striker mount base against the lower vehicle ROPS to compress the pre-installed foam tape while tightening the fasteners.
5. Torque the M12 screw to 62 ft.-lbs. Torque the M8 screw to 19 ft.-lbs.
6. Repeat on right side.

Note: See Door Troubleshooting section on last page for information about adjusting striker pin and striker mount assembly.

Note: If vehicle has plastic plugs installed in half-door hinge mount holes, please remove them now.

7. Install left Lower Hinge Mount to the vehicle using (2) M8 button head cap screws and steel washers, as shown. Leave finger tight. (see fig. 7)
8. Run a long straight edge from the hinge pin on the Windshield Support to the hinge pin on the Lower Hinge Mount to pre-align the axes of the pins.
9. While holding the straight edge in place, tighten the button head cap screws. Note: It may be necessary to loosen and re-tighten these screws later during door adjustment.
10. Repeat on right side.
11. Remove lower ROPS bolt (M10) from left end of ROPS upper rear cross member. Save for re-use. (see fig. 11)
12. Install Gas Shock Mount Assembly, as shown, using ROPS bolt removed in step 11. Torque to 38 ft.-lbs. Note: Hold back flange of gas shock mount assembly (where foam tape is installed) against the inside of ROPS tube while tightening.
13. Snug nylon tipped set screw until it contacts ROPS tube.
14. Repeat on right side. Note: Use rear hole on Gas Shock Mount Assembly on right side of vehicle.

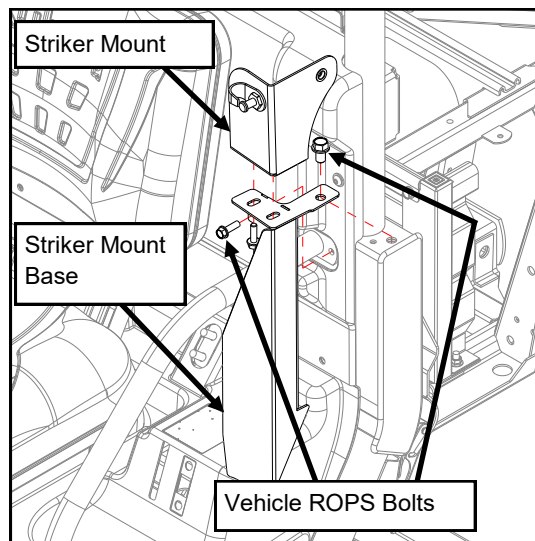


Fig. 2

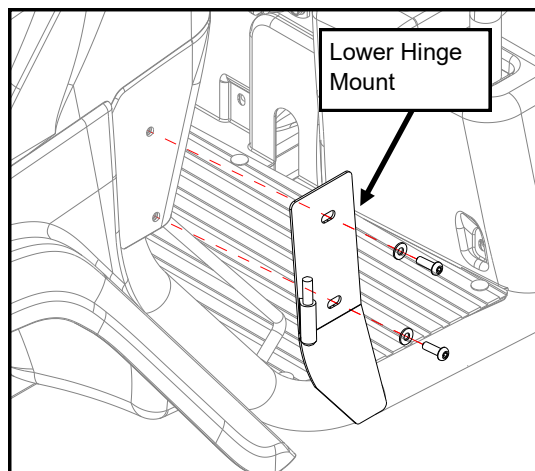


Fig. 7

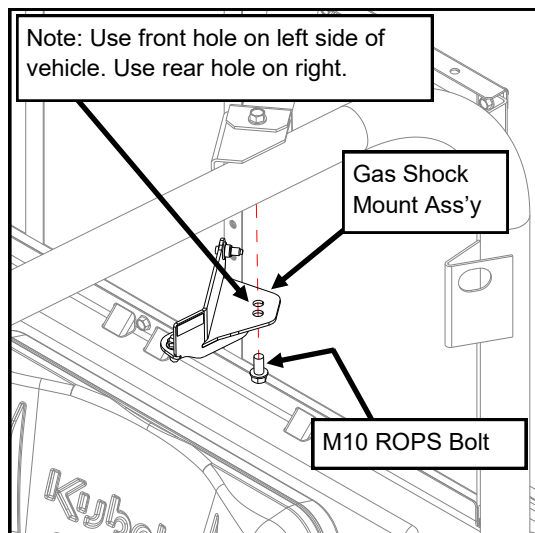


Fig. 11

IMPORTANT! Install rear panel at this time.

Note: Screws, fender washers, and rubber washers for fastening rear panel to striker mounts included in **door kit**.

15. Install (4) provided brass washers onto the weld-on hinge pins on the windshield frame and lower hinge mounts. (see fig. 15)

16. Apply grease to the hinge pins.

17. Holding the door perpendicular to the vehicle, lower the door hinge sleeves over hinge pins on vehicle. (see fig. 17)

Note: If the hinge sleeves don't line up with the hinge pins, loosen factory installed door hinges until fasteners are finger tight, then repeat this step, aligning the sleeves to the pins, as necessary.

18. Rotate the door open and closed until the hinge sleeves seat properly on the brass washers. It may be necessary to manipulate the angle of the hinges by hand to get them to fully seat on the brass washers.

19. Gently close the door, lifting on the door handle if necessary, to allow the latch to lock around the striker pin. Ensure that you have heard (2) clicks of the latch. Use a long straight edge to ensure that the hinges are in-line with each other.

20. With an assistant sitting inside the vehicle, tighten the (4) 1/4-20 hinge screws and nuts, if loosened in step 17.

Note: See Door Troubleshooting section on last page for information about adjusting the door latches and hinges.

21. Open door to slightly less than 90°.

22. Install gas shock onto ball studs with rod end towards the door. (see fig. 22)

23. Repeat steps 17-22 for the other door.

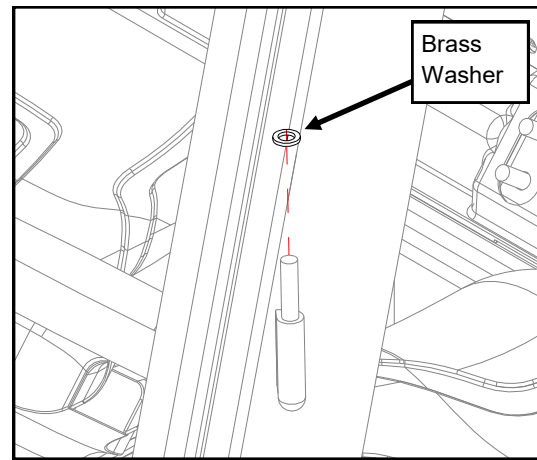


Fig. 15

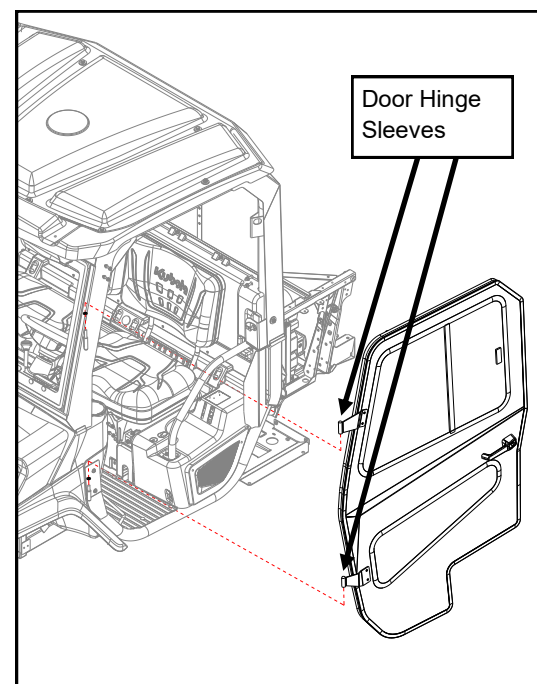


Fig. 17

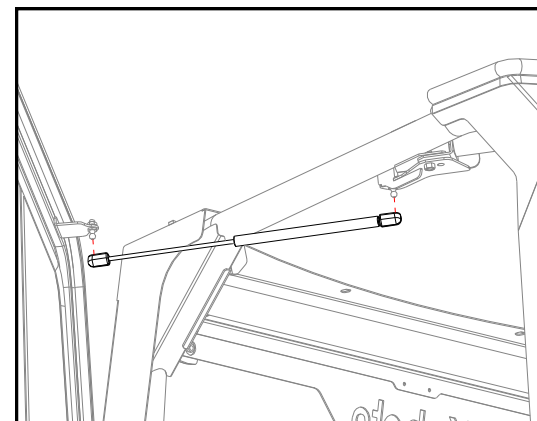


Fig. 22

DOOR TROUBLESHOOTING

Condition	Possible Solution
<ul style="list-style-type: none"> Door latch and striker pin do not line up vertically 	<ul style="list-style-type: none"> Loosen striker pin and move up or down. Use (2) 3/4" wrenches to adjust striker pin.
<ul style="list-style-type: none"> Door latch and striker pin do not line up horizontally 	<ul style="list-style-type: none"> Remove plastic covers on interior door latch. Loosen (3) 1/4-20 hex flange screws. Move interior door latch forward or backward. Loosen striker mount screws and lower outer rear panel screws. Move striker mount forward or backward.
<ul style="list-style-type: none"> Door is not aligned to vehicle 	<ul style="list-style-type: none"> Loosen door hinges and lower hinge mount, if necessary. With the door unlatched, lift up (or lower down) on the door handle until the door is aligned with the vehicle. Have an assistant sit inside the vehicle and determine the new height required for the striker pin. Have the assistant adjust the height of the striker pin. Re-latch the door and tighten all fasteners.

CARE AND MAINTENANCE

Check and tighten all hardware after 20 hours of operation. Periodically inspect and tighten hardware for the remainder of the unit's service life. Keep the enclosure components clean in order to prevent dust and dirt from forming an unattractive film. The life of your cab components depend upon following these care procedures:

- NEVER USE AN ABRASIVE DETERGENT / VEHICLE CLEANER OR A WIRE BRISTLED BRUSH.**
Do not use any **CITRUS BASED CLEANERS** such as orange or lemon.
- NEVER USE AN ALCOHOL-BASED PRODUCT FOR CLEANING PLASTIC LOWER WINDOWS.**
Many brand-name glass cleaners contain alcohol that will result in deterioration of the plastic windows.
- Clean the enclosure surfaces thoroughly with warm soapy water and a COTTON cloth or chamois. Be sure to use mild soap, specifically a dish liquid or equivalent. Clean in a light circular motion for best results.
- Use EXTRA CAUTION when cleaning the interior of the enclosure. The interior is more sensitive than the exterior.
- Remove grease and oil with mineral spirits and a COTTON cloth or chamois.