



Kubota BX80

Advantage Cab with Heater (p/n: 1KBX80CA2) Plus Cab with Heater (1KBX80PC) Base Cab (1KBX80EN)

While this cab kit was designed to fit on the vehicle(s) listed above, manufacturing tolerances and vehicle assembly may affect cab fitment. It is the responsibility of the cab installer to check all vehicle pedals and levers for full functionality and, as required, adjust the cab fitment to prevent any interference of the cab components with the travel of pedals or levers.



Available Options:

1. Front LED Work Lights (P/N: 9LEDW4)
2. Rear LED Work Lights (P/N: 9LEDW3)
3. Strobe Light (P/N: 9LEDS2)
4. Dome Light (P/N: 9LEDD14)

Approximate Installation Time *
Experienced Dealer Technician – 5 Hours
Average Dealer Technician – 6 Hours
Do-It-Yourself – 7 Hours

(* = Not including accessories)

Approximate Product Specifications
Floorboard to Roof Height: 59-1/4 inches
Weight: 305 lbs., 280 lbs., or 250 lbs.
Cab Width: 47-1/2 inches

The contents of this envelope are the property of the owner. Leave with the owner when installation is complete.


TABLE OF CONTENTS

WARNINGS, TIPS, & REQUIRED TOOLS.....	3
CAB INSTALLATION.....	4-20
CAB FEATURES & OPERATION.....	21
CARE AND MAINTENANCE.....	22
SERVICE PARTS	23-26
OPTIONAL ACCESSORIES	27




WARNINGS, TIPS, & REQUIRED TOOLS

Curtis cabs feature an assembly of parts designed for your vehicle which require adjustment and alignment of components to accommodate vehicle variations and provide proper weather protection. For accurate installation, proper operation, and years of satisfaction, please read and understand the installation and owner's manual fully prior to installing the cab.

From all of us at Curtis, we thank you for choosing our product.

 NOTICE
<p>Curtis Cabs, blades and general accessories add additional weight to the base vehicle. All Curtis accessory weights are listed in product brochures. Deduct the accessory's total weight from the vehicle's rated capacity and never exceed the vehicle's rated capacity including driver and passenger.</p>

<p>WARNING Exposure to Carbon Monoxide can Cause illness, serious injury or death. Never operate vehicle if suspicious of Carbon Monoxide. Inspect exhaust system for leaks monthly. Leaks can result from loose connections, corrosion, cracks or other damage to the exhaust manifold. If leaks are found, repair or replace exhaust system. Do not use vehicle until repair or replacement is complete.</p>

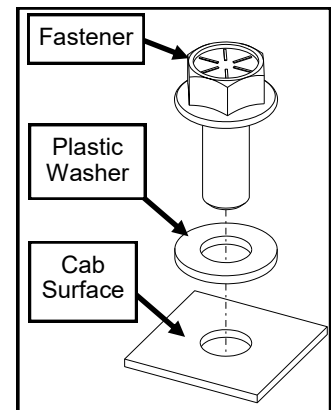
WARNING	
Serious Injury or Death	
	This cab enclosure does not provide protection from rollover or other accidents.
	This cab enclosure does not provide protection from flying objects including golf balls.
	This cab enclosure does not provide protection from lightning. When lightning threatens take cover and do not operate vehicle.

California Health and Safety Proposition 65 Warning: This product may contain chemicals known to the state of California to cause cancer and birth defects or other reproductive harm.

GENERAL INFORMATION BEFORE YOU START

HELPFUL HINTS:

- Refer to parts diagram found in the service parts section of this manual to help identify parts during the assembly process.
- To assist with the cab installation, leave all fasteners loose for later adjustment unless otherwise specified.
- Read and understand all instructions before beginning.
- Apply a silicone sealant to seal any minor gaps that may occur due to vehicle variations.
- Use caution to avoid damaging the factory installed threaded inserts or weld nuts. Begin the thread engagement by hand to avoid or correct potential cross threading.
- Make sure the areas where the supplied self-adhesive hook Velcro and seals will be applied are clean, dry and at room temperature for best adhesion.
- Before installing parts with factory installed rubber, make sure the rubber is fully installed onto the parts for proper fit and sealing.
- Plastic washers have been supplied to provide a weather seal under the heads of some exterior bolts. The plastic washer should be installed under each bolt head directly against the outside cab surface. Care should be taken not to over tighten the fasteners and damage the plastic washer.



TOOLS REQUIRED:

- | | |
|---|---|
| <ul style="list-style-type: none"> • Set of Standard and Metric Sockets (3/8" Drive) • 3/8" Drive Ratchet • Set of Standard and Metric Open-End Wrenches • Set of Standard Allen Wrenches • #2 and #3 Phillips Head Screwdrivers | <ul style="list-style-type: none"> • Drill/Driver • #2 and #3 Phillips Head Bit • Utility Knife • Pair of Scissors • Shears • Grease • Silicone Sealant • Teflon Tape • Tape Measure |
|---|---|

CAB INSTALLATION



Rear ballast on the tractor is required while this cab is in use. Install one set of rear wheel weights OR liquid ballast per the tractor operator manual.

STEP 1: (VEHICLE PREP)

- 1.1 Remove and save the air intake screen and thumbnut.
- 1.2 Disconnect the battery, negative first, and then positive.
- 1.3 Remove and discard the two carriage bolts and two orange stickers on the front of the floor board on either side of the radiator. See Figure 1.3.
- 1.4 Remove and discard the fir tree clip on the left side of the floor board as shown in Figure 1.3. Remove and discard the opposite fir tree clip on the right side as well.

NOTE: If a seal kit will be installed with this cab, do so now. Refer to the seal kit installation instructions.

- 1.5 Remove the two grab handles. See Figure 1.5. The consoles on either side may need to be loosened to get the grab handles out without damage. Tighten any hardware that was loosened. Save the grab handles and nuts that secured them to give to the tractor/cab owner.
- 1.6 If equipped, lift the SMV sign from its holder and save.

TIP: The cab can be installed with the ROPS up, but folding it for certain steps may make the installation easier.

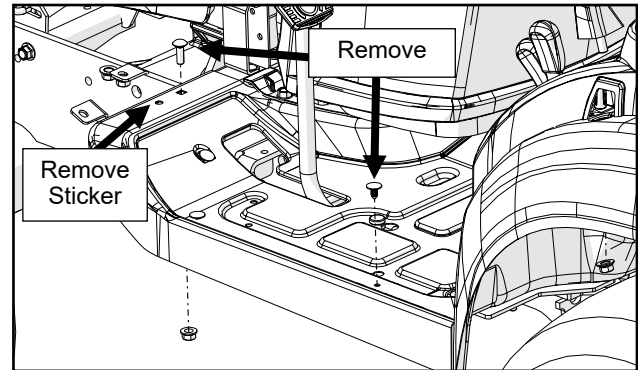


Fig. 1.3 (Remove Carriage Bolts and Fir Tree Clips)

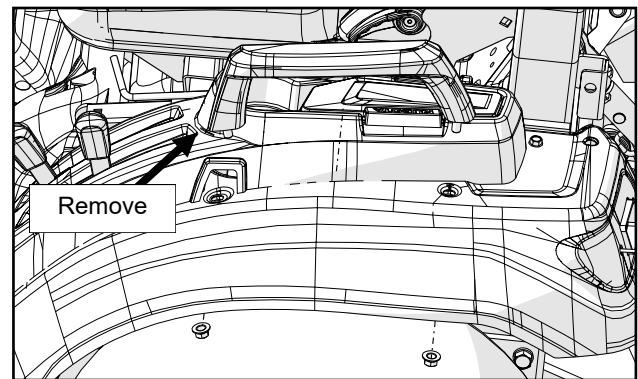


Fig. 1.5 (Remove Grab Handle)

CAB INSTALLATION

STEP 2: (ROPS BRACKETS)

- 2.1 Install the left ROPS Bracket onto the outside of the ROPS through the holes shown. See Figure 2.1. Leave just loose enough for adjustment.

<u>Hardware Used</u>	<u>Qty</u>
3/8-16 X 2.25 Hex Head Screw	2
3/8-16 Hex Nut	2

Tools required
9/16" wrench and socket

- 2.2 Repeat step 2.1 for the opposite side ROPS.

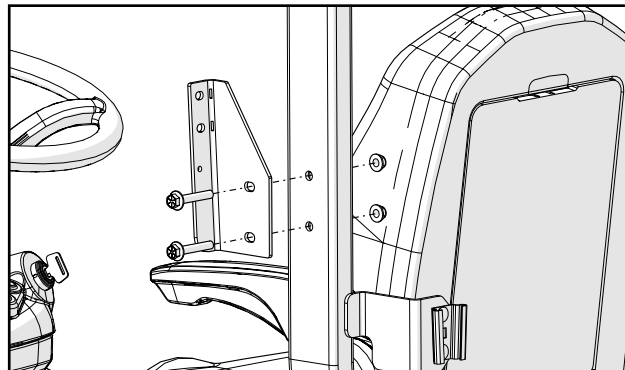


Fig. 2.1 (Assemble Brackets to ROPS)

STEP 3: (A-PILLARS)

- 3.1 Apply arch PSA rubber to the left floor board. The rubber should be about 2" from the front of the floor board on the angled edge, not the flat surface with the mounting holes. Ensure that the inside end of the rubber goes all the way to the edge of the floor board, stopping at the drainage hole. Continue to follow the angled surface around the side as shown. See Figure 3.1.

- 3.2 Pre-assemble an A-Pillar mounting bracket to the left A-pillar. See Figure 3.2.

<u>Hardware Used</u>	<u>Qty</u>
5/16-18 X 3/4 Hex Head Screw	2
5/16-18 Hex Nut	2

Tools required
1/2" wrench and socket

- 3.3 With assistance, set the left A-pillar onto the floor board and loosely bolt it down. See figure 3.3. Tighten the bolt snug enough to stabilize the A-Pillar, but the bolts will be fully tightened at a later step once the rest of the cab has been assembled.

<u>Hardware Used</u>	<u>Qty</u>
5/16-18 X 3/4 Hex Head Screw	2
5/16-18 Hex Nut	2
1/4-20 X 3/4 Button Head Screw	1
1/4-20 Hex Nut	1

Tools required
1/2" wrench and socket
7/16" wrench or socket
5/32" Allen wrench

- 3.4 Repeat steps 3.1 - 3.3 with the right A-pillar.

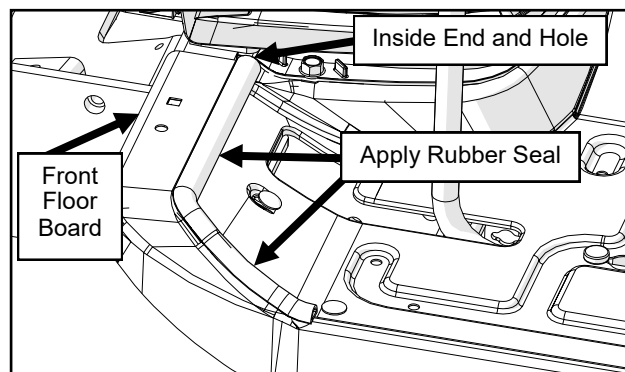


Fig. 3.1 (Apply Rubber to Floor Board)

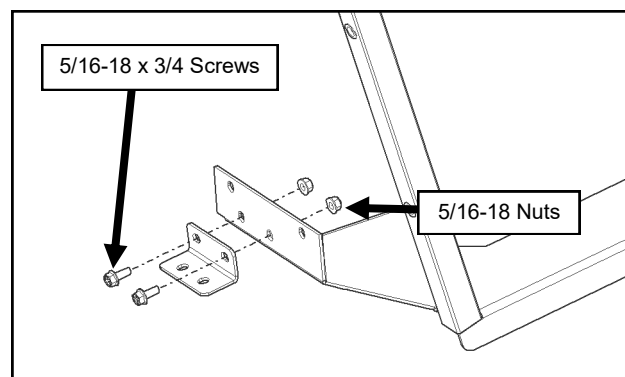


Fig. 3.2 (Pre-Assemble Bracket to A-Pillar)

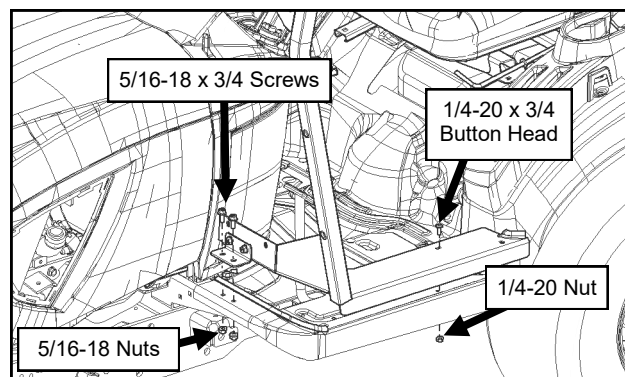


Fig. 3.3 (Assemble A-Pillar to Floor Board)

CAB INSTALLATION

STEP 4: (CONTOUR ASSEMBLY)

- 4.1 Assemble the left contour assembly to the left A-Pillar floor board and front hole for the grab handle. See figure 4.1. Use a provided 1/4" thick spacer under the tab for the grab handle hole. Leave just loose enough for adjustment. Use a second bolt and nut to fill the rear grab handle hole and tighten.

<u>Hardware Used</u>	<u>Qty</u>
3/8-16 X 1.25 Hex Head Screw	2
3/8-16 Hex Nut	2

Tools required
9/16" wrench and socket

- 4.2 Repeat step 4.1 for the opposite side.

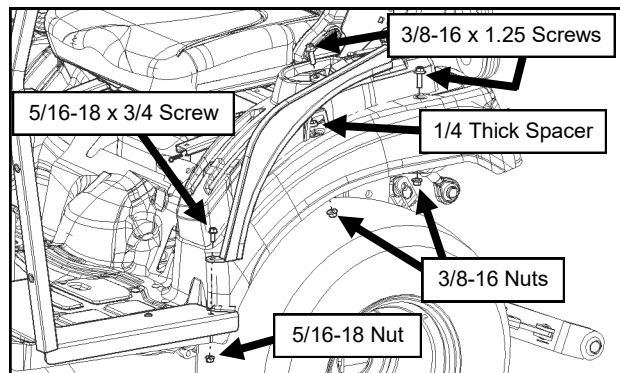


Fig. 4.1 (Contour Assembly)

STEP 5: (REAR LEG PRE-ASSEMBLY)

- 5.1 Away from the tractor, assemble the left Rear Light Mount onto the left Rear Leg Assembly. See Figure 5.1. Center the Mount in the slots as much as possible and tighten the hardware.

<u>Hardware Used</u>	<u>Qty</u>
5/16-18 X 3/4 Hex Head Screw	4
5/16-18 Hex Nut	4

Tools required
1/2" wrench and socket

- 5.2 Repeat step 5.1 with the right-side Rear Light Mount and Rear Leg.

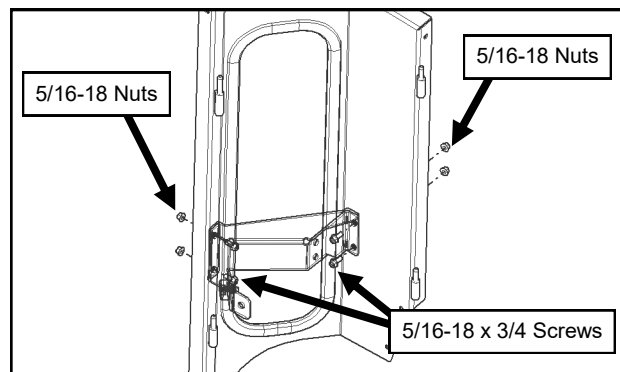


Fig. 5.1 (Pre-Assemble Rear Light Mount to Rear Leg)
(Light Mount Bracket Transparent for Clarity)

STEP 6: (REAR LEG ASSEMBLIES)

- 6.1 With assistance, hold the left rear leg assembly in place above the tractor's left rear fender and install a 5/16-18 x 3/4 bolt into the contour. The leg can then be secured to the ROPS bracket. Leave just loose enough for adjustment. See Fig. 6.1.

<u>Hardware Used</u>	<u>Qty</u>
5/16-18 X 3/4 Hex Head Screw	3
5/16-18 Hex Nut	2

Tools required
1/2" wrench and socket

- 6.2 Repeat step 6.1 for the right side rear leg assembly.

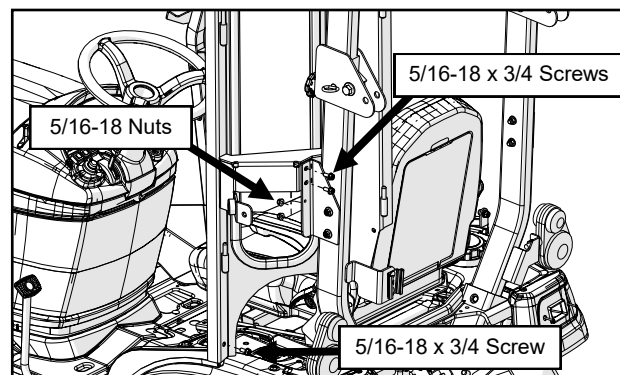


Fig. 6.1 (Install Rear Leg Assembly)

STEP 7: (COWL)

- 7.1 With assistance, slide the cowl over the top of the hood and engine side covers using **CAUTION** not to scratch the plastic components. Secure the cowl to the A-pillars with hardware listed below. See Figure 7.1.

<u>Hardware Used</u>	<u>Qty</u>
5/16-18 x 3/4" Hex Head Screw	10
5/16-18 Hex Nut	6

Tools Required
1/2" Wrenches and/or Sockets

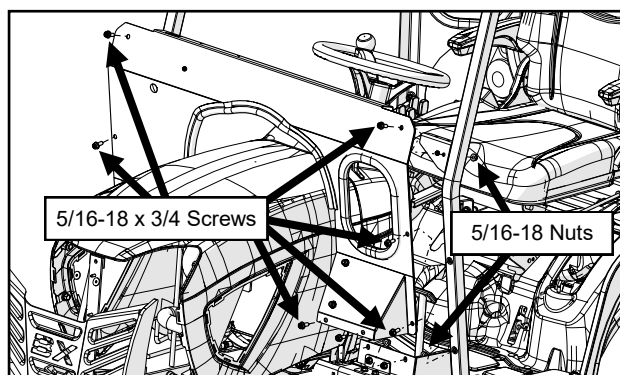


Fig. 7.1 (Install Cowl)

CAB INSTALLATION

STEP 8: (LOWER REAR PANEL)

- 8.1 With assistance, secure the lower rear panel to the inside of the rear legs. See Figure 8.1. Ensure the top flange of the lower rear panel is tight to both rear legs, and tighten hardware.

Hardware Used

5/16-18 x 3/4" Hex Head Screw	Qty 4
5/16-18 Hex Nut	4

Tools Required

1/2" Wrenches and/or Sockets

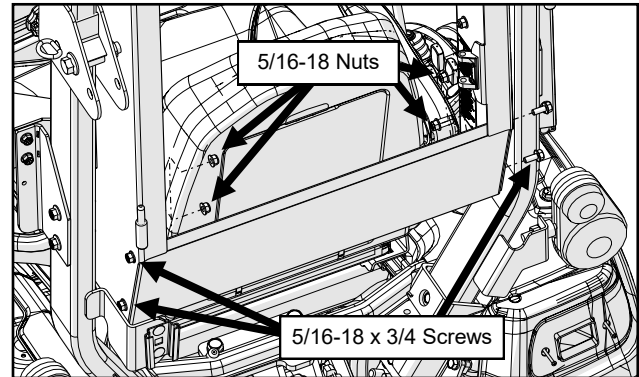


Fig. 8.1 (Install Lower Rear Panel)

STEP 9: (WINDSHIELD SUPPORT)

- 9.1 Install the Windshield Support to the A-pillars. See Figure 9.1.

Hardware Used

5/16-18 x 3/4" Hex Head Screw	Qty 2
-------------------------------	----------

Tools Required

1/2" Wrenches and/or Sockets

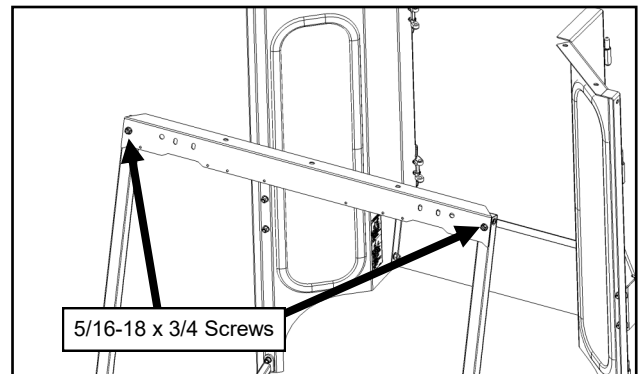


Fig. 9.1 (Install Windshield Support)

STEP 10: (DOOR HEADERS)

- 10.1 Install the left Door Header to the A-pillar and rear leg. See Figure 10.1.

Hardware Used

5/16-18 x 3/4" Hex Head Screw	Qty 2
5/16-18 Hex Nut	1

Tools Required

1/2" Wrenches and/or Sockets

- 10.2 Repeat step 10.1 with the right door header. See Figure 10.2.

- 10.3 Make sure the Windshield Support and Door Headers line up well and have the smallest possible gaps between them, then tighten the four (4) screws going into the A-pillars to 20 lb-ft. Leave the rest of the hardware loose at this point.

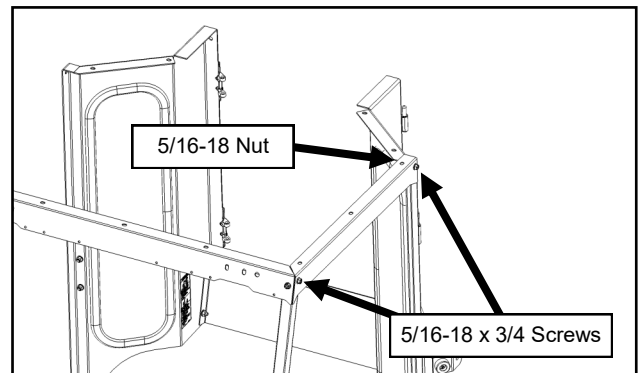


Fig. 10.1 (Install Left Door Header)

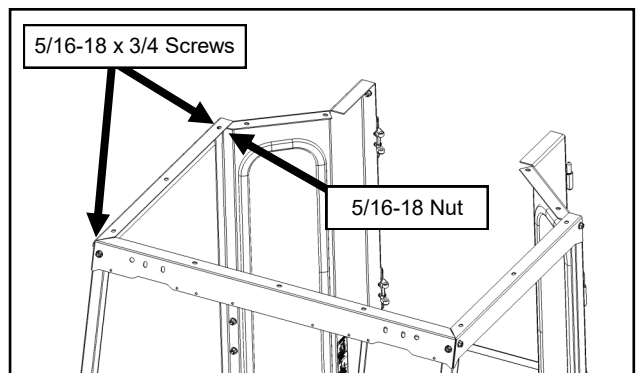


Fig. 10.2 (Install Right Door Header)

CAB INSTALLATION

STEP 11: (WINDSHIELD)

11.1 With assistance, set the windshield up to the A-pillars and secure it to the roof using the hinge spacers and hardware. See Fig. 11.1. Leave hardware loose.

Hardware Used	Qty
5/16-18 x 1.5" Flat Head Screw	4
5/16-18 Hex Nut	4

Tools required

#3 Phillips screw driver
1/2" wrench or socket.

11.2 Secure the windshield latches to the A-pillars with the latches open, and tighten latch hardware. See Fig. 11.2.

Hardware Used	Qty
1/4-20 x 5/8" Hex Head Screw	4
1/4-20 Hex Nut	4

Tools required

3/8" wrench/socket
7/16" wrench/socket

11.3 Close the windshield while lifting up on the bottom edge. Tighten hinge hardware. **Caution: The windshield hinges are plastic components. Do not overtighten the flat head screws. Torque to 7 ft.-lbs. max.**

11.4 Ensure the windshield latches function properly and the windshield pivots open.

11.5 Remove the over tightening caution decal from the top of the windshield.

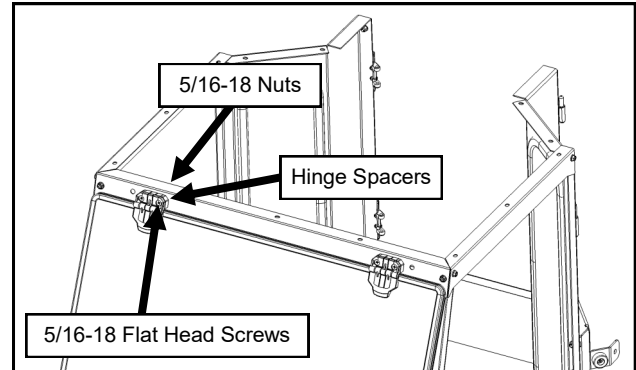


Fig. 11.1 (Attach Windshield)

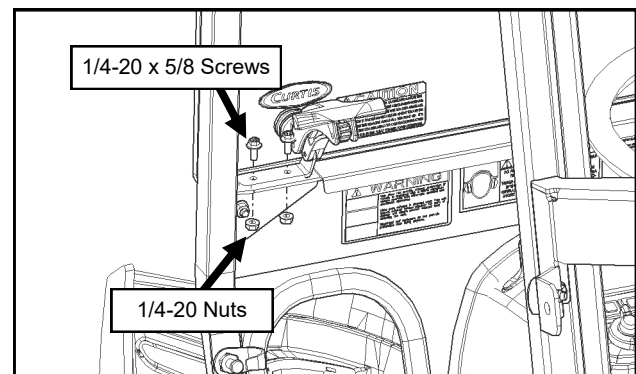


Fig. 11.2 (Secure Windshield Latches)

STEP 12: (ROOF)

12.1 Prep the roof for installation by piercing the headliner below the top mounting slots. Use a screwdriver to poke holes through the headliner from the headliner side up through the hole in the roof to avoid having the headliner pull away from its glued surface.

12.2 With assistance, set the roof on top of the Door Headers, Windshield Support, and Rear Legs. See Figure 12.2. Loosely secure with sealing washers on the thirteen (13) screws through the top of the roof, and no sealing washers on the two (2) screws through the back of the Rear Legs.

Hardware Used	Qty
5/16-18 x 3/4" Hex Head Screw	15
5/16" Sealing Washer	13
5/16-18 Hex Nut	15

Tools required

1/2" Wrenches and/or Sockets

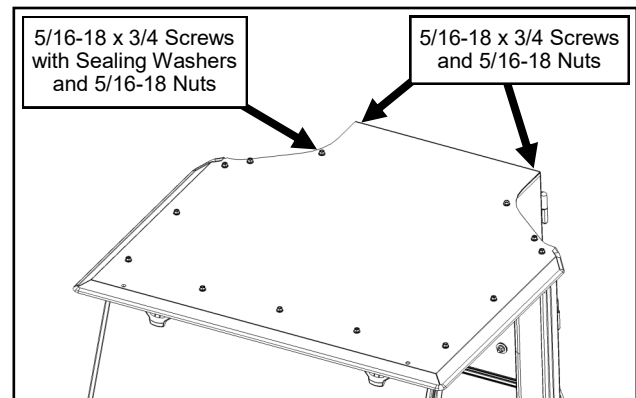


Fig. 12.2 (Install Roof)

STEP 13: (REAR WINDOW)

Glass Rear Window (for cabs with steel doors only)

13.1 Grease the hinge pins for the rear window, and slide on greased brass washers (one washer per pin). See Figure 13.1.

13.2 Hang the rear window on the hinges.

13.3 Connect the window latches to the right rear leg by depressing the tabs on the latch and inserting into the receivers mounted on the rear leg. Close and check the alignment of the window. If off, check measurements and re-align the rear legs. Tighten the hinge hardware to 7 ft.-Lbs. Verify smooth operation of the latches.

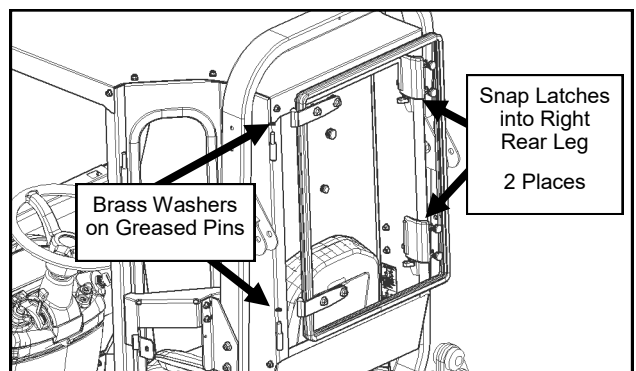


Fig. 13.1 (Hang Rear Window)

CAB INSTALLATION

STEP 14: (CAB ALIGNMENT)

- 14.1** Measure the distance from the striker bracket to the back face of the rear legs as shown in figure 14.1. Adjust the A-pillars, contours, rear legs, and ROPS brackets to get as close to 34-5/16" as possible. Tighten the hardware securing the A-pillars and the bottom of the contours to the A-pillars.
- 14.2** Adjust the bottom of the rear legs side to side to get the outer surfaces approximately centered on the vehicle and about 40-9/16" apart outside to outside. See figure 14.2.
- 14.3** Measure the distance between the outside of the rear flanges of the rear legs. Adjust the rear legs to get as close to 23" as possible at *both* the top and bottom of the flanges. See figure 14.2. Tighten the hardware securing the rear legs to the contours and ROPS brackets.

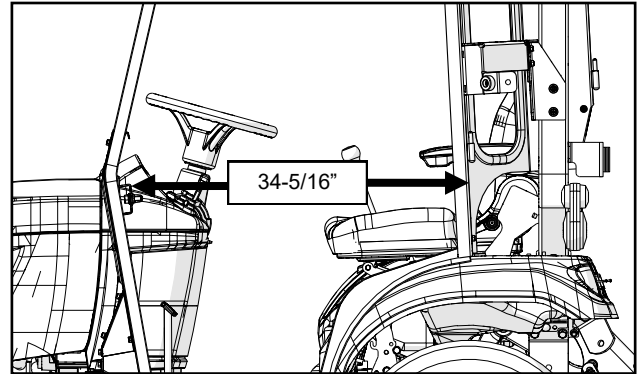


Fig. 14.1 (Measure A-Pillars to Rear Legs)

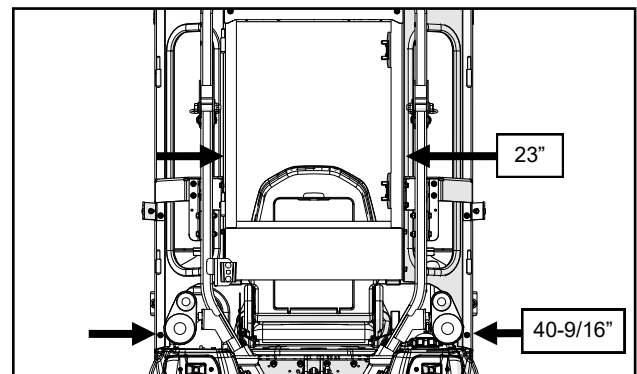


Fig. 14.2 (Measure Rear Legs Left to Right)

STEP 15: (TIGHTEN HARDWARE)

- 15.1** Tighten all hardware at this time, using the torque values given below. Verify alignment measurements after the cab is tight.

For 3/8" x 2.25" long bolts, use only 10 lb-ft.

For 5/16" bolts that use plastic washers, use only 12.5 lb-ft.

For 5/16" bolts that thread into factory installed threaded inserts in the A-Pillars, use 20 lb-ft.

For the remaining 5/16" bolts (the vast majority on the cab) that thread into hex nuts, use 28 lb-ft.

For all other bolt sizes (3/8", 1/4", etc.), no specific torque values are required. Tighten to a reasonable feel.

STEP 16: (WINDSHIELD WIPER MOTOR)

- 16.1** Mount the wiper motor to the windshield. See Figure 16.1. Make sure the wires are above the wiper motor shaft to prevent pinching when the windshield moves.

NOTE: Do not install the wiper arm and blade at this time. Once the motor has been wired, it can be turned on and off to ensure that the wiper arm will be parked correctly later.

- 16.2** Re-check the windshield pop-out function. The wiper motor should easily clear the cowl, but if not, loosen the windshield hinges and raise the windshield to gain clearance.

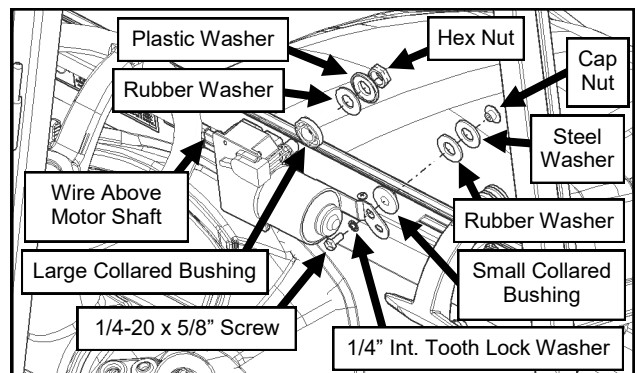


Fig. 16.1 (Windshield Wiper Motor)

STEP 17: (HEATER) (optional for cabs with vinyl curtain doors)

- 17.1** Attach the heater bracket to the right A-Pillar with 5/8" long spacers. See Figure 17.1. Tighten hardware.

Hardware Used

5/16-18 x 1-1/2" Hex Head Screw	Qty
	2

Tools required
1/2" wrench or socket

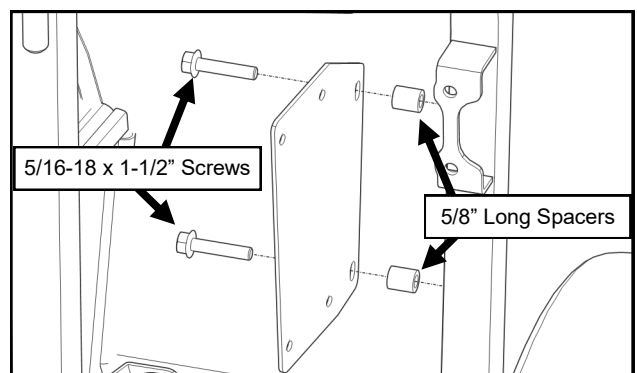


Fig. 17.1 (Install Heater Bracket to A-Pillar)

CAB INSTALLATION

STEP 17: (HEATER Continued)

17.2 Attach the heater to the heater bracket using the screws already installed on the side of the heater. See Figure 17.2. **Steel Doors or vinyl curtain doors:** Tighten hardware. **Vinyl hinged doors only:** Do not install the upper two screws into the heater. Leave the lower screws loose. See step 18.4 below.

STEP 18: (DOOR STRIKERS)

NOTE: The door striker plates are oriented differently, depending on the type of doors included. Cabs with vinyl curtain doors do not need door strikers installed.

(for steel doors only): Striker to OUTSIDE of cab
(for vinyl hinged doors): Striker to INSIDE of cab

18.1 Install the striker plate to the left A-pillar mounting bracket with the large slot to the outside for the steel doors (see Figure 18.1A) or to the inside for vinyl doors (see Figure 18.1B).

<u>Hardware Used</u>	<u>Qty</u>
5/16-18 x 3/4" Hex Head Screw	2
5/16-18 Hex Nut	2

Tools Required
 1/2" Wrenches and/or Sockets

18.2 Install the striker parts oriented as shown in Figure 18.1A or 18.1B. Note the finger guard should always be oriented toward the inside of the cab.

Tools Required
 3/4" Wrenches

18.3 **Steel doors only:** Repeat steps 18.1 and 18.2 for the right side.

18.4 **Vinyl hinged doors only:** Per Figure 18.4, place the bent Striker Bracket against the right side A-pillar striker mount and heater bracket. Secure the striker bracket to the A-pillar mount with 5/16 x 3/4" bolts and nuts. Install the striker hardware, note the use of a second washer in place of a finger guard. Secure the bracket to the heater bracket and into the heater with the upper heater bolts from step 17.2.

<u>Hardware Used</u>	<u>Qty</u>
5/16-18 x 3/4" Hex Head Screw	2
5/16-18 Hex Nut	2

Tools Required
 1/2" Wrenches and/or Sockets
 3/4" Wrenches

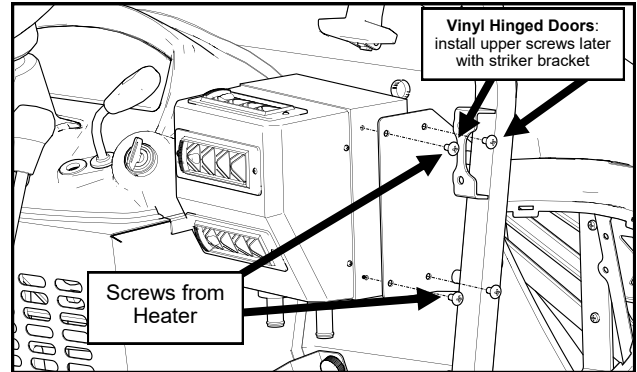


Fig. 17.2 (Install Heater)

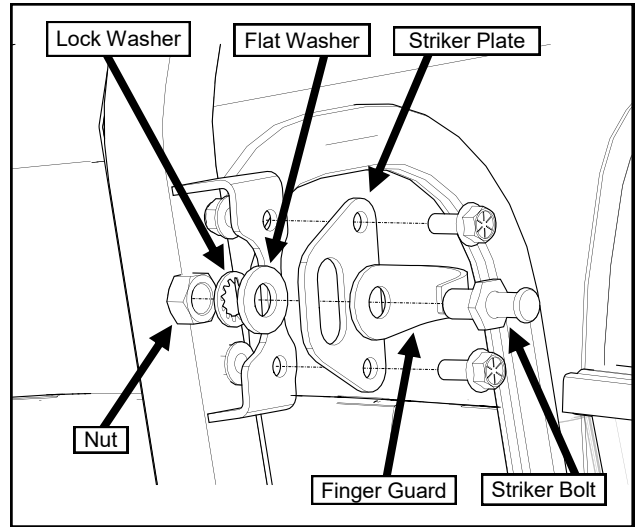


Fig. 18.1A (Door Striker OUTSIDE for steel doors)

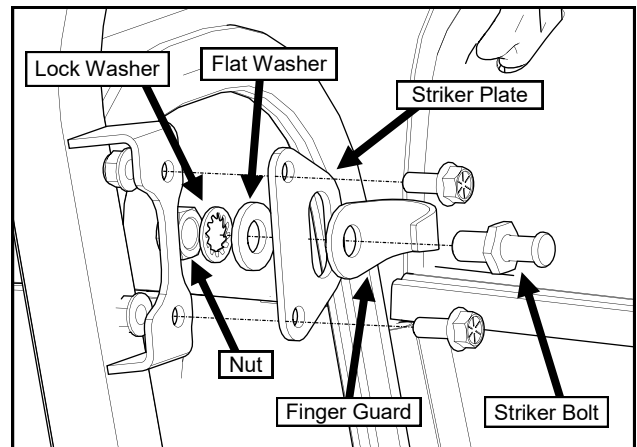


Fig. 18.1B (Door Striker INSIDE for vinyl hinged doors)

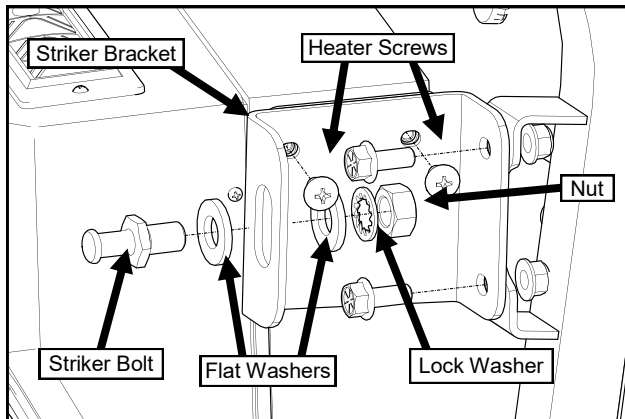


Fig. 18.4 (Vinyl hinged doors only: Striker Bracket on right side)

CAB INSTALLATION

STEP 19: (CAB WIRING)

- 19.1** Route the power wire harness behind the heater bracket along the right A-pillar and connect the harness to the wiper motor.
- 19.2 (Optional on cabs with vinyl curtain doors)** Push the switch connector up through the rectangular hole in the cowl, connect to the switch and snap in the heater switch. The "off" position for this switch is in the middle, with low speed one way and high speed the other way. The switch may be installed in either direction, and can be removed and rotated 180° later if desired.
- 19.3** Open the windshield and secure the wiring harness to the cowl using cable clamps. Verify the wiper harness routing allows the windshield to be opened and closed without the harness getting pinched under the windshield. See Figure 19.3.

<u>Hardware Used</u>	<u>Qty</u>
#10-32 x 1/2" Pan Head Screw	2
#10-32 Hex Nut	2

Tools required

#2 Phillips Screw Driver
3/8" Wrench or Socket.

- 19.4 (Optional on cabs with vinyl curtain doors)** Connect the heater bullet connectors to the wiring harness, matching wire colors. Cover the exposed wires with 1/2" split loom provided.
- 19.5** Loop the power wire harness behind the heater to remove slack and secure with a wire tie.
- 19.6** Slide the provided 3/8" ID rubber grommet over the free end of the wire harness and install through the 1/2" hole in the cowl. See Figure 19.6.
- 19.7** Secure the wire harness to the outside of the cowl with a cable clamp. See Figure 19.7.

<u>Hardware Used</u>	<u>Qty</u>
#10-32 x 1/2" Pan Head Screw	1
#10-32 Hex Nut	1

Tools required

#2 Phillips Screw Driver
3/8" Wrench or Socket.

- 19.8** Run the rest of the power harness into the engine bay and toward the starter. Be mindful and avoid pinch points and hot surfaces.
- 19.9** Locate the fuse harness (WH-GF). Make certain the fuse is installed in the fuse holder, unbolt the main power cable attached to the starter and re-secure with the ring terminal on the fuse harness. See Figure 19.9.
- 19.10** Unbolt the ground wire on the starter bracket and re-secure with the ground terminal on. See Figure 19.9.
- 19.11** Connect the bullet terminals of the power harness and the fuse wiring harness. Coil the slack in the power harness and secure with a wire tie. See Figure 18.9. Double check that the wires are not pinched or near sharp or hot surfaces.

NOTE: At the installer's discretion, wiring for accessories may also be installed into the engine compartment at this time.

- 19.12** Secure wires (with wire ties provided) away from any hot or moving engine components where it could melt or be pinched.

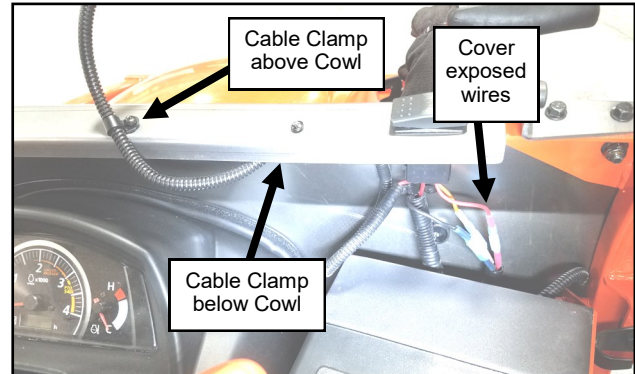


Fig. 19.3 (Secure Wires to Cowl)

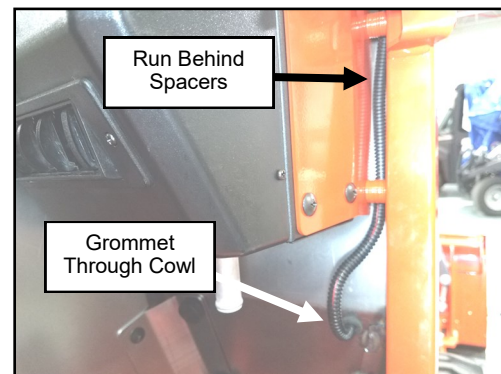


Fig. 19.6 (Pass Wire Harness Through Cowl)

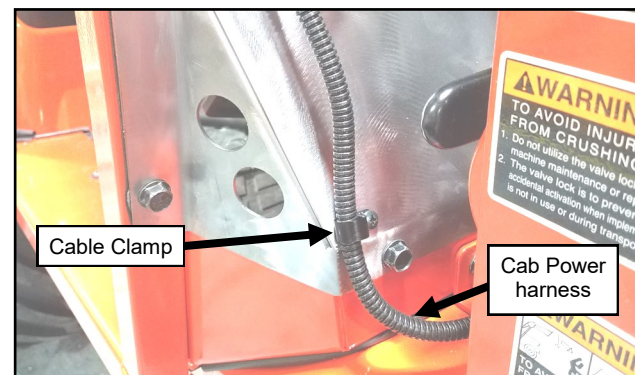


Fig. 19.7 (Secure Harness with Cable Clamp)

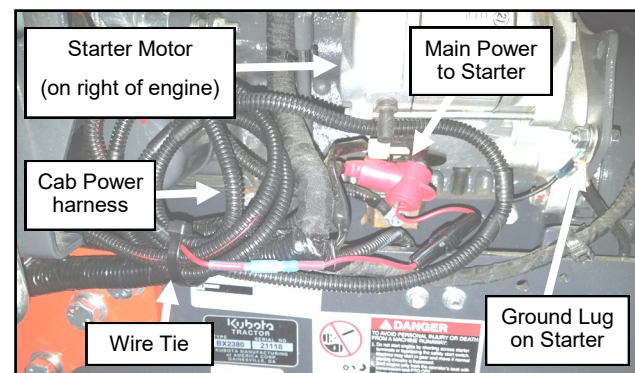


Fig. 19.9 (Connect Harnesses to Starter)

CAB INSTALLATION

STEP 20: (HEATER PLUMBING) (OPTIONAL ON CABS WITH VINYL CURTAIN DOORS)

* **CAUTION** * To avoid injury caused by hot engine coolant, make sure the engine is completely cooled down before beginning plumbing of auxiliary heater.

- 20.1 Drain the engine coolant into a clean container so that it may be reused.
- 20.2 From outside the cab, install both 3/4" snap bushings into the large holes in the right A-pillar floor board. Feed both ends of the 5/8" diameter hose through the bushings to the inside of the cab, connect them to the nipples on the heater, and secure them with 1" hose clamps. See Figure 20.2.
- 20.3 Make sure the heater hose is not too tight or kinked before going through the snap rings, and cut both ends of hose about 1" beyond the snap rings on the outside. Connect the 90° heater hose elbows and secure with 1" hose clamps. Attach 6" of Trim Lok to the bottom edge of the vehicle floor board. See Figure 20.3.
- 20.4 Locate the lower coolant hose on the right side of the engine. See Figure 20.4. Cut the lower hose between the two 90° bends as shown and let any remaining coolant drain into a clean drain pan.
- 20.5 Place the two 1.5" hose clamps on either side of the cut lower hose and install the T-Fitting pointing down. See Figure 20.5. Tighten the hose clamps.
- 20.6 Unbolt the thermostat housing and remove the thermostat and gasket. See Figure 20.6. Save the thermostat for re-installation, but discard the gasket and bolts.

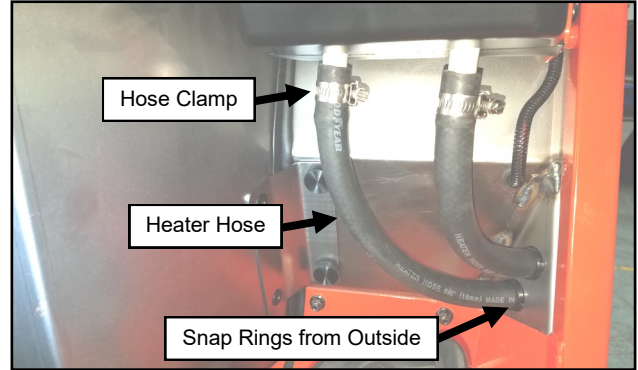


Fig. 20.2 (Snap Rings and Heater Hose)

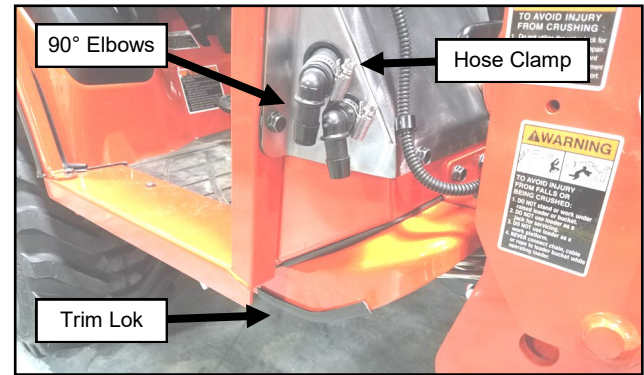


Fig. 20.3 (90° Heater Hose Elbow and Trim Lok)

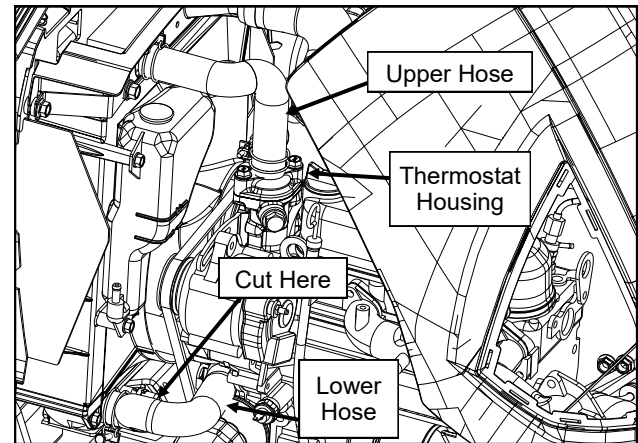


Figure 20.4 (Right Side of Engine Bay)

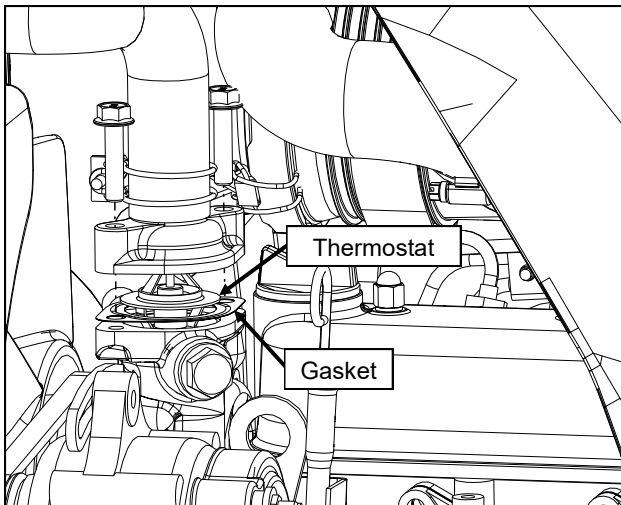


Figure 20.6 (Remove Thermostat)

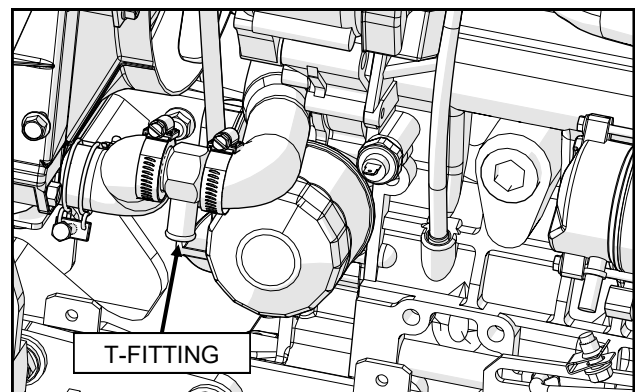


Figure 20.5 (Install T-Fitting in Lower Hose)

CAB INSTALLATION

STEP 20: (HEATER PLUMBING CONTINUED)

- 20.7** Pre-install the 3/8" NPT Nipple into the thermostat spacer using Teflon tape. Install the thermostat spacer onto the engine using a new gasket provided, followed by the thermostat, another new gasket, and the thermostat housing with new longer bolts. Ensure that the nipple is pointing towards the front left of the vehicle. See Figure 20.7.
- 20.8** Connect 5/8" hose to the 3/8" NPT Nipple on the thermostat spacer and secure it with 1" hose clamp. Run the hose around the front of the engine, down past the alternator, and between the right floor board and front loader frame. See Figure 20.8. Roughly run the end of the hose to the 90° elbows and cut the rest of the hose off.
- 20.9** Connect the 5/8" hose to the T-Fitting and secure it with a 1" hose clamp. Run the hose along next to the previously run hose in step 20.8.
- 20.10** Pre-install the mesh sleeve onto the two hoses and then trim the hoses to length and connect them to the 90° elbows, securing them with 1" hose clamps. See Figure 20.10.
- 20.11** Slide the mesh sleeve over the fittings and secure it with a cable tie. See Figure 20.11.
- 20.12** Check hose and wire routing to make sure no hoses or wires are kinked, pinched, or are rubbing against any sharp edges. Also make sure the hoses and wires will not interfere with hood when closing, any moving parts, pedals on the tractor, or contact hot engine components. Secure hoses as necessary with large wire ties provided.
- 20.13** Splice into the heater supply line above the exhaust manifold and install the in-line shut-off valve using 1" hose clamps.
- NOTE:** The in-line shut-off valve quickly converts the heater into a summer time blower by preventing hot water from flowing to the heater core.

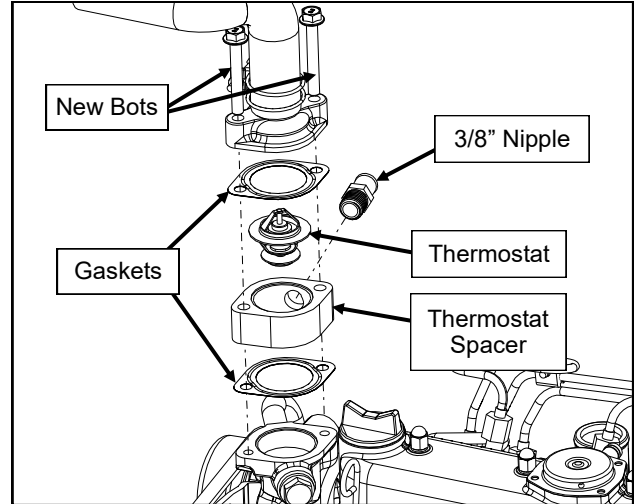


Figure 20.7 (Install Thermostat Spacer)
(View from Right Side)



Figure 20.8 (Run Hose Around Engine)
(View from Right Side)



Figure 20.11 (Cover Hoses and Fittings with Mesh)



Figure 20.10 (Connect Hoses to 90° Elbows)

CAB INSTALLATION

STEP 21: (FINISH WIRING)

21.1 Re-connect the battery.

(Remaining paragraphs in step 21 **Optional on cabs with vinyl curtain doors**)

21.2 Refill the cooling system. Start the tractor and inspect coolant system for leaks.

21.3 With the tractor running, check the heater hoses and make sure they get warm. If not, remove the heater from its mount and let hang from the hoses as low as possible. If the heater and hoses still do not get warm, temporarily put a clamp on the upper radiator hose to force coolant through the heater. **Warning:** To avoid engine damage, remove the clamp as soon as heater gets warm. Reattach heater to the bracket. Once complete, let the engine cool, check the coolant level, and top off coolant if required.

STEP 22: (FINISH WIPER)

22.1 Turn on the wiper motor briefly, then turn back off. This will make sure the motor shaft is in the correct parked position.

22.2 Pre-assemble the wiper arm and wiper blade.

22.3 Install the wiper arm onto the wiper motor so that the wiper is horizontal. See Figure 22.3. Tighten the Allen Screws.

Tools required

2.5mm Allen Wrench

22.4 Adjust the length of the wiper arm as long as possible while still clearing the outer cap nut for the windshield latches. Turn on the wiper to check proper operation.

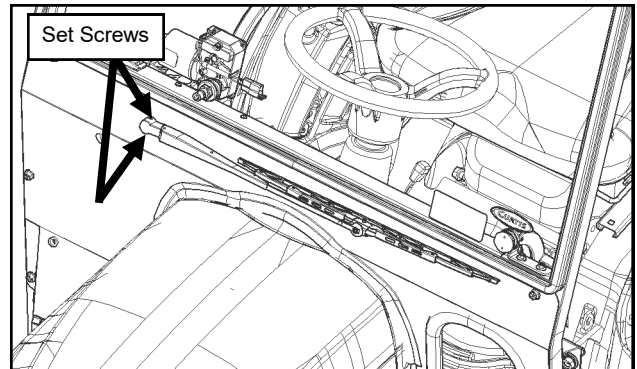


Fig. 22.3 (Wiper Arm and Blade)

CAB INSTALLATION

STEP 23: (UNDER SEAT FILLER)

- 23.1** Pre-install the supplied Velcro to the under seat filler. Leave the release tape on until the filler is in place.
- 23.2** Tip the seat forward and set the filler in place. See Figure 23.2. The part of the filler that is under the seat is symmetrical and can be centered on the vehicle. Do not cover the information decals under the seat.
- 23.3** The back of the filler goes across the bottom of the lower rear panel. See Figure 23.3. There are slight corners on the filler that correspond to the corners of the lower rear panel. Adhere the filler to the lower rear panel at this point.
- 23.4** Adhere the front of the filler to the inside of the fenders and the top of the fuel tank, keeping it centered as you go.
- 23.5** The left side of the filler runs across the bottom of the left rear leg and down towards the fender contour at the front. The bottom part of this section of filler runs along the outside of the cubby on its way towards the back. Try to make smooth transitions between fender and cubby with the adhesive Velcro. See Figures 23.5a and 23.5b.



Fig. 23.2 (Install Under Seat Filler)



Fig. 23.3 (Install Under Seat Filler)



Fig. 23.5a (Install Under Seat Filler)



Fig. 23.5b (Install Under Seat Filler)

CAB INSTALLATION

STEP 23: (UNDER SEAT FILLER CONTINUED)

23.6 The right side of the filler runs across the bottom of the right rear leg and down towards the fender contour at the front. The bottom part of this section gets flipped backward and runs across the fender in front of the fuel filler and down the fender. See Figures 23.6a through 23.6c. Try to make smooth transitions between the rear leg and fender as the Velcro is applied. Ensure that there is adequate clearance to access the fuel filler from the outside of the vehicle.



Fig. 23.6a (Install Under Seat Filler)

STEP 24: (RADIATOR INTAKE SHROUD)

24.1 Re-install the OEM Radiator Intake Screen.

24.2 Install the Radiator Intake Shroud. See Figure 24.2.

Hardware Used	Qty
5/16-18 Thumb Screw	4

24.3 Pre-attach the supplied Velcro to the vinyl radiator shroud cover. Leave the release tape on until the cover is in place.

24.4 Place the cover over the radiator shroud and center it left and right and up and down to cover the slots. See fig. 24.2.

24.5 Remove the release tape a little at a time and stick the filler down as you work your way around.



Fig. 23.6b (Install Under Seat Filler)

STEP 25: (VINYL REAR CURTAIN)

(Vinyl hinged doors or vinyl curtains only)

25.1 Pre-install the supplied Velcro hook to the sewn-in Velcro loop on all sides of the upper rear curtain. Leave the release tape on until the filler is in place. Pull the lower flap of the rear curtain to the outside of the cab and remove any gaps in the lower corners.

25.2 Align the top of the curtain to the top inside rear corner of the roof, and the sides to the inside corners of the rear legs. Remove the release tape a little at a time and stick the filler down as you work your way around.

NOTE: The vinyl will stretch around the flanges and latch mounts inside the rear of the cab. Make sure the Velcro is attached firmly to the inside surfaces of the cab.



Fig. 23.6c (Install Under Seat Filler)

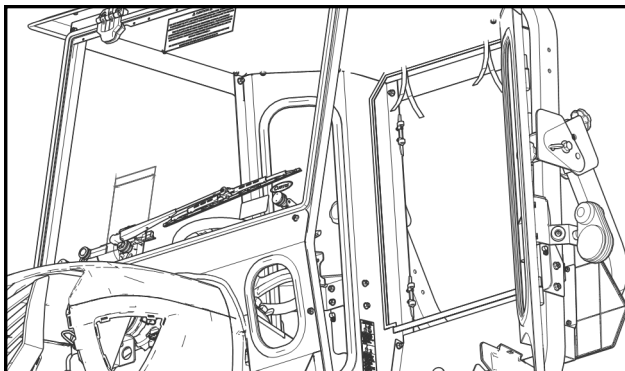


Fig. 25.1 (Vinyl Rear Window)

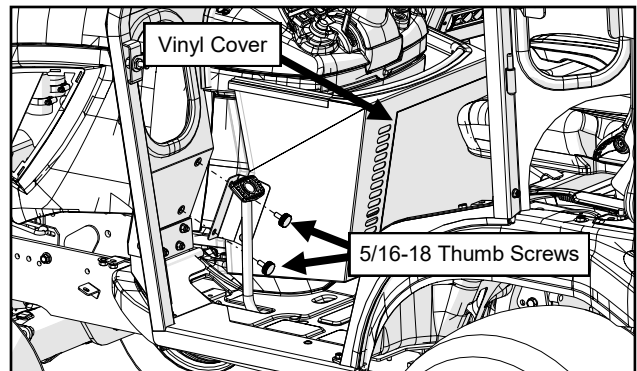


Fig. 24.2 (Install Radiator Intake Shroud)

CAB INSTALLATION

STEP 26: (STEEL DOORS ONLY)

- 26.1** Install the supplied brass washers onto the hinge pins on the left side and then apply grease to the pins.
- 26.2** Loosen the door hinge bracket to allow for adjustment later. Hang the left door on the hinges. While lifting up and forward on the door handle, line up the door latch with the striker pin and carefully attempt to latch. You should be able to hear 2 clicks as you slowly engage the latch on the pin. If the latch is too far forward or back to latch on the pin, adjust as shown. Then retighten and latch.
- 26.3** Stand back and examine the alignment of the door with the roof and the A-pillar. You can adjust this by moving the striker pin up or down as shown to help with alignment. *TIP: In the final step, the front of the door will drop a small amount the first time you open it. Set the front of the door a little bit higher so it aligns properly.* Adjust as necessary until you are happy with the alignment. Have an assistant sit inside the cab and once more carefully close the door like you did in step 23.2. Work with the assistant and tighten the hinge bracket bolts.
- 26.4** Open the door and check for smooth operation of the latch. As noted in step 26.3, the door will likely drop a little bit at the front and the striker pin will need to be adjusted down accordingly. Also make sure the door seal is making contact along the perimeter of the door and the latch clicks twice when closing. If necessary adjust the striker in or out to achieve this (see Figure 26.3).
- 26.5** Repeat steps 26.1 through 26.5 for the right door.

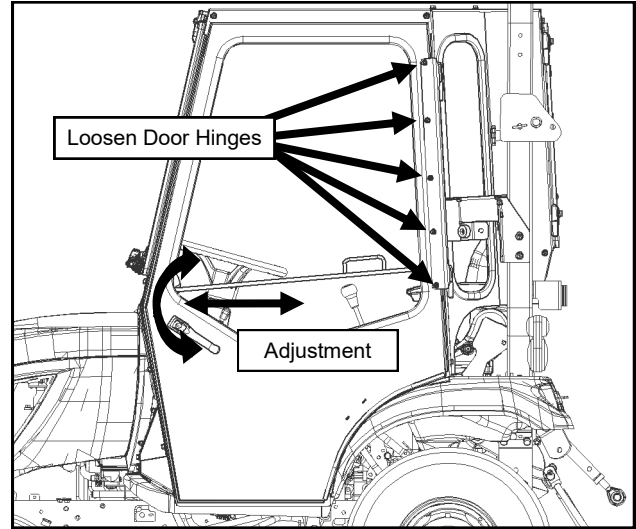


Fig. 26.2a (Door Hinge Adjustment)

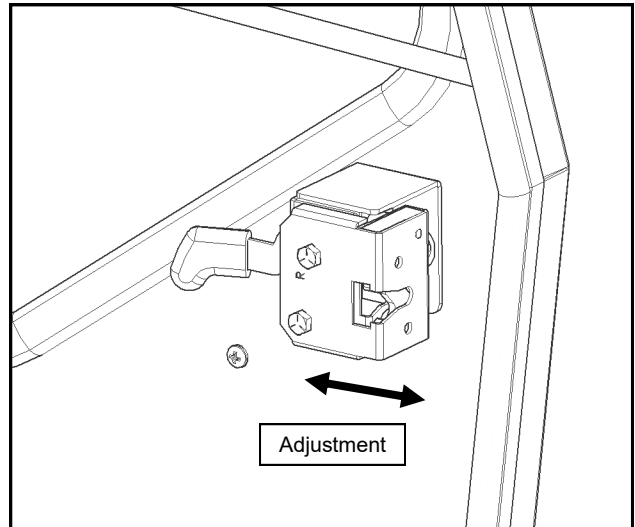


Fig. 26.2b (Door Latch Adjustment)

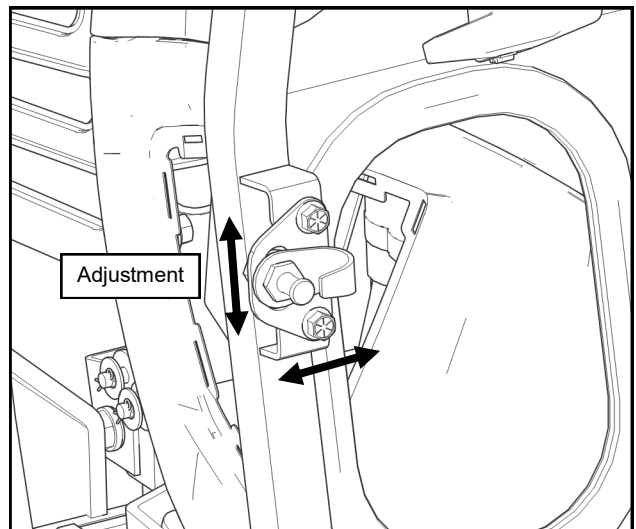


Fig. 26.3 (Striker Pin Adjustment)

CAB INSTALLATION

STEP 27: (VINYL HINGED DOORS ONLY)

- 27.1 Install the supplied brass washers onto the hinge pins on the left side and then apply grease to the pins.
- 27.2 Loosen the door hinges to allow for adjustment later. Hang the left door on the hinges. While lifting up and forward on the door handle, line up the door latch with the striker pin and carefully attempt to latch. You should be able to hear 2 clicks as you slowly engage the latch on the pin. If the latch is too far forward or back to latch on the pin, adjust as shown. Then retighten and latch.
- 27.3 Stand back and examine the alignment of the door with the roof and the A-pillar. You can adjust this by moving the striker pin up or down as shown to help with alignment. *TIP: In the final step, the front of the door will drop a small amount the first time you open it. Set the front of the door a little bit higher so it aligns properly.* Adjust as necessary until you are happy with the alignment. Have an assistant sit inside the cab and once more carefully close the door like you did in step 27.2. Work with the assistant and tighten the hinge bolts.
- 27.4 Open the door and check for smooth operation of the latch. As noted in step 27.3, the door will likely drop a little bit at the front and the striker pin will need to be adjusted down accordingly. Also make sure the door seal is making contact along the perimeter of the door and the latch clicks twice when closing. If necessary adjust the striker in or out to achieve this (see Figure 27.3).
- 27.5 Due to vehicle and cab manufacturing tolerances, the door frames may need to be hand bent to improve the seal.

To adjust the bottom of the door, hold the door at the latch with the door open and have an assistant hold the top of the door. Pull inward on the bottom corner of the door, then close the door and check the seal.

To adjust the top of the door, hold the door at the latch with the door open and pull inward on the top corner. It is not necessary to have an assistant hold the bottom.

Repeat as needed until the door is sealed around the entire perimeter.

- 27.6 Repeat steps 27.1 through 27.5 for the right door.

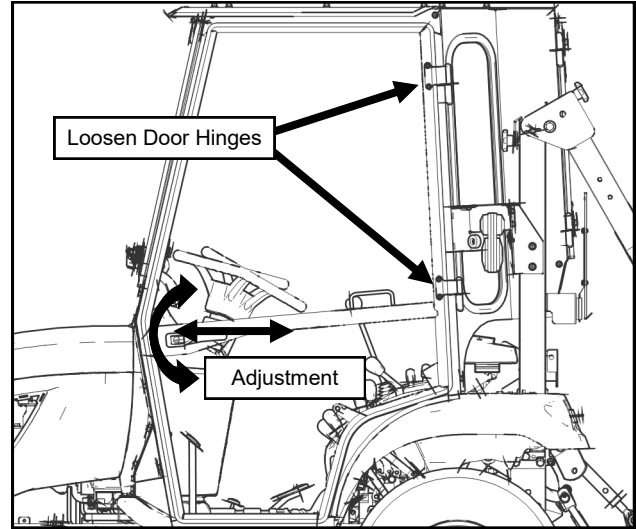


Fig. 27.2a (Door Hinge Adjustment)

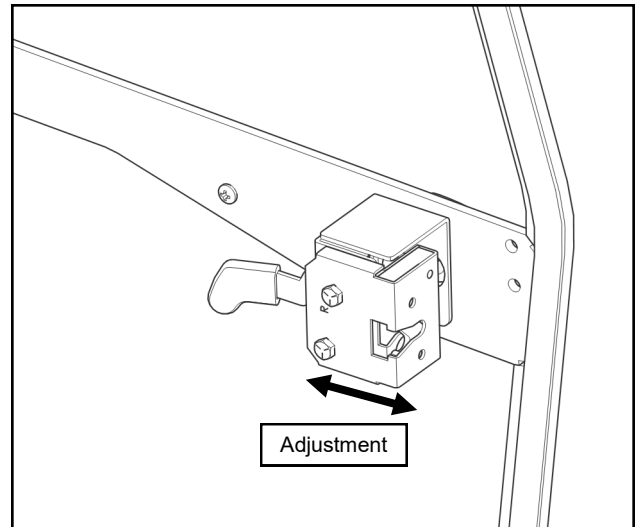


Fig. 27.2b (Door Latch Adjustment)

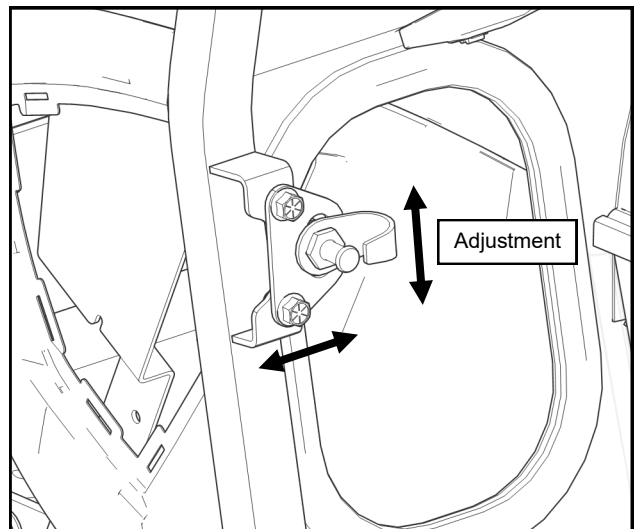


Fig. 27.3 (Striker Pin Adjustment)

CAB INSTALLATION

STEP 28: (VINYL CURTAIN DOORS ONLY)

28.1 Pre-install the supplied Velcro on the left door curtain, to outside strips on the top and rear, and to inside strips at the front. Leave the release tape on until the curtain is in place.

IMPORTANT: Make certain the surfaces of the cab are clean and dry before adhering the Velcro.

28.2 Hold the door curtain to the inside faces of the cab at the top and rear of the door opening, with the inner edges of the Velcro aligned to the bottom edge of the door header, and the inner edge of the rear leg. Pull off the release tape from the top strip and adhere the Velcro to the side header, working from the upper rear corner forward.

28.3 Open the windshield latches to vent the windshield. Pull the curtain to the outside of the A-pillar tube with the inner Velcro strip centered on the tube, and the front flange of the curtain centered between the windshield support and cowl.

NOTE: The front bolt of the side header may need to be loosened to get the curtain between the header and the A-pillar tube.

28.4 Remove the release tape and adhere the inner strip of Velcro to the A-pillar tube, working down from the top.

28.5 Pull the front flap of the door curtain tight, remove the release tape and adhere the Velcro to the front face of the A-pillar tube, working down from the top.

28.6 Remove the release tape and adhere the rear strip of Velcro to the inside of the rear leg, pulling tight and working down from the top.

28.7 Repeat steps 28.1 through 28.6 for the right door.

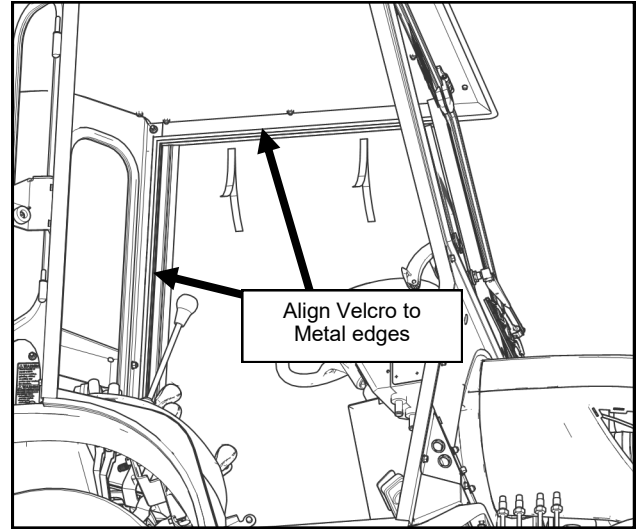


Fig. 28.2 (Align Door Curtain top and rear)

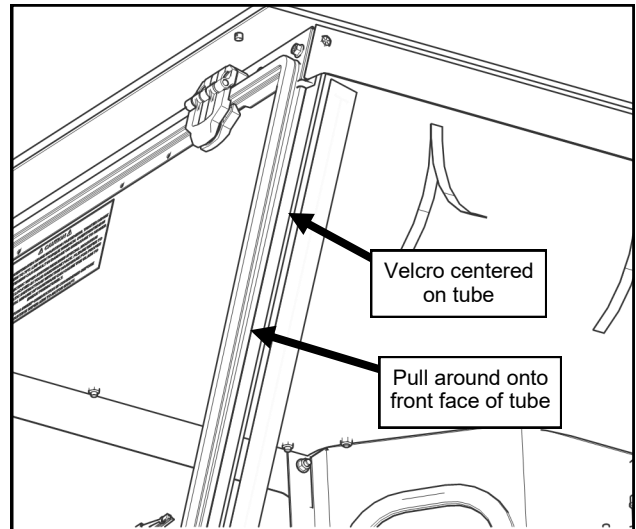


Fig. 28.3 (Align Door Curtain to A-pillar)

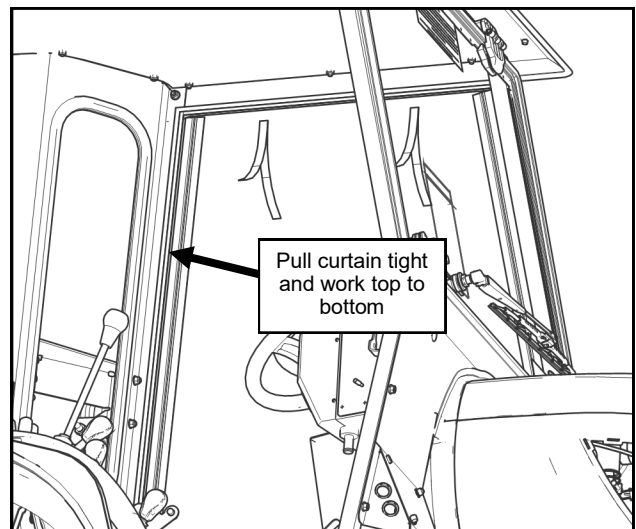


Fig. 28.6 (Adhere Door Curtain to Rear Leg)

CAB INSTALLATION

STEP 29: (ACCESSORIES/PLUGS)

29.1 If installing accessories, please do so now. If not, use the supplied plugs to fill any exposed holes. See Figure 29.1.

29.2 Optional Rear Wiper Note:

For easier wiper motor harness disconnection, cut the main wiring harness connector off a few inches from the end and create a jumper harness with it using bullet connectors. **Do not cut the connector off the wiper motor.**

Strip all the wires, crimp a male bullet connector onto the ground (black) wire of the main wire harness and a female bullet connector on the positive (red) wire.

Reverse the male and female bullet connectors on the new jumper wire harness so that the male bullet connector is on the positive (red) wire and the female bullet connector is on the ground (black) wire.

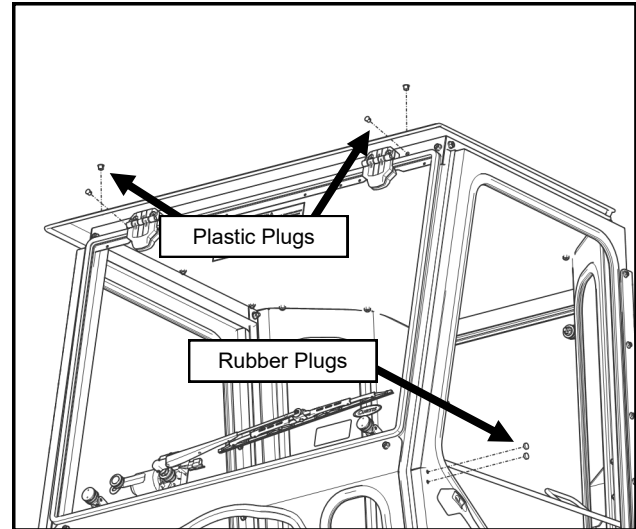


Fig. 29.1 (Install Plugs)

STEP 30: (REAR LIGHT RELOCATION)

NOTE: If the vehicle will be driven on the road, the rear lights must be relocated to be visible from the front, and the SMV sign must be re-installed

30.1 Trace the left rear light wires down through the hole in the fender and disconnect the bullet connectors.

30.2 Unbolt the left rear light from the vehicle and remove. Save the washer and nut.

30.3 Thread the light wires through the hole in the light mount bracket and re-install the washer and nut. See Figure 30.3. Make sure the light is not crooked and tighten the nut.

30.4 Connect a rear light extension harness to the left rear light bullet connectors. Run the harness under the rear light mount and secure it with a cable clamp. See Figure 30.3.

30.5 Run the extension wire between the ROPS and cab, and down through the same hole in the fender. Connect the extension bullet connectors to the vehicle harness, and secure any loose wires with cable ties.

30.6 Repeat steps 29.1 through 30.5 with the right side light.

30.7 Re-install the SMV sign.

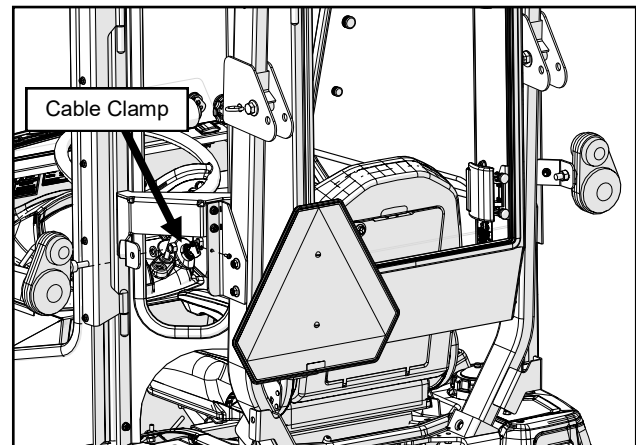


Fig. 30.3 (Relocate Rear Lights)

STEP 31: (FINISHING TOUCHES)

31.1 Due to the nature of the packaging materials used for shipping this product, the components of the cab system may have dust on their surfaces upon removal from the packaging. It is recommended that after completion of the cab installation, the cab and vehicle are washed thoroughly to eliminate any dust or contaminants. See the Care and Maintenance section at the back of this manual for critical information on cleaning the cab.

NOTE: This cab may use a common hardware kit and therefore may have extra hardware. Discard additional hardware.

CAB FEATURES & OPERATION

POP-OUT WINDSHIELD

Your BX80 cab comes equipped with a pop-out windshield for ventilation. To open the windshield, simply lift up on both of the pop-out latches and rotate until the latches rest in the over-center position.

LIFT-OFF DOORS

For added ventilation, the doors on the BX80 cab lift off in seconds without tools.

To lift off:

1) Rotate the doors 45° to the cab and lift. Also, remove the hinge washers and store in a plastic bag.

Store the doors in a safe location to prevent damage.

REMOVABLE REAR WINDOW

The rear window can also be removed for added ventilation.

To remove the rear window:

1. Open both window latches and disconnect from right rear leg with tabs on latch. Open the window taking care not to let the window open into the ROPS or damage may occur.
2. From outside of the cab, lift up on the rear window and slide off the hinges. Remove the hinge washers and store in a plastic bag.

Store the rear window in a safe location to prevent damage.

To reinstall the rear window, reinstall the hinge washers, align the hinges with the pins and drop into place. Re-attach the latches to the rear leg.

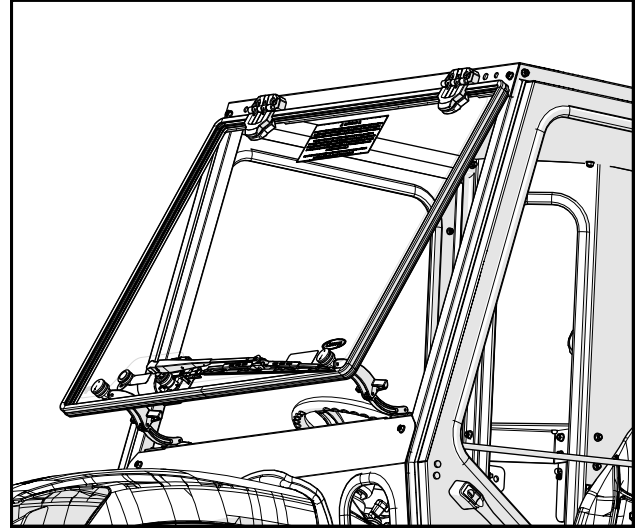
VINYL CURTAIN DOORS

Base Cab curtain doors feature zippers and straps that allow the doors to be rolled up and secured as desired

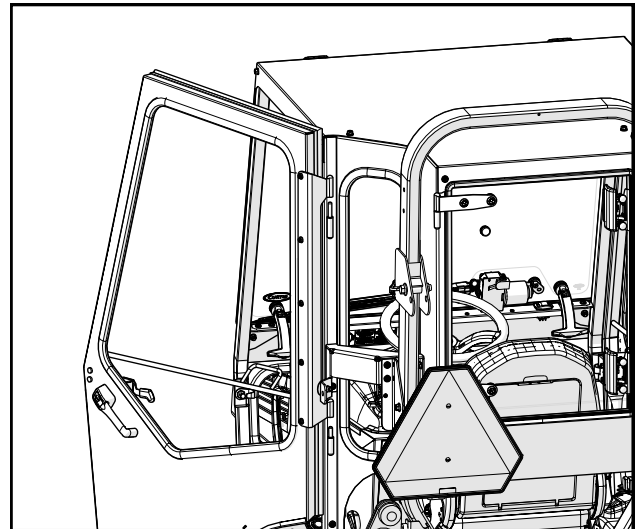
Curtain doors include magnets at the bottom to help secure the curtain against the cab floorboard.

VINYL REAR CURTAIN

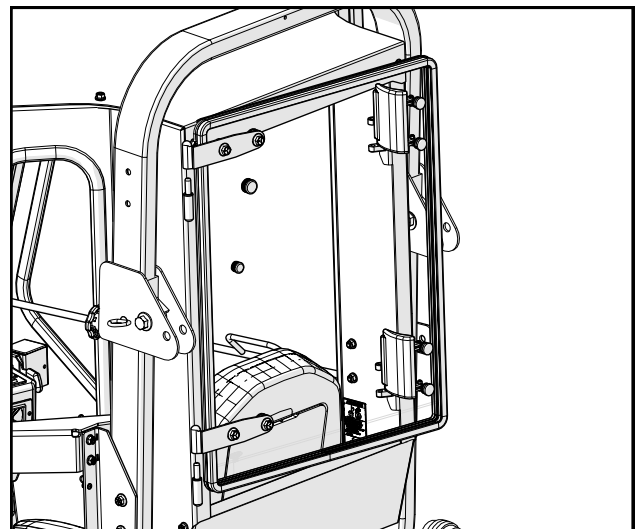
Rear curtains include straps at the top that allow the curtain to be rolled up and secured.



Pop-Out Windshield



Lift-Off Doors



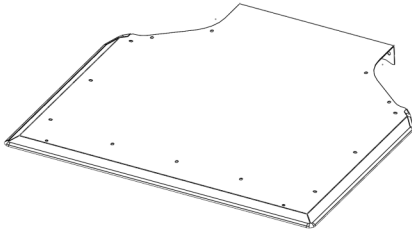
Removable Rear Window

CARE AND MAINTENANCE

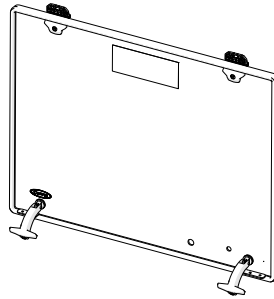
- Re-apply lubrication (preferably grease) periodically as needed to the door striker pins, door latch assemblies, and the door hinges.
- Check and tighten hardware after 40 hours of operation. Periodically inspect and tighten hardware for the remainder of the unit's life.
- Wash the painted surfaces of the cab with commercial automotive cleaning products.
- Clean glass windows with glass cleaner. *Note: Some windows on the cab are acrylic. DO NOT* clean acrylic windows with harsh chemicals. It will damage the plastic. Mild soap and water should be used on all acrylic windows.
- Vinyl components should be washed with a mild solution of warm soapy water.

KUBOTA BX80 CAB SERVICE PARTS

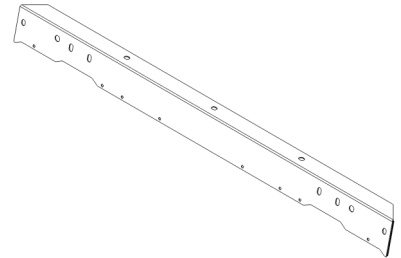
ROOF ASSEMBLY
P/N: 8SV-101-00046



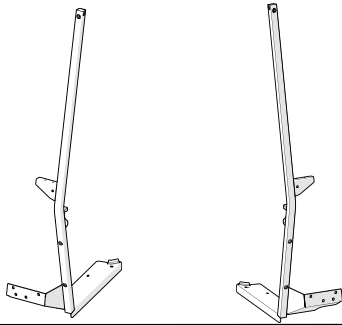
WINDSHIELD ASSEMBLY, 40" X 31.19"
P/N: 8SV-102-00023



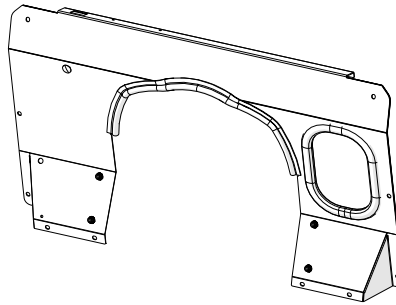
WINDSHIELD SUPPORT ASSEMBLY
P/N: 8SV-103-00018



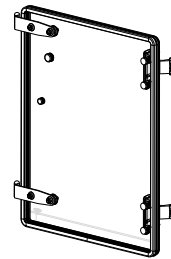
A-PILLAR ASSEMBLY, LEFT & RIGHT
P/N: 8SV-104-00022-L
P/N: 8SV-104-00022-R



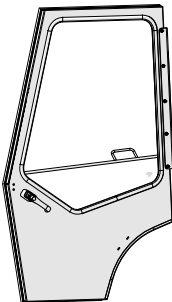
COWL ASSEMBLY
P/N: 8SV-105-00018



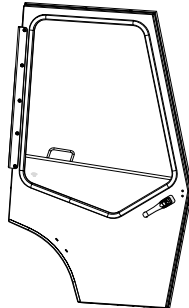
GLASS REAR PANEL LIFT OFF,
27.00 X 20.88, 3/16" THICK
P/N: 8SV-106-00024



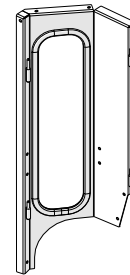
DOOR ASSEMBLY, LEFT
P/N: 8SV-107-00027-L



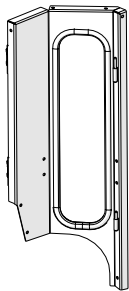
DOOR ASSEMBLY, RIGHT
P/N: 8SV-107-00027-R



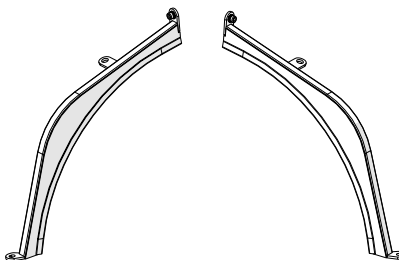
REAR LEG ASSEMBLY, LEFT
P/N: 8SV-108-00014-L



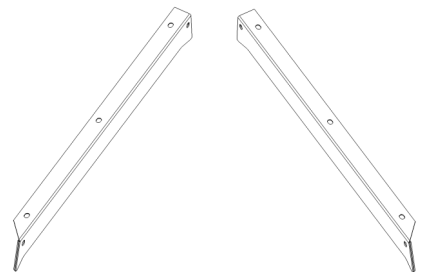
REAR LEG ASSEMBLY, RIGHT
P/N: 8SV-108-00014-R



CONTOUR ASSEMBLY, LEFT & RIGHT
P/N: 8SV-113-00121-L
P/N: 8SV-113-00121-R

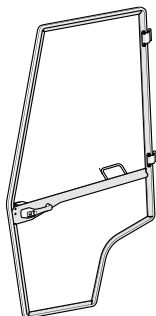


DOOR HEADER ASSEMBLY, LEFT & RIGHT
P/N: 8SV-113-00167-L
P/N: 8SV-113-00167-R

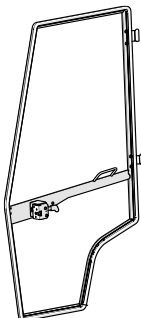


KUBOTA BX80 CAB SERVICE PARTS

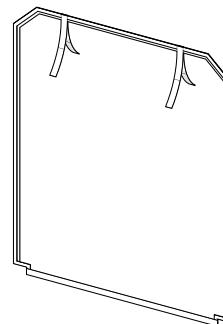
VINYL HINGED DOOR, LEFT
P/N: 8SV-107-00044-L



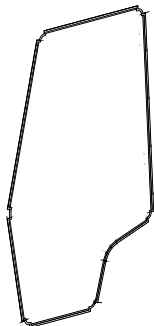
VINYL HINGED DOOR, RIGHT
P/N: 8SV-107-00044-R



UPPER REAR CURTAIN
P/N: 8SV-112-00059



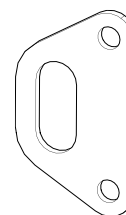
VINYL DOOR SKIN, LEFT
P/N: 8SV-112-00057-L



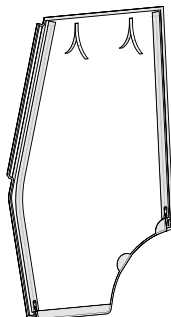
VINYL DOOR SKIN, RIGHT
P/N: 8SV-112-00057-R



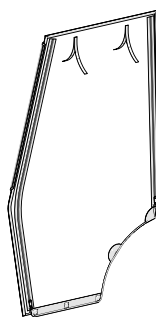
STRIKER MOUNTING PLATE
P/N: 8SV-SM-01900-O



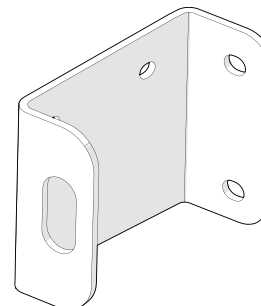
VINYL CURTAIN DOOR, LEFT
P/N: 8SV-112-00058-L



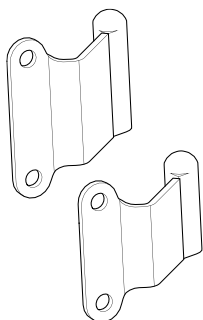
VINYL CURTAIN DOOR, RIGHT
P/N: 8SV-112-00058-R



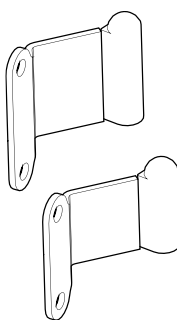
STRIKER BRACKET
P/N: 8SV-SM-01937



VINYL DOOR HINGE KIT, TOP & BOTTOM,
LEFT P/N: 8SV-HKWCA-O-L

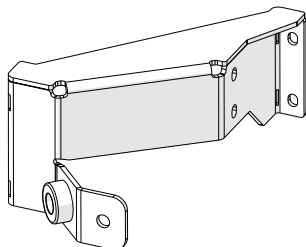


VINYL DOOR HINGE KIT, TOP & BOTTOM,
RIGHT P/N: 8SV-HKWCA-O-R

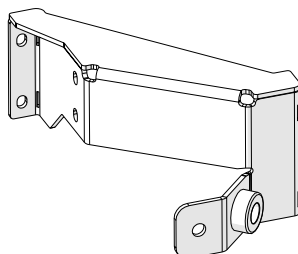


KUBOTA BX80 CAB SERVICE PARTS

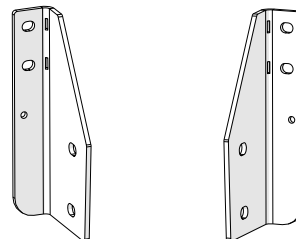
REAR LIGHT MOUNT, LEFT
P/N: 8SV-110-00048-L



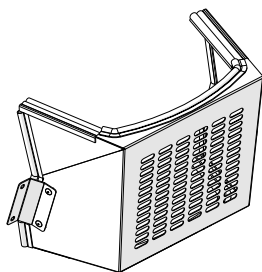
REAR LIGHT MOUNT, RIGHT
P/N: 8SV-110-00048-R



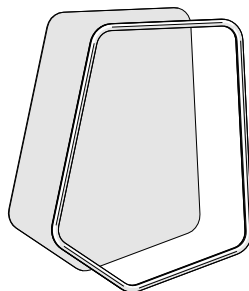
ROPS BRACKET, LEFT & RIGHT
P/N: 8SV-SM-01006-L
P/N: 8SV-SM-01006-R



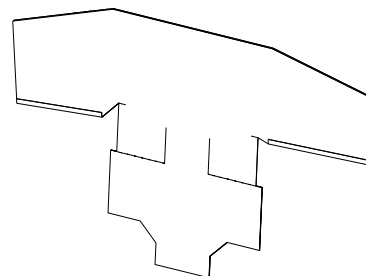
RADIATOR SHROUD
P/N: 8SV-111-00021



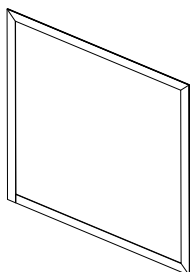
DOOR WINDOW WITH RUBBER
P/N: 8SV-9GL-00044



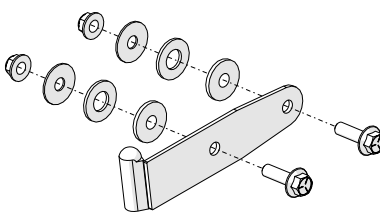
REAR FILLER
P/N: 8SV-112-00034



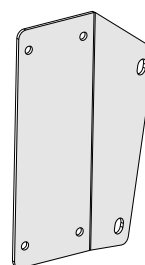
RADIATOR SHROUD COVER
P/N: 8SV-112-00033



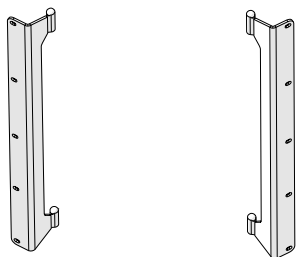
GLASS HINGE SLEEVE WITH
MOUNTING HARDWARE
P/N: 8SV-PL-00021



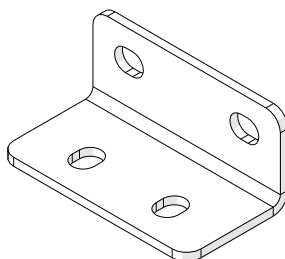
HEATER BRACKET
P/N: 8SV-SM-01010



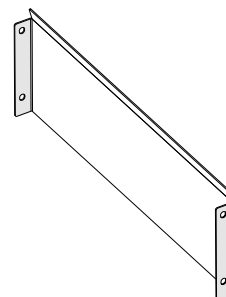
DOOR HINGE, LEFT & RIGHT
P/N: 8SV-WA00185L-O
P/N: 8SV-WA00185R-O



FLOORBOARD BRACKET
P/N: 8SV-SM-01011

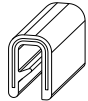




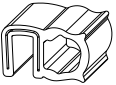

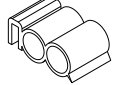
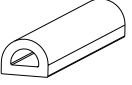


LOWER REAR PANEL
P/N: 8SV-SM-01072



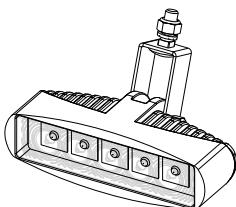
ADDITIONAL SERVICE PARTS

PART NUMBER	DESCRIPTION
8SV-P-00078	COWL WINDOW WITH RUBBER
8SV-P-00079	REAR LEG WINDOW WITH RUBBER
9SV-DP11	DOME PLUG 1/2" (BAG OF 10)
9SV-DP10	DOME PLUG 3/8" (BAG OF 10)
9SV-HWS	WINDSHIELD HINGE KIT
9BLK01	WINDSHIELD HINGE BLOCK SPACER, TALL STYLE, 3/4" THICK
9PWM110	WIPER MOTOR, 110 DEGREE
9PWB20-FB	WIPER BLADE, 20", FLEX
9PWA14-16	WIPER ARM, ADJUSTABLE LENGTH (11" - 16")
9PWK-HB	GLASS MOUNTING KIT FOR WIPER SYSTEMS
9SV-DSTRH	DOOR STRIKER KIT-INCLUDES CASE HARDENED STRIKER BOLT
9SV-IHRL	INSIDE HANDLE ROTARY LATCH KIT (INCL. L & R)
9SV-OHRL	OUTSIDE HANDLE ROTARY LATCH KIT (SET OF 2)
9SV-9PHW010-W	HINGE WASHER, KIT (SET OF 4) OD .635, ID .41, THK .08
9PI01	POLY INSERT 1", 14-20 GA BLK MATTE, INSERT FINES .94/.95 (QTY.: 1)
9PI02	POLY INSERT 3/4", 14-20 GA BLK MATTE FINISH, INSERT FINES 0.69 (QTY.: 1)
9SV-WL1	WINDSHIELD LATCH KIT 1, POPS OPEN W/S FOR VENTING ONLY
8SV-WL3	WINDSHIELD LATCH & BRKT ASS'Y. SGL POST (SET OF L&R)
9SV-VM01	5/8" THICK RUBBER BUMPER (2)
9SV-9DPSB	HEATER HOSE BUSHINGS, SNAP BUSHING, .750" X 1.093" (QTY.: 1)
8SV-9HR-00001-5	NYLON SLEEVING, 2.38" I.D., 5' LENGTH
9SV-9HR-00008	THERMOSTAT SPACER, BX80 HEATER
9SV-9HR0039	90 DEGREE HEATER HOSE ELBOW 5/8" BARBED ENDS
9SV-9HR0042	1" TEE FITTING
9SV-9HR0045	BLOCK ADAPTER (3/8" NIPPLE)
9SV-9HR00601.0	HOSE CLAMPS #10 (1") (QTY.: 6)
9SV-9HR00601.5	HOSE CLAMPS #16 (1.5") (QTY.: 2)
9SV-UHTRILV	UNIVERSAL HEATER IN-LINE VALVE (SET OF 2)
9SV-9HR0048	ROCKER SWITCH (HI-OFF-LOW)
9SV-9HR-L	REPLACEMENT LOUVER-15,000 & 20,000 BTU HEATER, KL47
8SV-9PH20WG	TUCK-AWAY HEATER WITH WIRED GROUND
9SV-HRH61-20	HEATER HOSE (5/8" I.D.)-20 FT
9PH20-2	FAN 120 x 120 x 38 12VDC 12W 3200 RPM
9SV-WH-00072	WIRING HARNESS POWER
9SV-WH-00090	WIRING HARNESS, REAR LIGHT
8SV-WH-GF	WIRE HARNESS, GLASS FUSE
9DL01H	KEYS, SET OF 2 ON A RING, FOR HANDLE 1096-1, KEY CODE C40

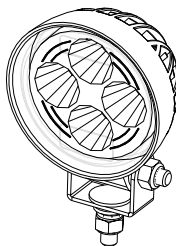
TRIM LOK, STD, 1/16" - 1/8" GRIP	5/8" STD BULB, 1/16" GRIP	ARCH PSA RUBBER	WINDOW RUBBER	1" STD BULB, 1/16" GRIP	3/4" SIDE BULB, 1/4" GRIP	5/8" SIDE BULB, 1/4" GRIP	1-1/2" DOUBLE SIDE BULB	ARCH PSA .2 X .15
								
9SV-PRO1-10	9SV-PRO2-15	9SV-PRO9-10	9SV-PR10-10	9SV-PR19-10	9SV-PR38-15	9SV-PR23-15	9SV-PR41-5	9SV-PR53-15

OPTIONAL ACCESSORIES FOR KUBOTA BX80 CAB

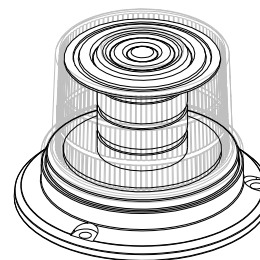
FRONT LED WORK LIGHTS (P/N: 9LEDW4)



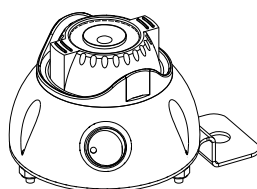
REAR LED WORK LIGHTS (P/N: 9LEDW3)



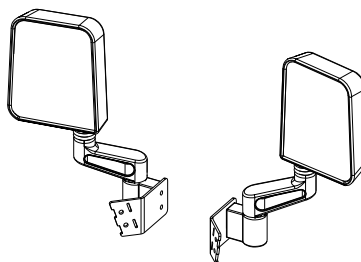
STROBE LIGHT (P/N: 9LEDS2)



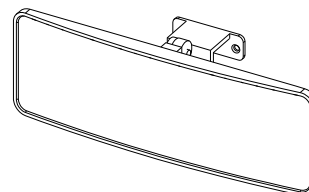
DOME LIGHT (P/N: 9LEDD14)



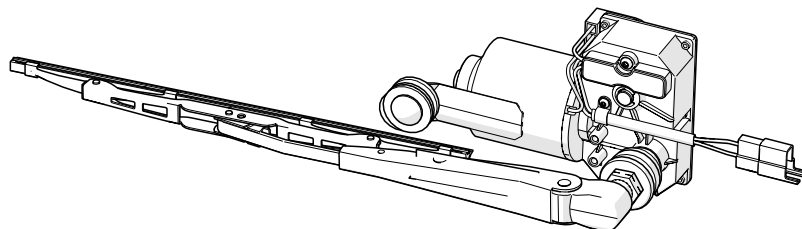
SIDE VIEW MIRRORS (P/N: 9PM5)



REAR VIEW MIRROR (P/N: 9PM3)



REAR WIPER KIT, 85 DEG W/ 12" FLEX BLADE (P/N: 9PWK8512F9-11A)



SEAL KIT (P/N: 9SK3)

