



DOOR SETS (1 LEFT AND 1 RIGHT) (COLOR: BLACK)

P/N:	FRONT/REAR:	TYPE:	VEHICLE FITMENT:	
KAF40T-003BLK	FRONT	HARD	MULE 4000	MULE 4000 T4
KAF40T-004BLK	REAR	HARD	X	MULE 4000 T4
KAF40T-005BLK	FRONT	SOFT	MULE 4000	MULE 4000 T4
KAF40T-006BLK	REAR	SOFT	X	MULE 4000 T4

INSTALLING DOORS

- A. Install the doors to the cab by sliding the hinge pins on the door into the hinge sleeves on the unitized side frame. Work the doors back and forth until the hinge sleeves are completely seated. Adjust hinges to align door with unitized side frame. See fig. A.
- B. Adjust rotary door latch and striker to compress the rubber seal all around the perimeter of the door. **NOTE: The door is equipped with a 2-position latch and should click twice when closed slowly for proper latching and door seal.** When adjustment is complete, re-tighten all hardware.
- C. Install door stop cable to the top of the door and the top of the unitized side frame (see fig. C.). Use 5/16-18 x 3/4" long bolts, 5/16" lock-nuts, and 5/16" flat washers, included in the hardware kit. Leave 1/4 turn loose for free rotation of the cable. **NOTE:** Lubricate rotary latch and plunger often with spray lubricant.

NOTE: Re-tighten all bolts after 40 hours of operation and every 100 hours thereafter.



Fig. A (front hard door, left)

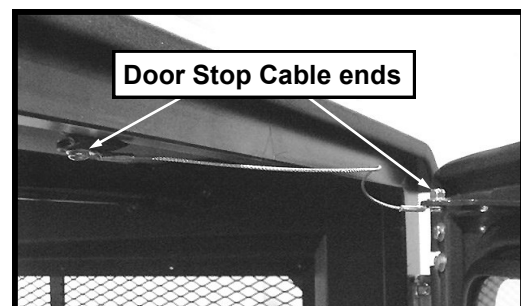
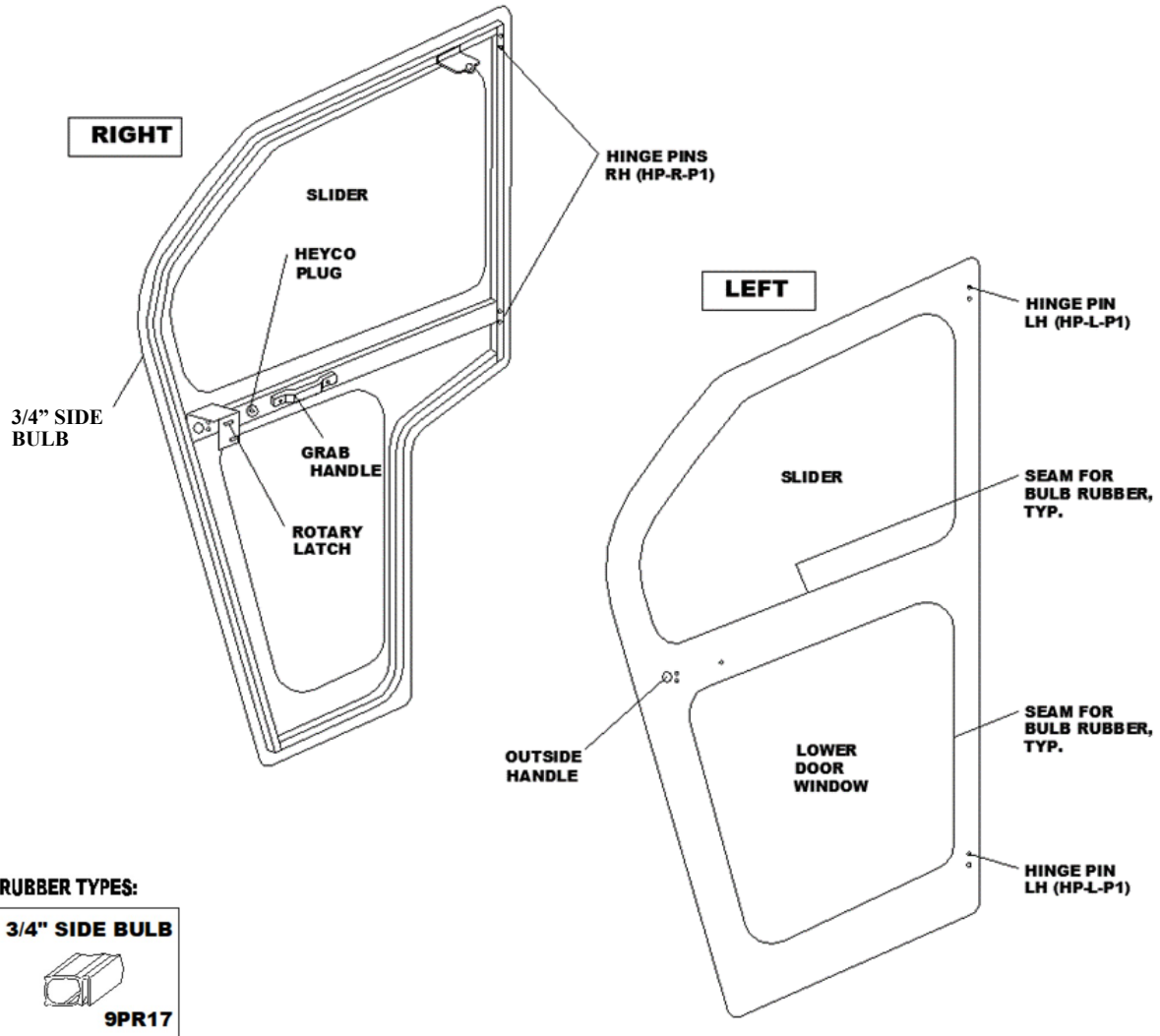


Fig. C



SERVICE PARTS LIST

HARD SIDED DOORS:	QTY.	P/N (BLACK)
LEFT FRONT DOOR	1	8SV-KAT419LDBLK
RIGHT FRONT DOOR	1	8SV-KAT419RDBLK



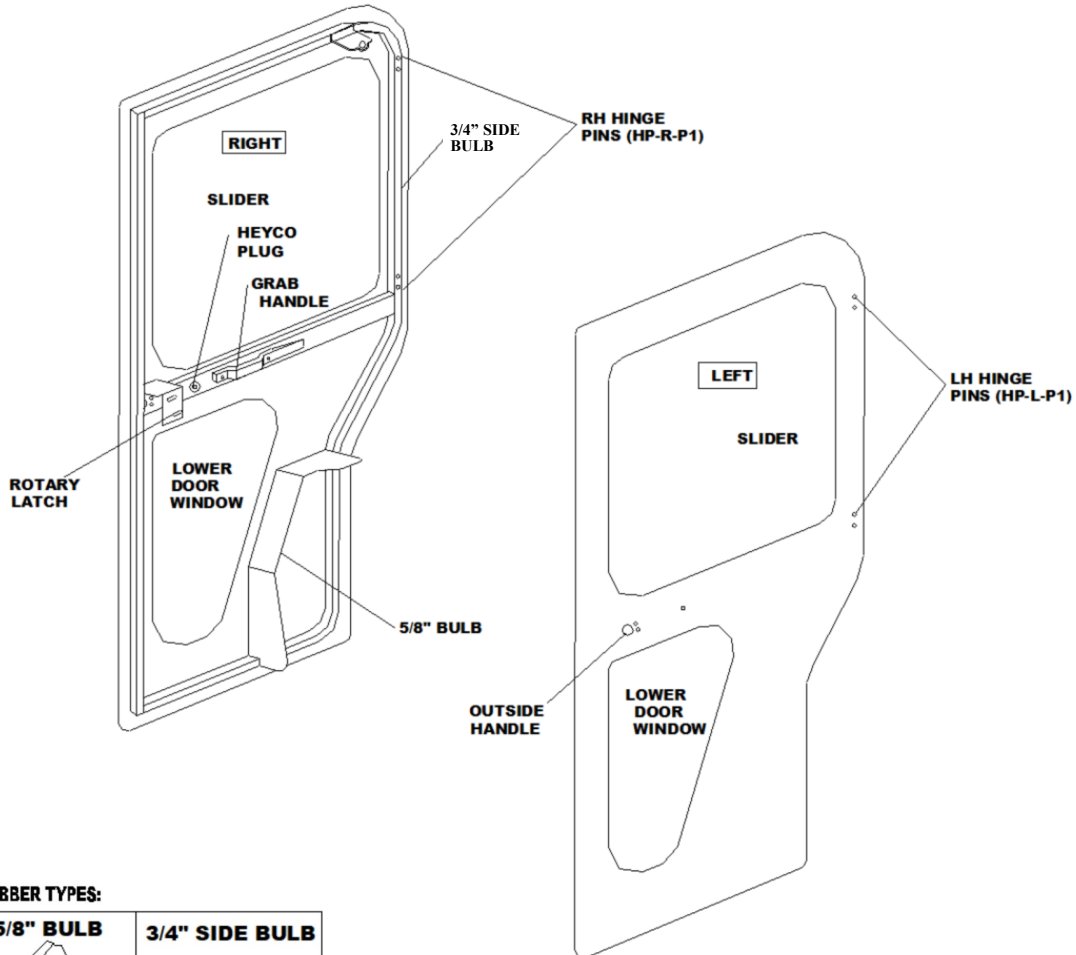
ADDITIONAL SERVICE PARTS:

QTY/DOOR:	P/N:	DESCRIPTION:
1	8SV-9SW-M3L	SLIDING WINDOW, LEFT
1	8SV-9SW-M3R	SLIDING WINDOW, RIGHT
1	8SV-PG-3000LD	LOWER DOOR WINDOW
2	9SV-HSLP	LOW PROFILE HINGE SET (2L + 2R)
1	9SV-IHRL	INTERIOR ROTARY DOOR LATCH, (1L + 1R)
1	9SV-OHRL	OUTSIDE HANDLE W/KEYS (SET OF 2)
1	9SV-GH	INTERIOR GRAB HANDLE (SET OF 2)
1	9SV-DS02-2	CABLE DOOR STOP (SET OF 2)
1	9SV-DP02	1" DOME PLUG (BAG OF 15)
172"	9SV-PR17-20	3/4" SIDE BULB RUBBER (20' LONG)

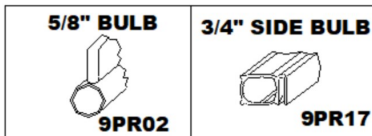


SERVICE PARTS LIST

HARD SIDED DOORS:	QTY.	P/N (BLACK)
LEFT REAR DOOR	1	8SV-KAT4022LBLK
RIGHT REAR DOOR	1	8SV-KAT4022RBLK



RUBBER TYPES:

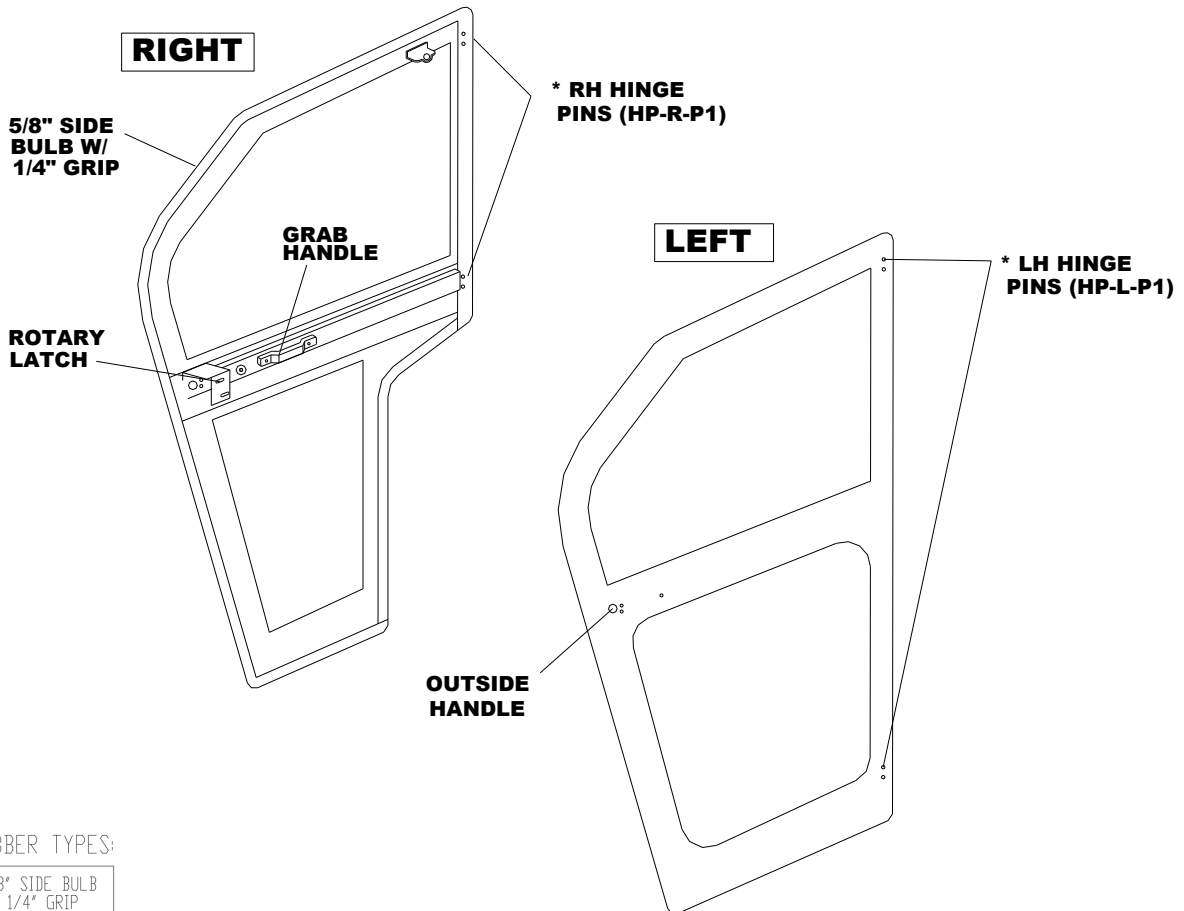


ADDITIONAL SERVICE PARTS:		
QTY/DOOR:	P/N:	DESCRIPTION:
1	9SW-L	SLIDING WINDOW, LARGE
1	8SV-PGKAT4LDR	LOWER DOOR WINDOW
2	9SV-HSLP	LOW PROFILE HINGE SET (2L + 2R)
1	9SV-IHRL	INTERIOR ROTARY DOOR LATCH, (1L + 1R)
1	9SV-OHRL	OUTSIDE HANDLE W/KEYS (SET OF 2)
1	9SV-GH	INTERIOR GRAB HANDLE (SET OF 2)
1	9SV-DS02-2	CABLE DOOR STOP (SET OF 2)
1	9SV-DP02	1" DOME PLUG (BAG OF 15)
169"	9SV-PR17-20	3/4" SIDE BULB RUBBER (20' LONG)
27"	9SV-PRO2-5	5/8" BULB RUBBER (5' LONG)



SERVICE PARTS LIST

SOFT SIDED DOORS:	QTY.	P/N (BLACK)
LEFT FRONT DOOR	1	8SV-KA4T4-20LBL
RIGHT FRONT DOOR	1	8SV-KA4T4-20RBL



RUBBER TYPES:

5/8" SIDE BULB
W/ 1/4" GRIP



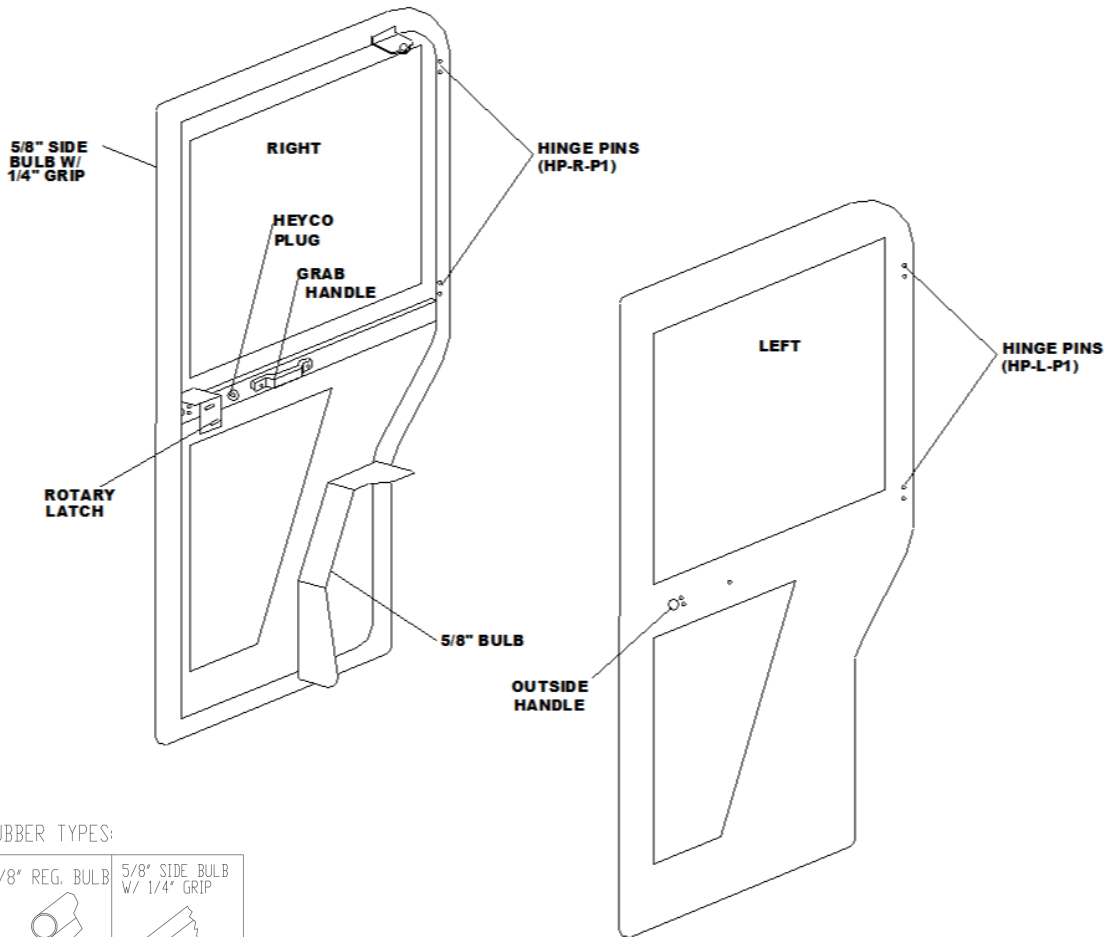
ADDITIONAL SERVICE PARTS:

QTY/DOOR:	P/N:	DESCRIPTION:
1	KAT4-21LBLK	VINYL SKIN, LEFT, BLACK
1	KAT4-21RBLK	VINYL SKIN, RIGHT, BLACK
2	9SV-HSLP	LOW PROFILE HINGE SET (2L + 2R)
1	9SV-IHRL	INTERIOR ROTARY DOOR LATCH, (1L + 1R)
1	9SV-OHRL	OUTSIDE HANDLE W/KEYS (SET OF 2)
1	9SV-GH	INTERIOR GRAB HANDLE (SET OF 2)
1	9SV-DS02-2	CABLE DOOR STOP (SET OF 2)
1	9SV-DP02	1" DOME PLUG (BAG OF 15)
172"	9SV-PR23-15	5/8" SIDE BULB WITH 1/4" GRIP (15' LONG)

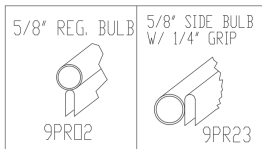


SERVICE PARTS LIST

SOFT SIDED DOORS:	QTY.	P/N (BLACK)
LEFT REAR DOOR	1	8SV-KA4T4-23LBL
RIGHT REAR DOOR	1	8SV-KA4T4-23RBL



RUBBER TYPES:



ADDITIONAL SERVICE PARTS:

QTY/DOOR:	P/N:	DESCRIPTION:
1	KAT4-24LBLK	VINYL SKIN, LEFT, BLACK
1	KAT4-24RBLK	VINYL SKIN, RIGHT, BLACK
2	9SV-HSLP	LOW PROFILE HINGE SET (2L + 2R)
1	9SV-IHRL	INTERIOR ROTARY DOOR LATCH, (1L + 1R)
1	9SV-OHRL	OUTSIDE HANDLE W/KEYS (SET OF 2)
1	9SV-GH	INTERIOR GRAB HANDLE (SET OF 2)
1	9SV-DS02-2	CABLE DOOR STOP (SET OF 2)
1	9SV-DP02	1" DOME PLUG (BAG OF 15)
169"	9SV-PR23-15	5/8" SIDE BULB WITH 1/4" GRIP (15' LONG)
27"	9SV-PRO2-5	5/8" BULB RUBBER WITH 1/16" GRIP (5' LONG)